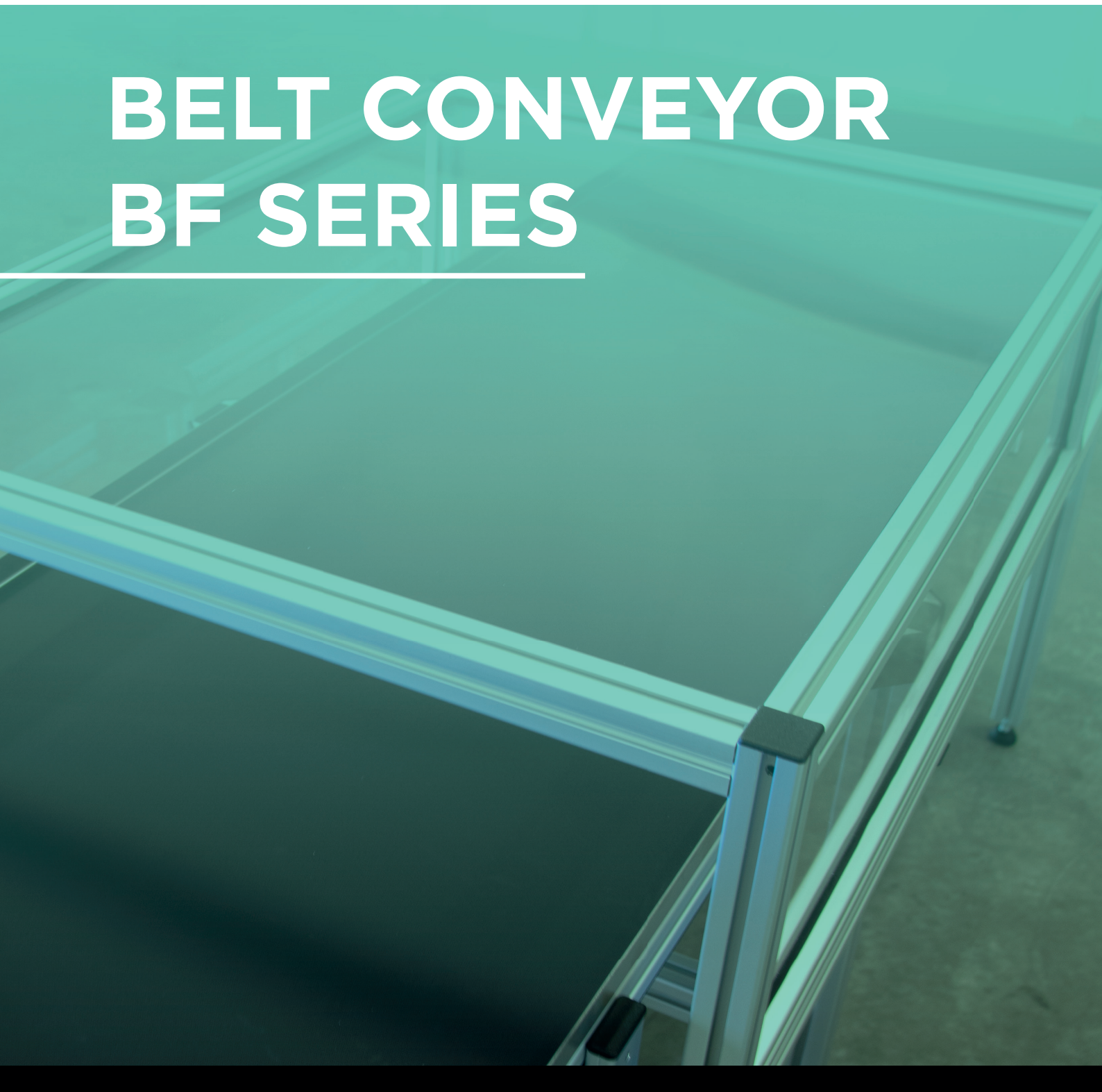


ROLLCO

BELT CONVEYOR BF SERIES

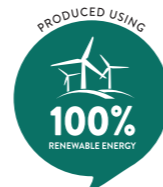


Index

PRODUCT OVERVIEW	5
Declaration of Conformity	5
BELT CONVEYOR TYPES	6
BF40E	6
BF40EIK	8
BF40M	10
BF40MDK	12
BF40MIK	14
BF40MOK	16
BF80E	18
MOTOR	20
Position of Motor	20
Motor Dimensions	21
Drive Holder Dimensions	21
BELTS	22
Standard Belt Types	22
Belt Tension	22
Belt Properties	24
Belt Profiles	24
Tracking Guides	25
CONVEYOR STANDS	26
Conveyor Stand Dimensions	26
Conveyor Stand Accessories	28
Castors	28
Feet	28
Foot Plates	29
Attachments	29
Conveyor Belt Covers	29
Conveyor Guides	30
Adjustable Side Support	30
Side Support Alu	30
1 Bent Side	31
2 Bent Sides	31
CONVEYOR OPTIONS	32
Support Kits	32
Special Solutions	32
ORDER CODE	33
BELT CONVEYOR EXAMPLES	35

Every care has been taken to ensure the accuracy of the information contained in this catalogue, but no liability can be accepted for any errors or omissions. We reserve the right to make changes without prior notice.

Any reproduction, even partial, is allowed only by written permission by Rollco.



Rollco Belt Conveyors

Here at Rollco we pride ourselves in being able to meet the needs of every customer as quickly and efficiently as possible, and our conveyor belt series is no exception.

As a standard, the conveyor series is built upon an aluminium profile base with a stainless-steel slider bed and a mix of aluminum and steel components. We offer a wide range of standard belts. Should you need more specialized belts, please contact us. We have more options available to cover all requirements.

Drive pulleys and head/ tail pulleys are generally trapezoidal crowned for belt tracking and are made from either aluminium or steel. Alternatively, or additionally, a guiding profile can be added to the belt.

The conveyors are available in two sizes, BF40 and the larger BF80. The size is often determined by the accumulated weight, size, or amount of the goods needed to be transported and are either end- or center-driven. Center-drives are always preferable for reversing operations.

All widths are available, however trending widths have been brought forward for better efficiency. Conveyor lengths are always made to order.



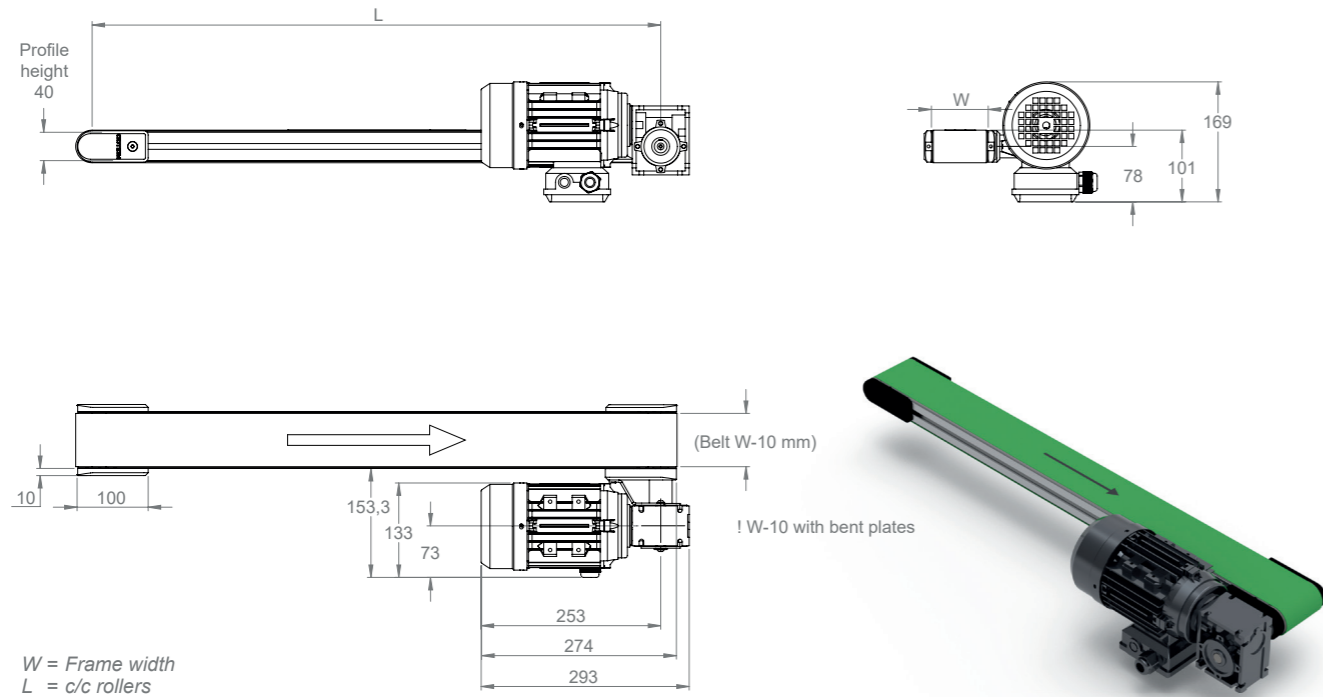
Declaration of Conformity

The BF conveyor series conveyor is a partly completed machine and follows the machinery directive 2006/42/EC Annex II 1B. Therefore, responsibility lies with the consumer to complete the risk assessment for his/her application according to the machine directive.

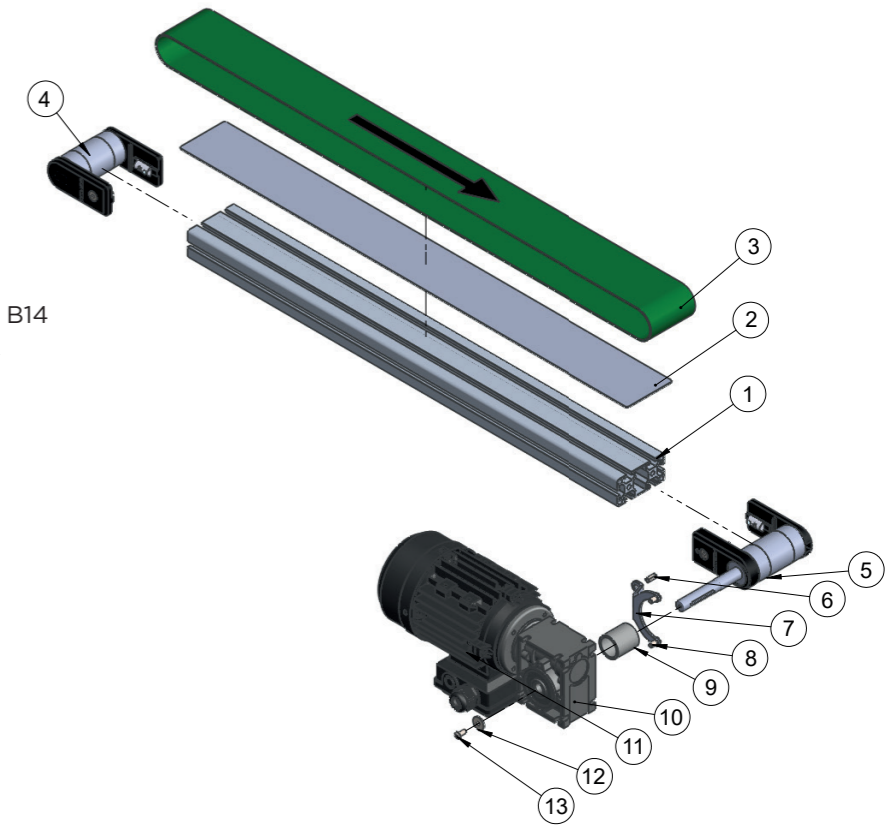
BF40E

End drive

Recommended max. load 75 kg. Recommended max load is evenly spread over the entire conveyor and is in relation to a nominal width and length.



1. Frame
2. Plate
3. Belt
4. BF40-Tail-Fix
5. BF40E-Drive-Fix
6. Pin FRP 6x14 ISO13337
7. 40Torque rod, BF40
8. PS1250 Screw K6S M6x12
9. Distance BF40
10. SB030 63B14 H14
11. MS63B-4 0,18kW 230/400V B14
12. Washer KB 5,3x20x1,25 A2K
13. PS1195 Screw K6S M5x12



This table shows a selection of standard conveyor sizes. Given speeds are based on using an MS63B-4 with the appropriate SB030 gear.

Width (mm)	Length (mm)	Gear ratio (I)	Speed (m/min)	Drive side	Motor position
40	Up to 4000	5	37 (37,3)	Right/left	Horizontal/vertical 1-4
80		7,5	25 (24,9)		
120		10	19 (18,7)		
160		15	12 (12,4)		
200		20	9 (9,4)		
250		25	8 (7,5)		
300		30	6 (6,2)		
350		40	5 (4,7)		
400		50	4 (3,7)		

For other dimensions please contact Rollco.

This table shows a selection of standard motors available for our BF40 series.

Motor type	Voltage (V)	Power (kW)	Frequency (Hz)	Current (A)	Speed (rpm)	Enclosure	Phase	Code
MS63A-4	230/400	0,12	50	0,82/0,47	1350	IP55	3	1
MS63B-4	230/400	0,18	50	1,18/0,68	1350	IP55	3	2
MS63C-4	230/400	0,25	50	1,58/0,91	1340	IP55	3	3
ML63B-4	230/400	0,18	50	1,36	1340	IP55	1	4

We can customise the drive shaft to accommodate many different motors and gear choices. Please contact Rollco for more information.

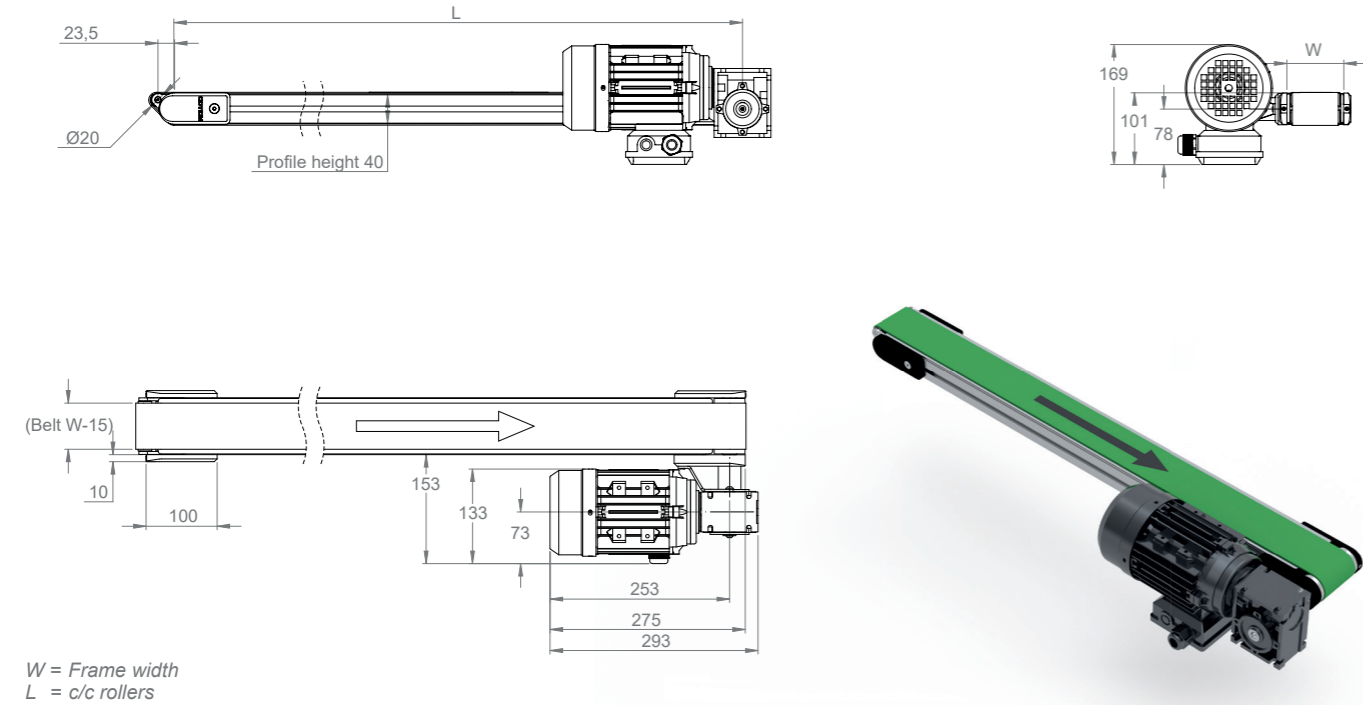
NOTE!

Other motors and frequency converters are available on request. Individual motors are not tested. Motors and gears are not assembled to the unit.

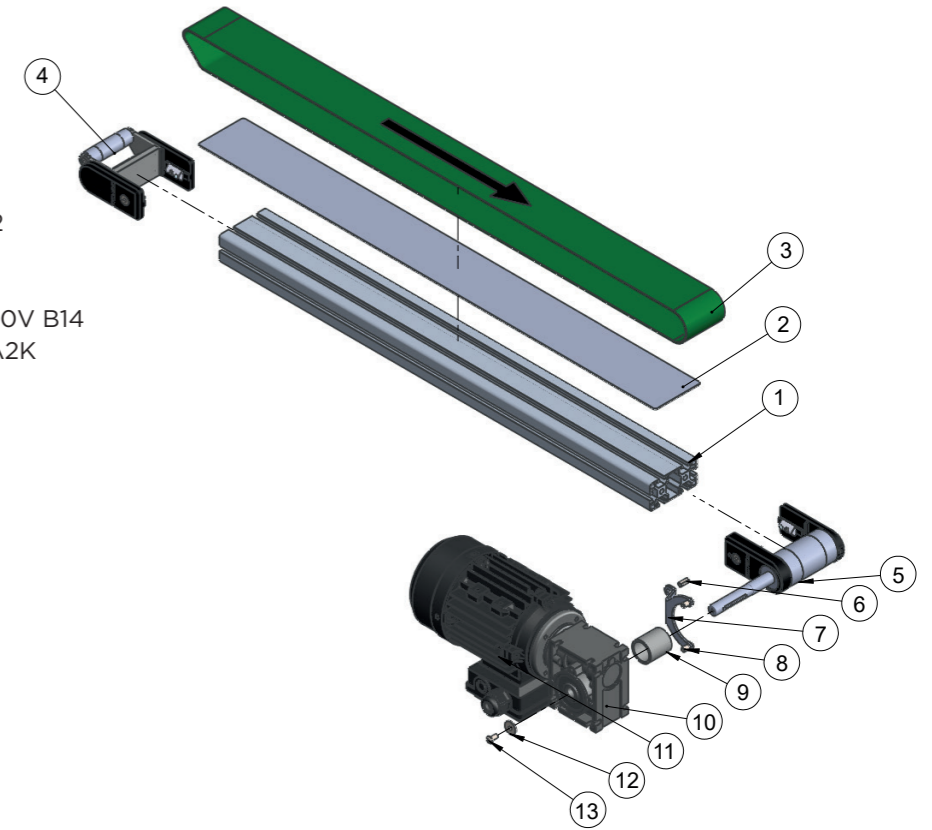
BF40EIK

End drive, In feed Knife edge

Recommended max. load 75 kg. Recommended max load is evenly spread over the entire conveyor and is in relation to a nominal width and length.



1. Frame
2. Plate
3. Belt
4. BF40-Tail-Fix
5. BF40E-Drive-Fix
6. Pin FRP 6x14 ISO13337
7. 40Torque rod, BF40
8. PS1250 Screw K6S M6x12
9. Distance BF40
10. SBO30 7,5 63B14 H14
11. MS63B-4 0,18kW 230/400V B14
12. Washer KB 5,3x20x1,25 A2K
13. PS1195 Screw K6S M5x12



This table shows a selection of standard conveyor sizes. Given speeds are based on using an MS63B-4 with the appropriate SBO30 gear.

Width (mm)	Length (mm)	Gear ratio (I)	Speed (m/min)	Drive side	Motor position
40	Up to 4000	5	37 (37,3)	Right/left	Horizontal/vertical 1-4
80		7,5	25 (24,9)		
120		10	19 (18,7)		
160		15	12 (12,4)		
200		20	9 (9,4)		
250		25	8 (7,5)		
300		30	6 (6,2)		
350		40	5 (4,7)		
400		50	4 (3,7)		

For other dimensions please contact Rollco.

This table shows a selection of standard motors available for our BF40 series.

Motor type	Voltage (V)	Power (kW)	Frequency (Hz)	Current (A)	Speed (rpm)	Enclosure	Phase	Code
MS63A-4	230/400	0,12	50	0,82/0,47	1350	IP55	3	1
MS63B-4	230/400	0,18	50	1,18/0,68	1350	IP55	3	2
MS63C-4	230/400	0,25	50	1,58/0,91	1340	IP55	3	3
ML63B-4	230/400	0,18	50	1,36	1340	IP55	1	4

We can customise the drive shaft to accommodate many different motors and gear choices. Please contact Rollco for more information.

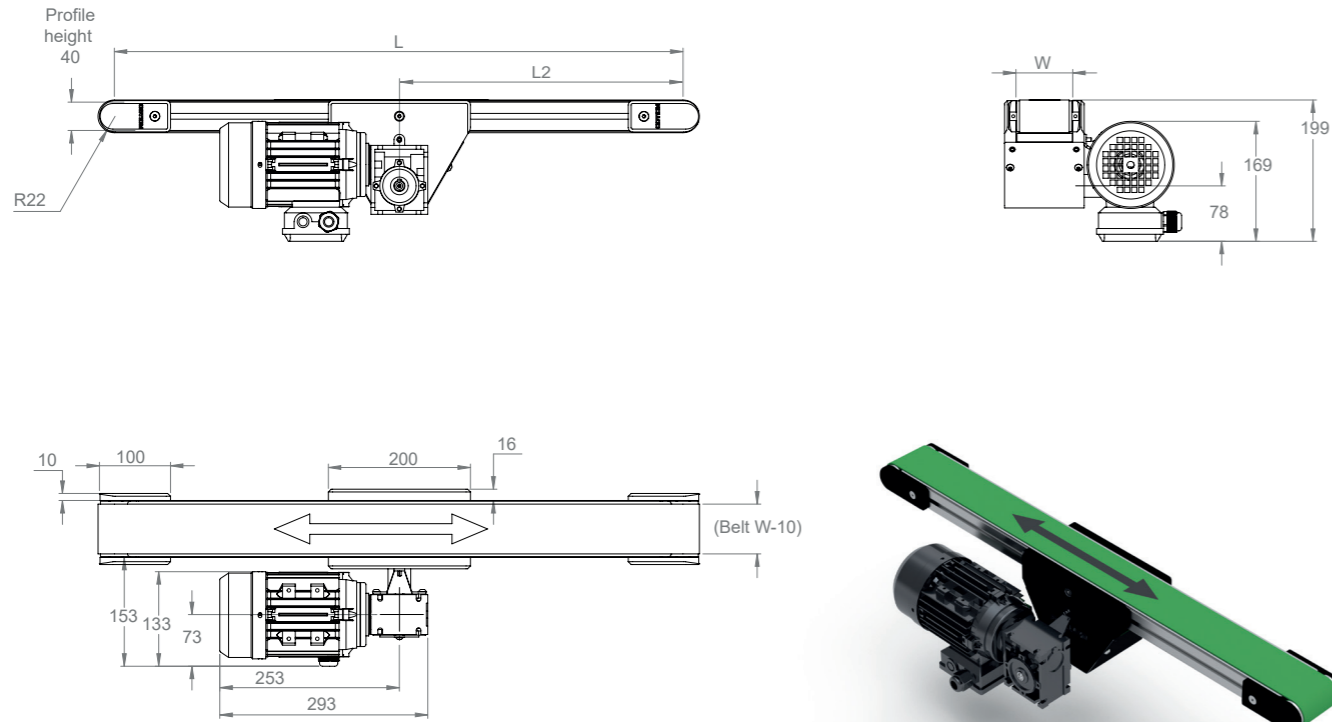
NOTE!

Other motors and frequency converters are available on request. Individual motors are not tested. Motors and gears are not assembled to the unit.

BF40M

Middle drive

Recommended max. load 75 kg. Recommended max load is evenly spread over the entire conveyor and is in relation to a nominal width and length.



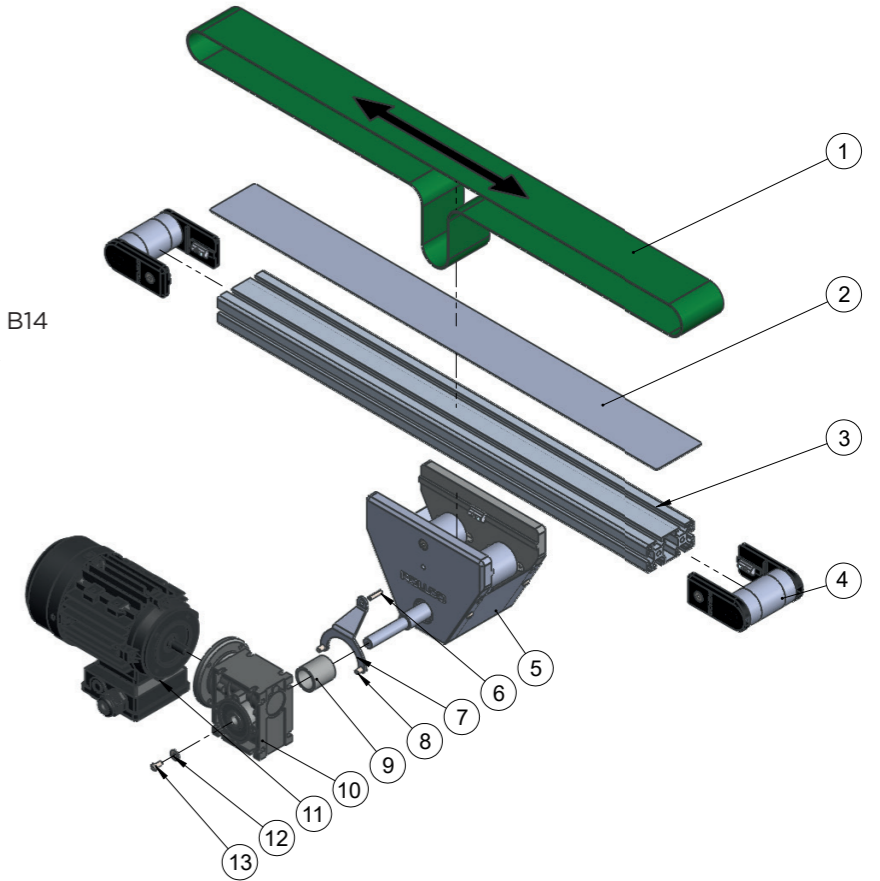
W = Frame width
L = c/c rollers

This table shows a selection of standard conveyor sizes. Given speeds are based on using an MS63B-4 with the appropriate SB030 gear.

Width (mm)	Length (mm)	Gear ratio (I)	Speed (m/min)	Drive side	Motor position
40	Up to 4000	5	37 (37,3)	Right/left	Horizontal/vertical 1-4
80		7,5	25 (24,9)		
120		10	19 (18,7)		
160		15	12 (12,4)		
200		20	9 (9,4)		
250		25	8 (7,5)		
300		30	6 (6,2)		
350		40	5 (4,7)		
400		50	4 (3,7)		

For other dimensions please contact Rollco.

1. Belt
2. Plate
3. Frame
4. BF40-Tail-Fix
5. BF40E-Drive-Fix
6. Pin
7. 40Torque rod, BF40
8. Screw
9. Distance BF40
10. SBO30 63B14 H14
11. MS63B-4 0,18kW 230/400V B14
12. Washer KB 5,3x20x1,25 A2K
13. PS1195 Screw K6S M5x12



This table shows a selection of standard motors available for our BF40 series.

Motor type	Voltage (V)	Power (kW)	Frequency (Hz)	Current (A)	Speed (rpm)	Enclosure	Phase	Code
MS63A-4	230/400	0,12	50	0,82/0,47	1350	IP55	3	1
MS63B-4	230/400	0,18	50	1,18/0,68	1350	IP55	3	2
MS63C-4	230/400	0,25	50	1,58/0,91	1340	IP55	3	3
ML63B-4	230/400	0,18	50	1,36	1340	IP55	1	4

We can customise the drive shaft to accommodate many different motors and gear choices. Please contact Rollco for more information.

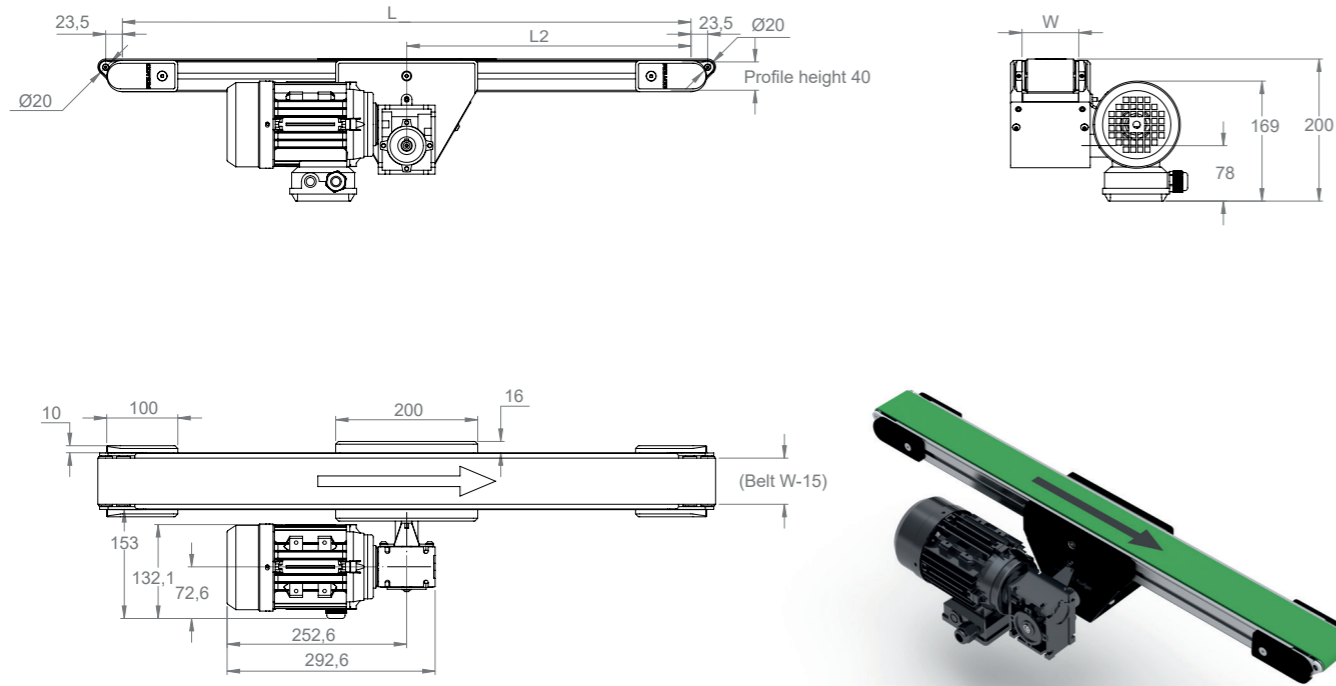
NOTE!

Other motors and frequency converters are available on request. Individual motors are not tested. Motors and gears are not assembled to the unit.

BF40MDK

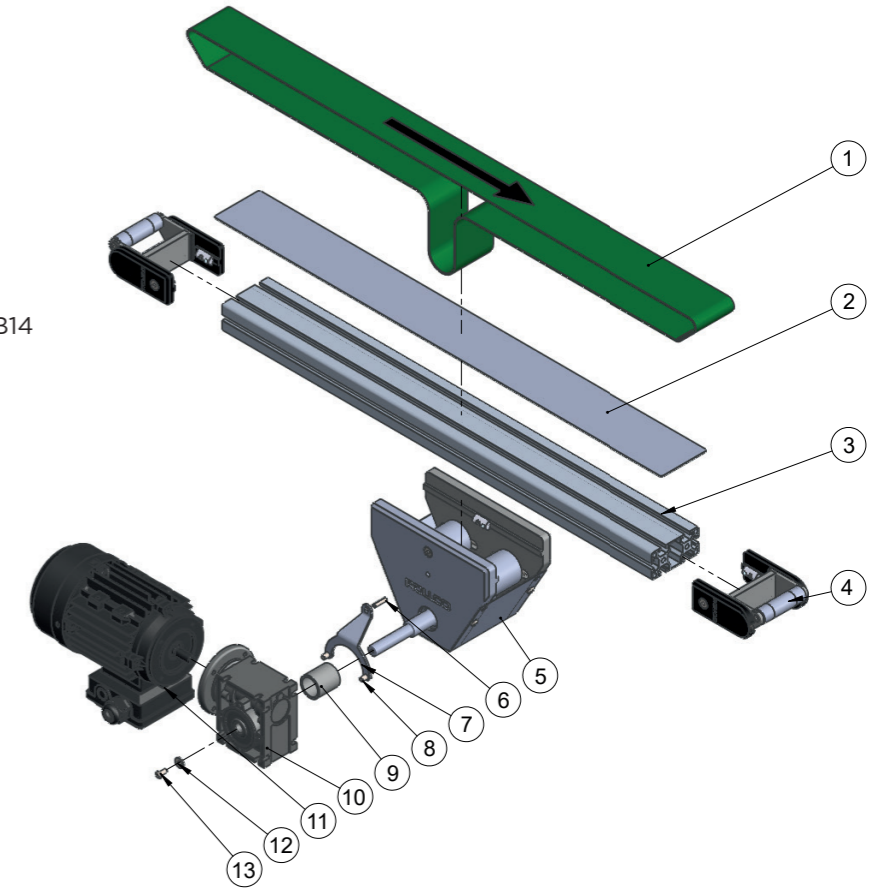
Middle drive, Double Knife edge

Recommended max. load 75 kg. Recommended max load is evenly spread over the entire conveyor and is in relation to a nominal width and length.



W = Frame width
L = c/c rollers

1. Belt
2. Plate
3. Frame
4. BF40-Tail-80Z-Fix
5. BF40M-Drive-Fix
6. Pin
7. 40Torque rod, BF40
8. Screw
9. Distance BF40
10. SBO30 63B14 H14
11. MS63B-4 0,18kW 230/400V B14
12. Washer KB 5,3x20x1,25 A2K
13. PS1195 Screw K6S M5x12



This table shows a selection of standard conveyor sizes. Given speeds are based on using an MS63B-4 with the appropriate SB030 gear.

Width (mm)	Length (mm)	Gear ratio (I)	Speed (m/min)	Drive side	Motor position
40	Up to 4000	5	37 (37,3)	Right/left	Horizontal/vertical 1-4
80		7,5	25 (24,9)		
120		10	19 (18,7)		
160		15	12 (12,4)		
200		20	9 (9,4)		
250		25	8 (7,5)		
300		30	6 (6,2)		
350		40	5 (4,7)		
400		50	4 (3,7)		

For other dimensions please contact Rollco.

This table shows a selection of standard motors available for our BF40 series.

Motor type	Voltage (V)	Power (kW)	Frequency (Hz)	Current (A)	Speed (rpm)	Enclosure	Phase	Code
MS63A-4	230/400	0,12	50	0,82/0,47	1350	IP55	3	1
MS63B-4	230/400	0,18	50	1,18/0,68	1350	IP55	3	2
MS63C-4	230/400	0,25	50	1,58/0,91	1340	IP55	3	3
ML63B-4	230/400	0,18	50	1,36	1340	IP55	1	4

We can customise the drive shaft to accommodate many different motors and gear choices. Please contact Rollco for more information.

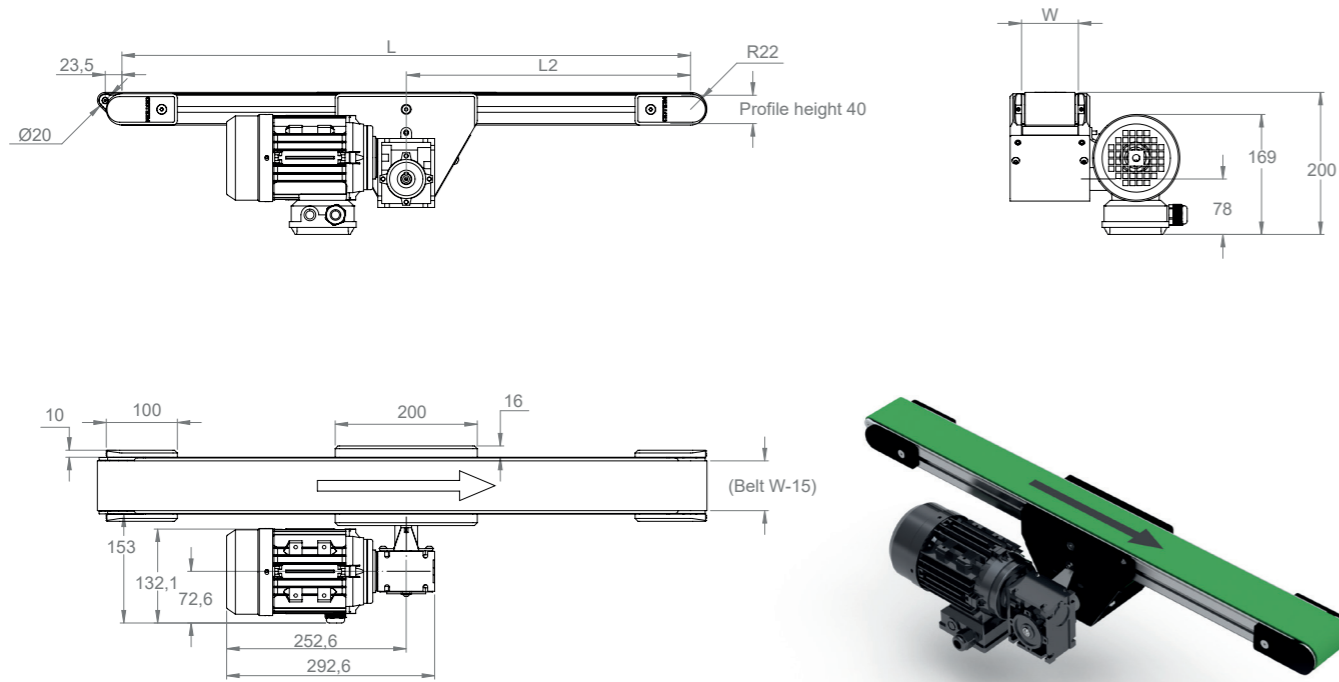
NOTE!

Other motors and frequency converters are available on request. Individual motors are not tested. Motors and gears are not assembled to the unit.

BF40MIK

Middle drive, In feed Knife edge

Recommended max. load 75 kg. Recommended max load is evenly spread over the entire conveyor and is in relation to a nominal width and length.



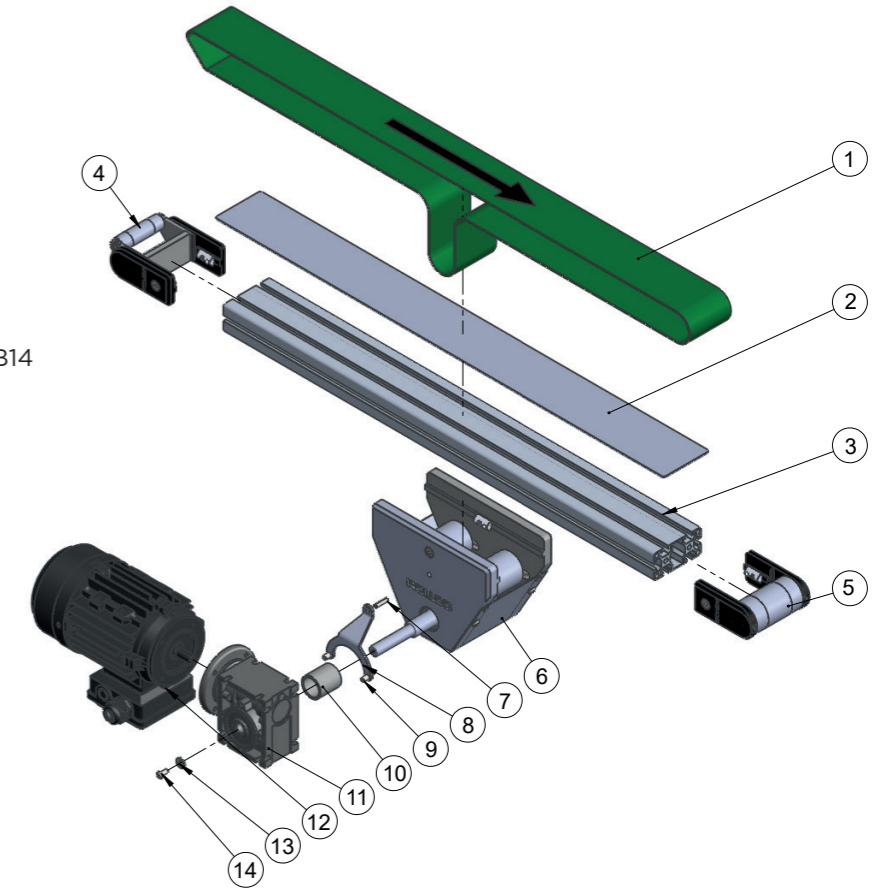
W = Frame width
L = c/c rollers

This table shows a selection of standard conveyor sizes. Given speeds are based on using an MS63B-4 with the appropriate SB030 gear.

Width (mm)	Length (mm)	Gear ratio (I)	Speed (m/min)	Drive side	Motor position
40	Up to 4000	5	37 (37,3)	Right/left	Horizontal/vertical 1-4
80		7,5	25 (24,9)		
120		10	19 (18,7)		
160		15	12 (12,4)		
200		20	9 (9,4)		
250		25	8 (7,5)		
300		30	6 (6,2)		
350		40	5 (4,7)		
400	50	4 (3,7)			

For other dimensions please contact Rollco.

1. Belt
2. Plate
3. Frame
4. BF40-Tail-80Z-Fix
5. BF40-Tail-Fix
6. BF40M-Drive-Fix
7. Pin
8. 40Torque rod, BF40
9. Screw
10. Distance BF40
11. SB030 63B14 H14
12. MS63B-4 0,18kW 230/400V B14
13. Washer KB 5,3x20x1,25 A2K
14. PS1195 Screw K6S M5x12



This table shows a selection of standard motors available for our BF40 series.

Motor type	Voltage (V)	Power (kW)	Frequency (Hz)	Current (A)	Speed (rpm)	Enclosure	Phase	Code
MS63A-4	230/400	0,12	50	0,82/0,47	1350	IP55	3	1
MS63B-4	230/400	0,18	50	1,18/0,68	1350	IP55	3	2
MS63C-4	230/400	0,25	50	1,58/0,91	1340	IP55	3	3
ML63B-4	230/400	0,18	50	1,36	1340	IP55	1	4

We can customise the drive shaft to accommodate many different motors and gear choices. Please contact Rollco for more information.

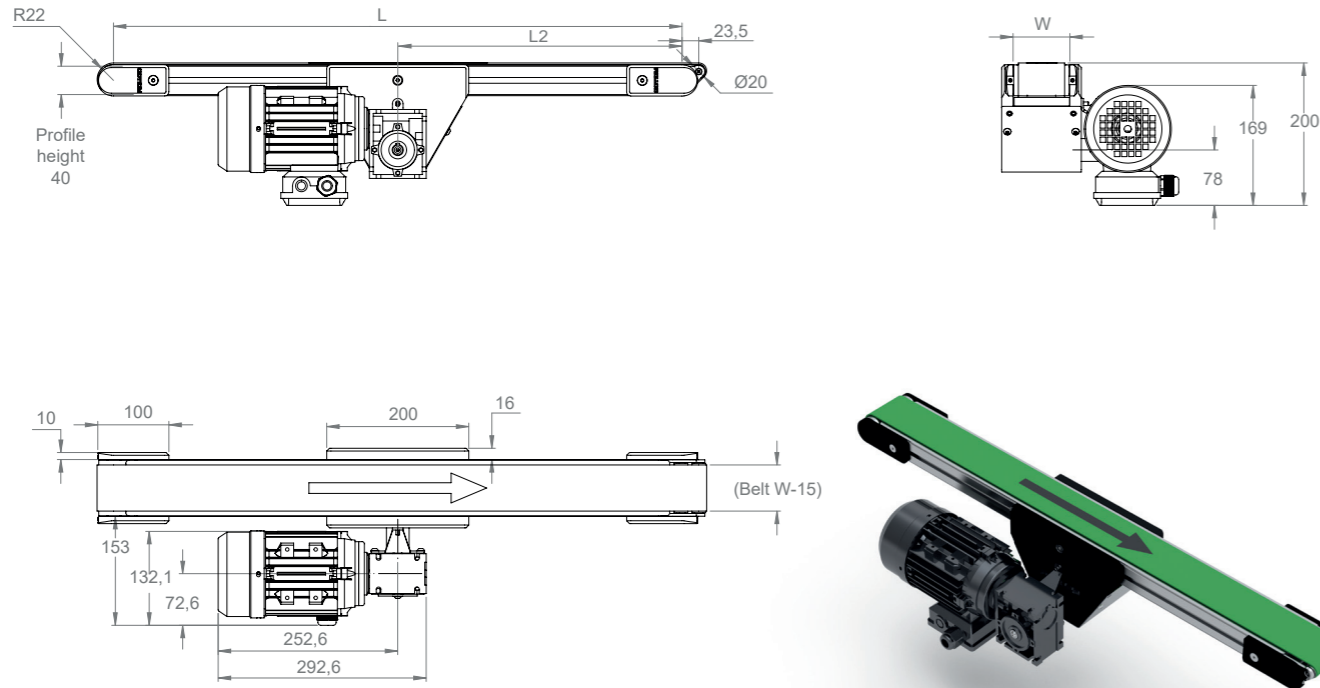
NOTE!

Other motors and frequency converters are available on request. Individual motors are not tested. Motors and gears are not assembled to the unit.

BF40MOK

Middle drive, Out feed Knife edge

Recommended max. load 75 kg. Recommended max load is evenly spread over the entire conveyor and is in relation to a nominal width and length.



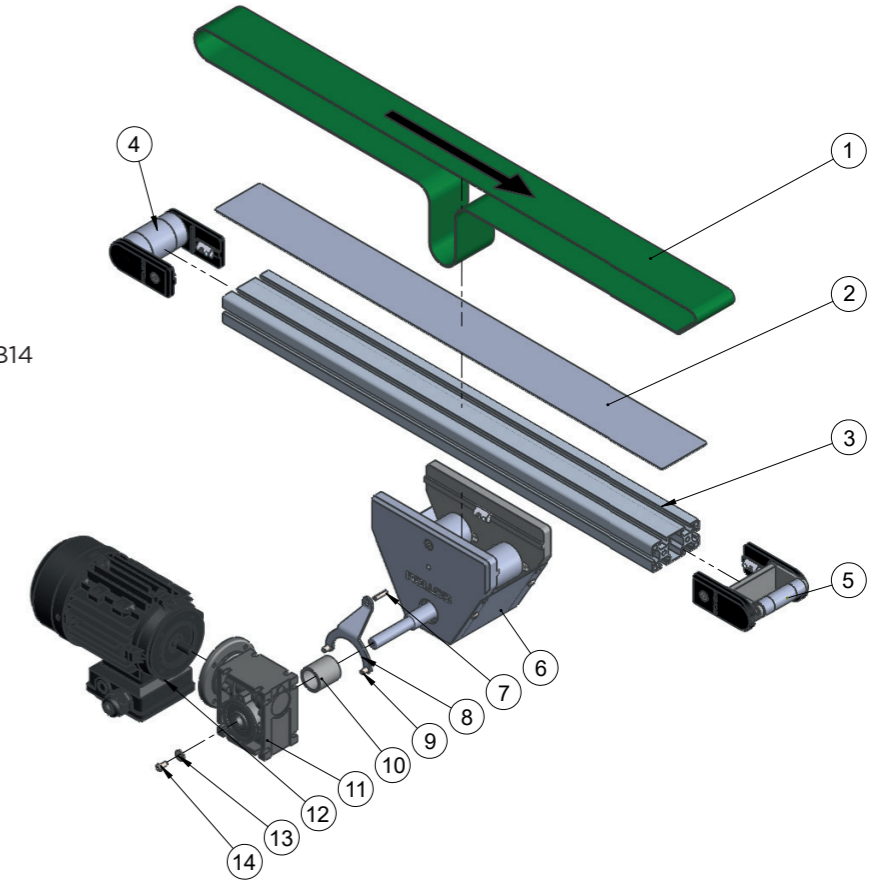
W = Frame width
L = c/c rollers

This table shows a selection of standard conveyor sizes. Given speeds are based on using an MS63B-4 with the appropriate SB030 gear.

Width (mm)	Length (mm)	Gear ratio (I)	Speed (m/min)	Drive side	Motor position
40	Up to 4000	5	37 (37,3)	Right/left	Horizontal/vertical 1-4
80		7,5	25 (24,9)		
120		10	19 (18,7)		
160		15	12 (12,4)		
200		20	9 (9,4)		
250		25	8 (7,5)		
300		30	6 (6,2)		
350		40	5 (4,7)		
400		50	4 (3,7)		

For other dimensions please contact Rollco.

1. Belt
2. Plate
3. Frame
4. BF40-Tail-Fix
5. BF40-Tail-80Z-Fix
6. BF40M-Drive-Fix
7. Pin
8. 40Torque rod, BF40
9. Screw
10. Distance BF40
11. SB030 63B14 H14
12. MS63B-4 0,18kW 230/400V B14
13. Washer KB 5,3x20x1,25 A2K
14. PS1195 Screw K6S M5x12



This table shows a selection of standard motors available for our BF40 series.

Motor type	Voltage (V)	Power (kW)	Frequency (Hz)	Current (A)	Speed (rpm)	Enclosure	Phase	Code
MS63A-4	230/400	0,12	50	0,82/0,47	1350	IP55	3	1
MS63B-4	230/400	0,18	50	1,18/0,68	1350	IP55	3	2
MS63C-4	230/400	0,25	50	1,58/0,91	1340	IP55	3	3
ML63B-4	230/400	0,18	50	1,36	1340	IP55	1	4

We can customise the drive shaft to accommodate many different motors and gear choices. Please contact Rollco for more information.

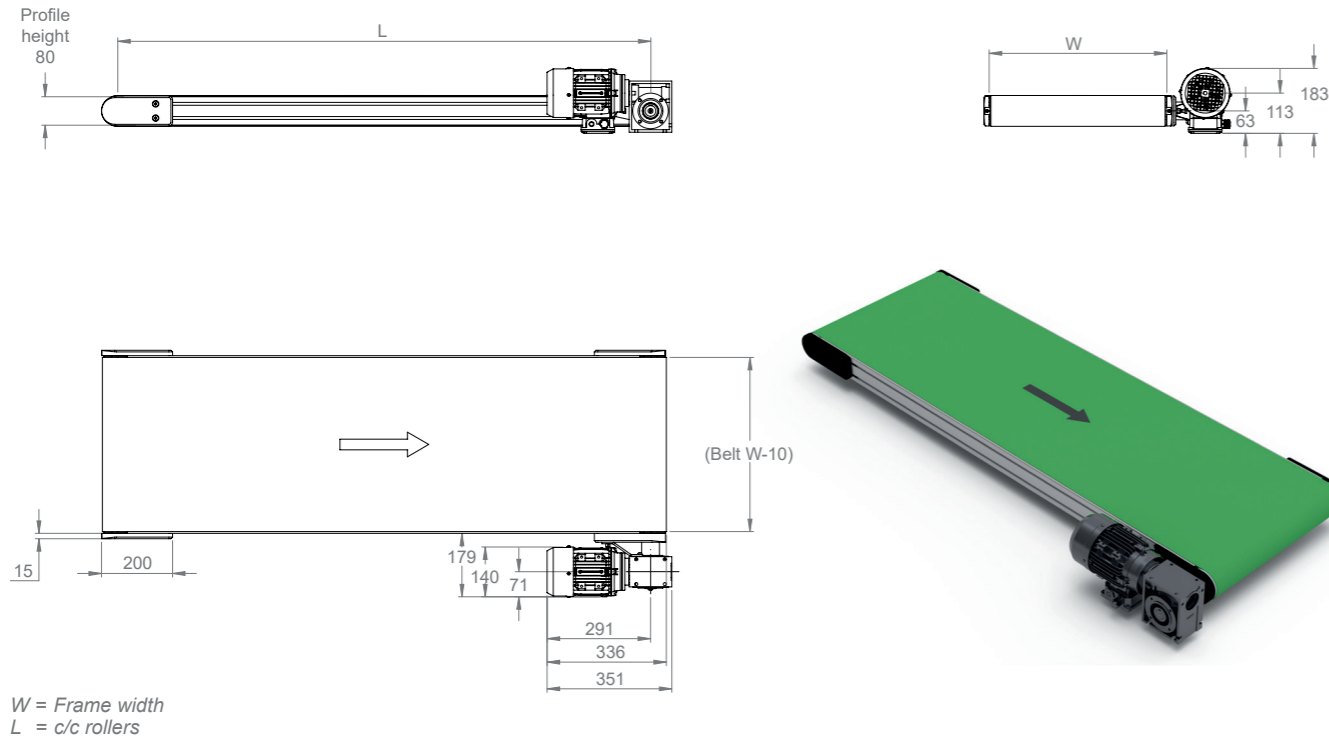
NOTE!

Other motors and frequency converters are available on request. Individual motors are not tested. Motors and gears are not assembled to the unit.

BF80E

End drive

Recommended max. load 150 kg. Recommended max load is evenly spread over the entire conveyor and is in relation to a nominal width and length.

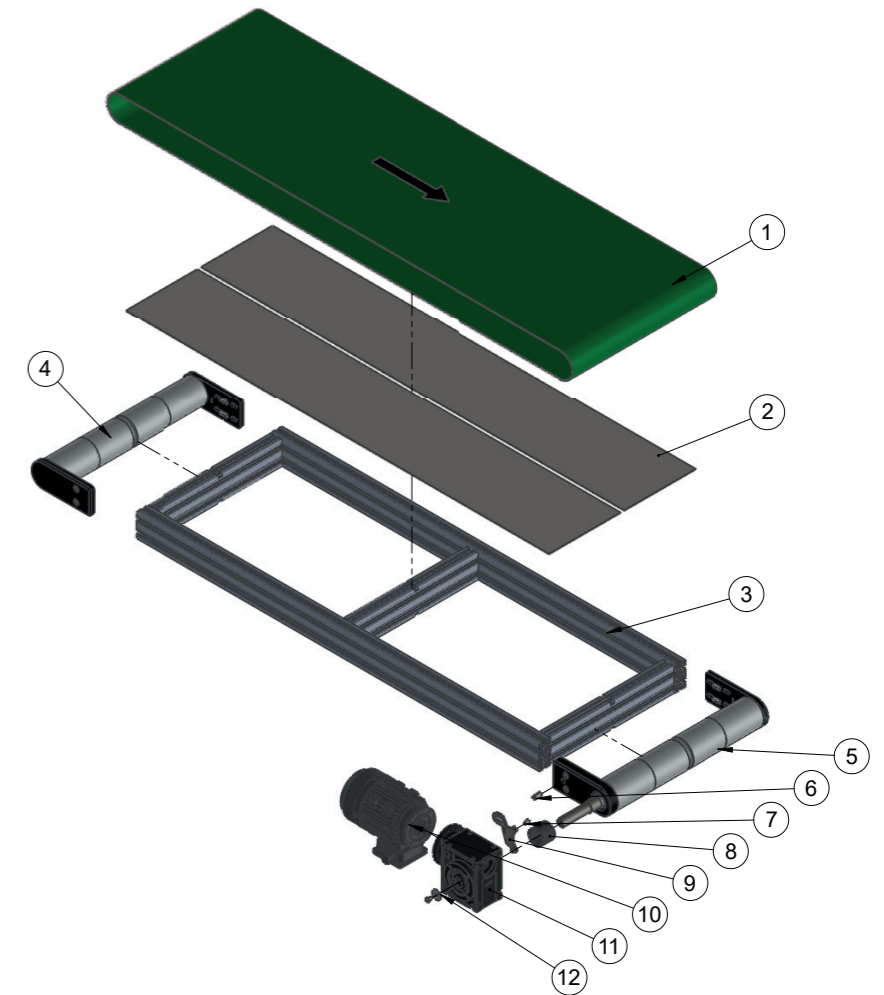


This table shows a selection of standard conveyor sizes. Given speeds are based on using an MS71A-4 with the appropriate SB050 gear.

Width (mm)	Length (mm)	Gear ratio (I)	Speed (m/min)	Drive side	Motor position
500	Up to 6000	10	36 (36,2)	Right/left	Horizontal/vertical 1-4
600		15	24 (24,3)		
700		20	18 (18,2)		
800		25	15 (14,5)		
900		30	12 (12,2)		
1000		40	9 (9,3)		
		50	7 (7,4)		
		60	6 (6,1)		
		80	5 (4,5)		
		100	4 (3,7)		

For other dimensions please contact Rollco.

1. Belt
2. Plate
3. Frame
4. BF80-Tail-Fix
5. BF80E-Drive-Fix
6. Pin FRP 12x24 ISO8752
7. PS1315 Screw K6S M8x12
8. Distance BF80 Ø50
9. Torque rod BF80E
10. ME_MS71B14
11. SB050 71B14
12. Washer NB 8,4x30x1,5 A2K



This table shows a selection of standard motors available for our BF80 series.

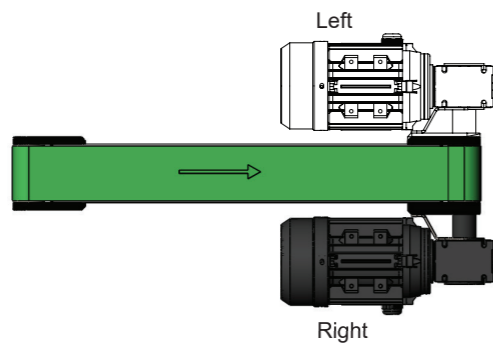
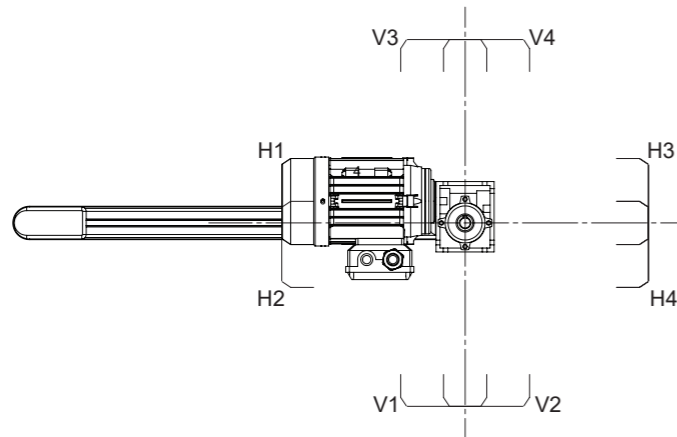
Motor type	Voltage (V)	Power (kW)	Frequency (Hz)	Current (A)	Speed (rpm)	Enclosure	Code
MS71A-4	230/400	0,25	50	1,46/0,84	1350	IP55	5
MS71B-4	230/400	0,37	50	1,93/1,11	1370	IP55	6
MS80A-4	230/400	0,55	50	2,75/1,58	1370	IP55	7
MS63B-4	230/400	0,18	50	1,1/0,63	1365	IP55	8

We can customise the drive shaft to accommodate many different motors and gear choices. Please contact Rollco for more information.

NOTE!

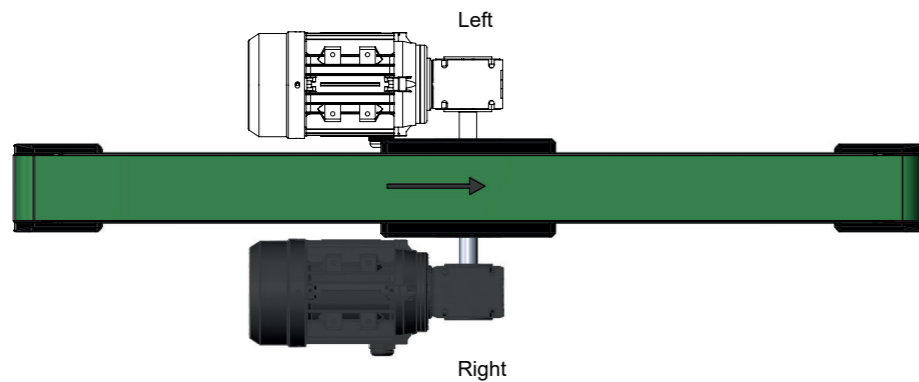
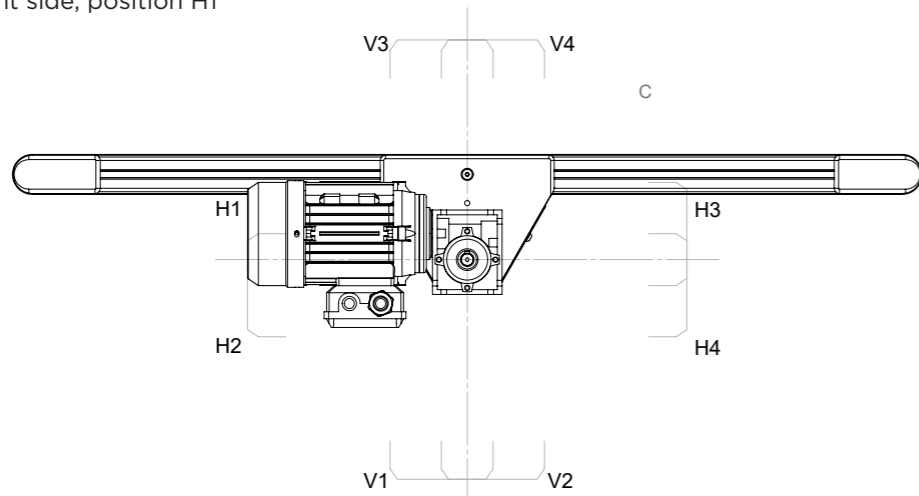
Other motors and frequency converters are available on request. Individual motors are not tested. Motors and gears are not assembled to the unit.

Position of Motor



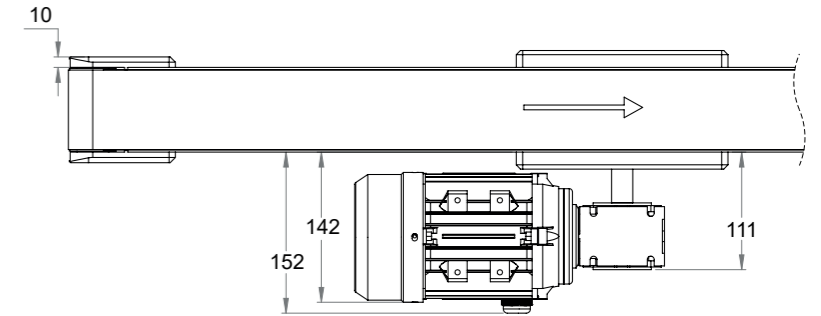
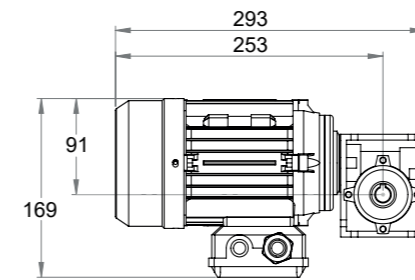
L: Motor to the left.
R: Motor to the right.

Example RH1: Right side, position H1

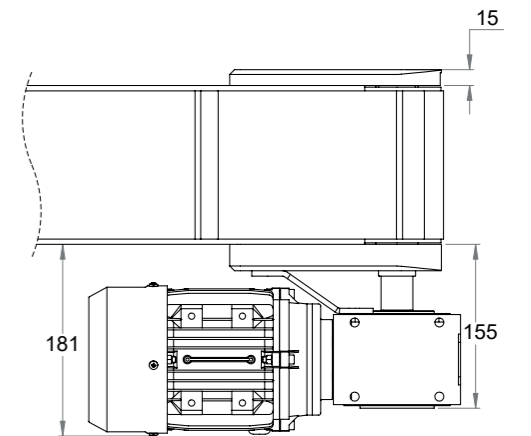
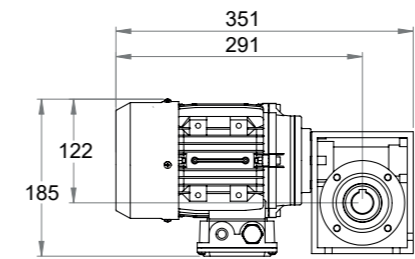


Motor Dimensions

MS63/SB030 (BF40)

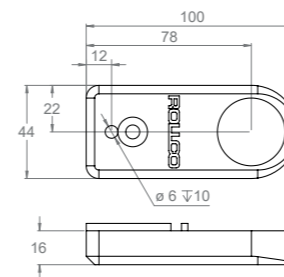


MS71/SB050 (BF80)

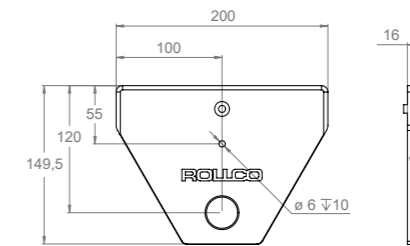


Drive Holder Dimensions

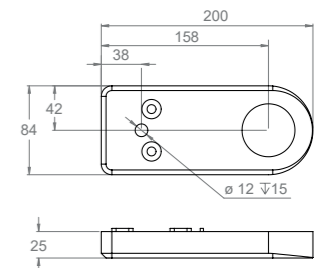
BF40E



BF40M



BF80E



NOTE!
Other motors and frequency converters are available on request. Individual motors are not tested. Motors and gears are not assembled to the unit.

Belts

We offer a wide range of standard belts. For specialized belts please contact us, as we have more options available to cover requirements from most industries.

Standard Belt Types

Code	Material	Friction	Colour	FDA	Surface	Resistances	Typical applications
V	PVC	High	Green	No	Smooth coated		Furniture, Packaging, Plastic, Wood
VT	PVC	High	Black	No	Grip top (tacks)	Abrasion	Furniture, Packaging, Plastic
VG	PVC	High	Black	No	Longitudinal grooves		Canning, Distribution, Material handling
VQ	PVC	High	Grey	No	Quadrile structure		Postal sorting, Material handling
VMFW	PVC	Medium	White	Yes	Smooth coated	Abrasion, Oil, Fat	Food Processing; Fish, Meat, Poultry
VMFB	PVC	Medium	Blue	Yes	Smooth coated	Abrasion, Oil, Fat	Food Processing; Fish, Meat, Poultry
VL	PVC	Low	Black	No	Smooth coated	Abrasion, Noise	Distribution, Materials handling, Packaging
VLGr	PVC	Low	Grey	No	Smooth coated		Distribution, Materials handling, Packaging
TF	TPU	High	Blue	Yes	Longitudinal grooves	Abrasion, Oil, Fat	Bakery, Cheese, Chocolate, Fish, Meat, Poultry
TMF	TPU	Medium	White	Yes	Smooth coated	High temp, Easy cleaning	Bakery, Cheese, Chocolate, Fish, Meat, Poultry
TL	TPU	Low	Black	No	Smooth coated	Abrasion, Non-marking	Check-out, inspection control
TLI	TPU	Low	Grey	No	Smooth impregnated	Abrasion	Yarn Processing
TLF5B	TPU	Low	Blue	Yes	Smooth coated	Abrasion, Wear, Stick, Oil, Fat, 100°	Baby food, Bakery, Cereal, Cheese, Chocolate, Pizza
TLF8W	TPU	Low	White	Yes	Smooth coated	Abrasion, Wear, Stick, 100°	Bakery, Cereal, Pasta, Pizza, Sweets, Chewing gum.
TLF	TPU	Low	Green	Yes	Smooth coated	Abrasion, non-marking	Food processing, mini conveyors.
Fle	PET	Medium	Grey	No	Impregnated fleece	Abrasion, Chemical, Cut, Impact, Wear, Noise, Fray, Oil, Solvent, Water	Airport baggage, Alumium, Car parts, Cardboard, Electronics, Metal, Plywood, Plastic
PLI	PET	Low	Black	No	Smooth impregnated	Abrasion	Discharging belt, Line, Packaging
PLIF	PET	Low	Grey (translucent)	Yes	Smooth impregnated	Stick-slip	Bakery, Chemicals, Chocolate, Dough
SiF	SI	High	White	Yes	Smooth coated	UV	Bakery, Chemical, Chocolate, Frozen Foods.
TLFH	TPU	Low	Green	Yes	Smooth coated	Cut, Oil	Mini-conveyors, Apparatus Engineering, Metal Working
TMH	TPU	Medium	Green	No	Smooth coated	Abrasion, Oil	Metal Working, Packaging, Z-conveyors
EGH	EPDM (rubber)	High	Green	No	Longitudinal grooves	Temperature variation	Packaging, Paper; Manufacturing, Processing, Wood
NTH	NBR (rubber)	High	Green	No	Grip top (tacks)	Oil, Chemical, Abrasion	Paper; Manufacturing, Processing, Wood
NRH	NBR (rubber)	High	Green	No	Rough top	Oil, Chemical, Abrasion	Packaging, Paper; Manufacturing, Processing.
NMH	NBR (rubber)	Medium	Green	No	Smooth coated	Oil, Chemical	Paper; Printing, Finishing
NRMH	NBR (rubber)	Medium	Green	No	Fine rough top	Abrasion	Paper; Manufacturing, Processing, Printing, Finishing

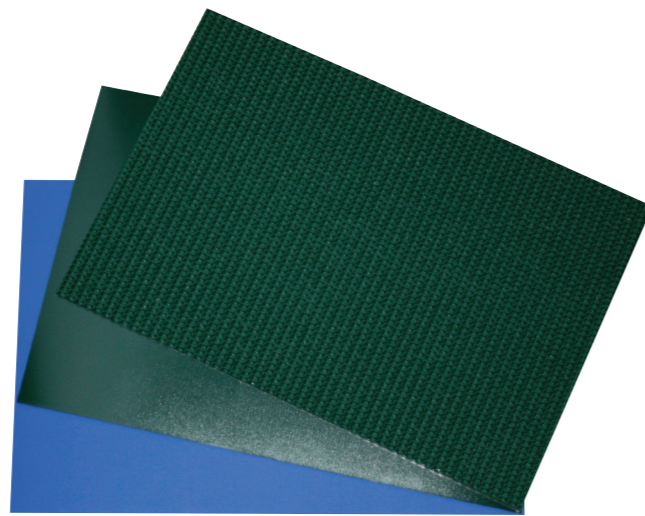
Belt Tension

Belt tension is easily adjusted with open screws on the head/tail pulleys.



Belt Properties

Key	
V	Polyvinylchloride
T	Thermoplastic Polyurethane
P	Polyester
Si	Silicone
N	Acrylonitrile-Butadiene-Rubber
E	Ethylene Propylene Diene M-class
Q	Quad structure
G	Grooved structure
T	Tacks
M	Medium friction
F	FDA approved
L	Low friction
I	Impregnated top
R	Rough top
H	Heavy duty



Belt Profiles

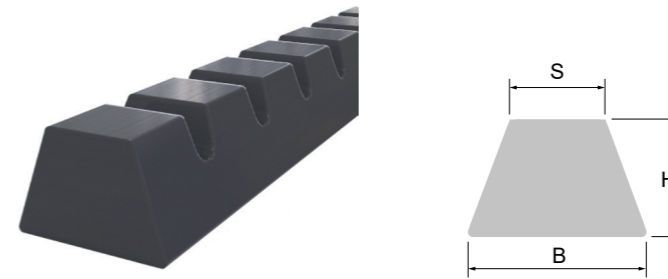
Note! Please be aware that the material of the profiles must be the same as the chosen belt.

Code	Material/ Belt type	Colour	H	B	Applicity	FDA
1	TPU	Green/White	4	8	BF40E & BF80E	Yes
			8	8		
			12	12	BF80E	
			16	12		
2	PVC	Green/Grey	4	8	BF40E & BF80E	Available (E-PQ-R)
			8	8		
			12	12	BF80E	
			16	12		
2	TPU	Green/Blue/White	20	10,5	BF40E & BF80E	Yes
			30			
			40			
			60			
			80			
3	TPU	Green/White	20	20	BF80E	Yes
			30	30		
	PVC	Green/White	20	20	BF80E	Available (E-PQ-R)
			30	30		
4	TPU	Green/White	20	1,4	BF40E & BF80E	Yes
			30			
			40		BF80E	
			50			

Tracking Guides

This profile is used as a tracking guide. It is longitudinally applied on the running side of a belt, mainly in applications where transversal forces occur.

Highly flexible V-shaped notched PVC-profile running over pulleys with a specifically shaped groove. Profiles are applied to the belt using hot air welding or glue.

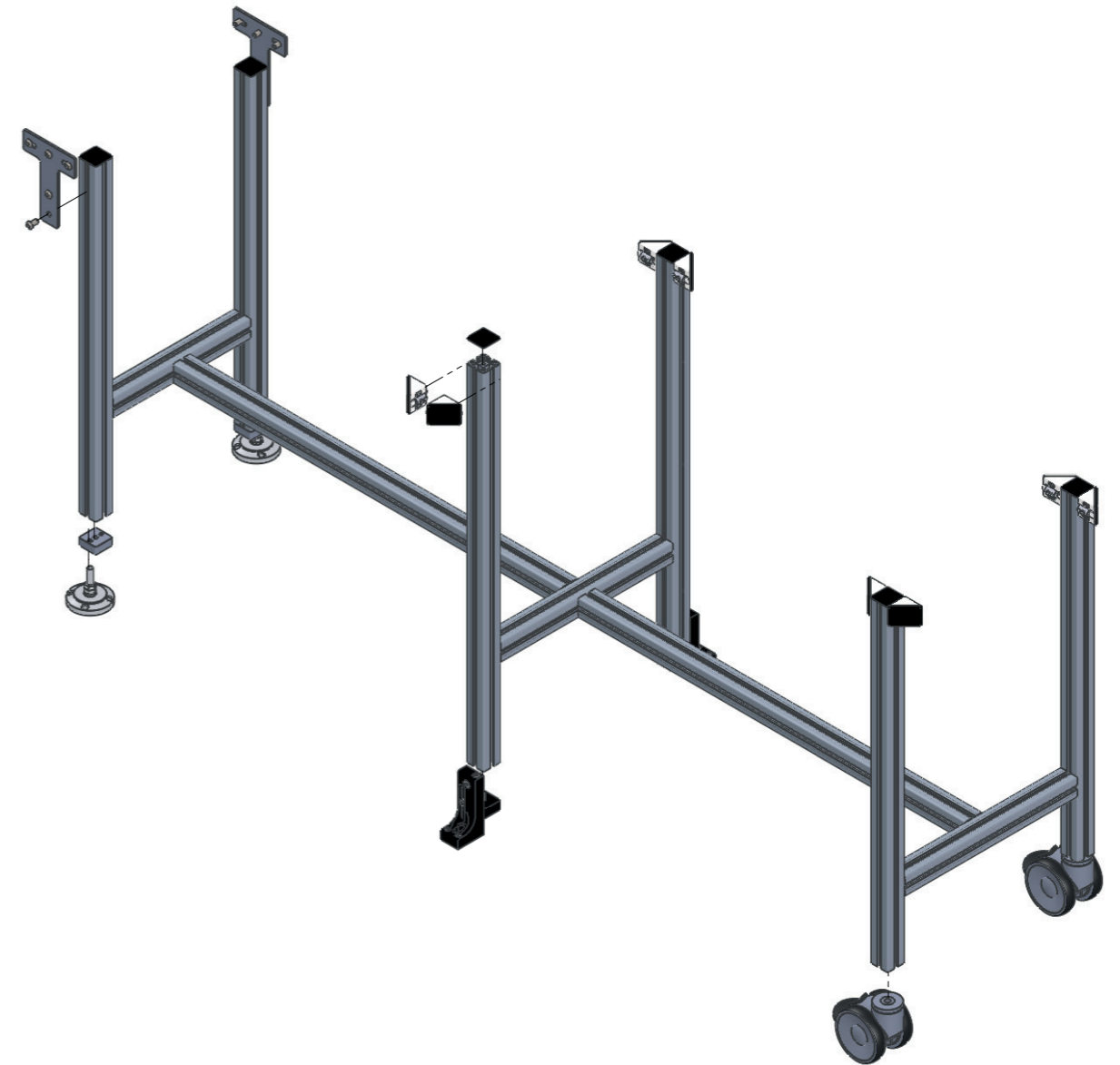
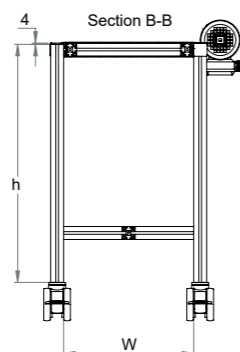
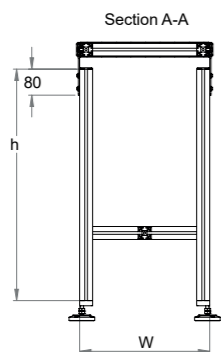
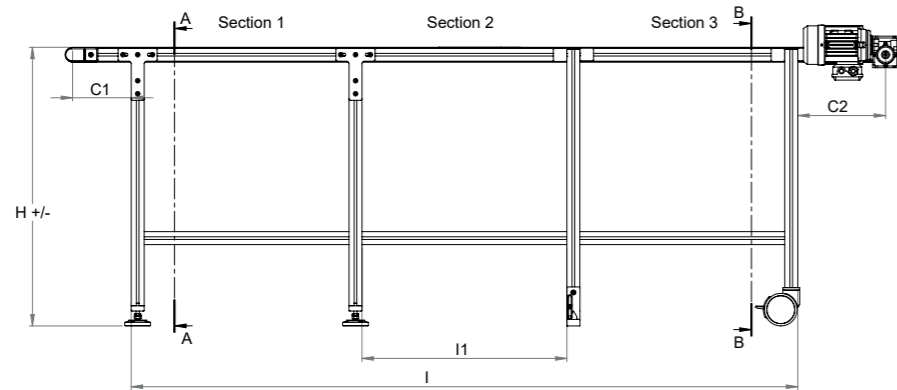
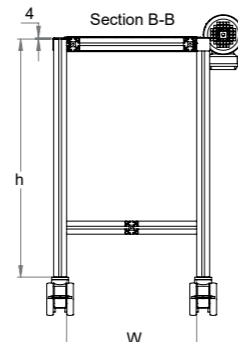
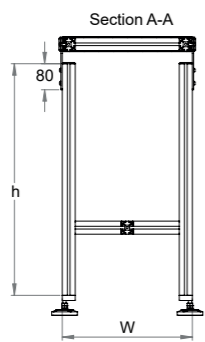
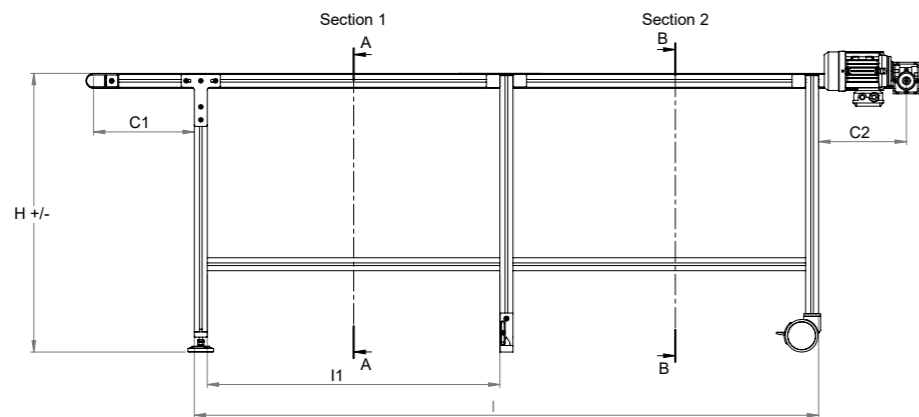


Code	Type	B	H	S	Material	Weight (kg/m)	Min Ø
1	K6	6	4	4	TPU	0,03	40
2	Kn8	8	5	5	TPU	0,04	40
3	Kn10	10	6	6	TPU	0,06	40

Conveyor Stands

We can provide stands for the conveyor belts. The stands are made from aluminium profiles, guaranteed 100% compatible with the conveyor and are made to order. Available with adjustable feet, fixable feet or wheels.

Conveyor Stand Dimensions



Conveyor Stand Accessories

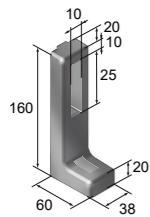
Castors



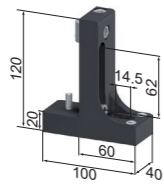
PZ1540
Swivel castor with total lock and bolt hole
(Code 01)

PZ1541
Swivel castor with bolt hole
(Code 02)

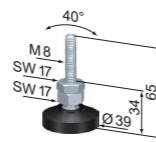
Feet



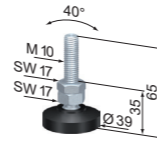
PZ1296
L-Based Foot
(Code 03)



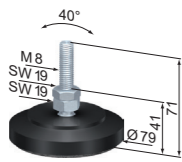
SF1200S
Angle Foot AI, adjustable
(Code 04)



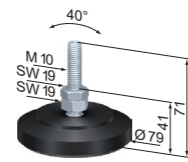
SF0202S
Adjustable Foot
Ø 39 M 8 / L 65
(Code 05)



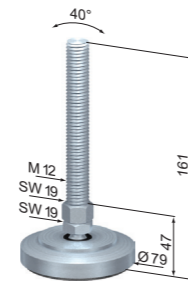
SF0210S
Adjustable Foot
Ø 39 M 10 / L 65
(Code 06)



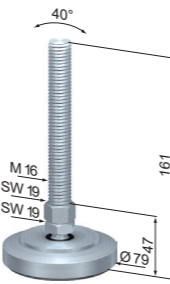
SF0443S
Adjustable Foot
Ø 79 M 8 PSD / L 71
(Code 07)



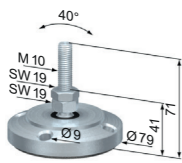
SF0447S
Adjustable Foot
Ø 79 M 10 PSD / L 71
(Code 08)



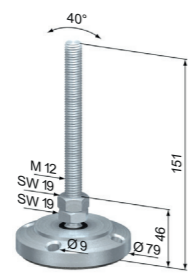
SF0449S
Adjustable Foot Ø 79
M 12 PSD / L 71
(Code 09)



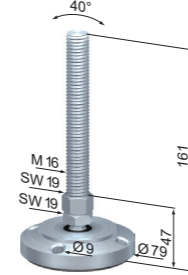
SF0481V
Adjustable Foot Ø 79
M 16 SVD / L 161
(Code 10)



SF0433V
Adjustable Foot Ø 79
M 10 SVDB / L 71
(Code 11)

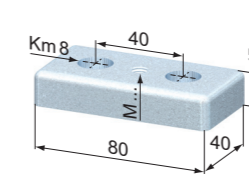


SF0721V
Adjustable Foot Ø 79
M 12 SVDB / L 151
(Code 12)



SF0733V
Adjustable Foot Ø 79
M 16 SVDB / L 161
(Code 13)

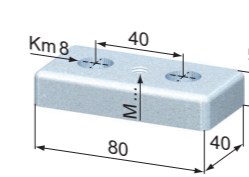
Foot Plates



SZ0210V
Foot Plate
40 x 80 M 8



SZ0212V
Foot Plate
40 x 80 M 10



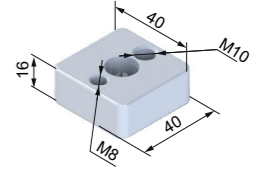
SZ0230V
Foot Plate
40 x 80 M 12



SZ0232V
Foot Plate
40 x 80 M 16

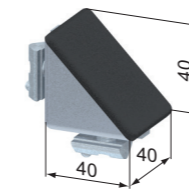


SZ0233V
Foot Plate
40 x 80 M 20

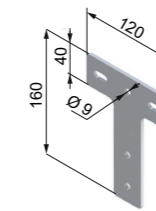


SZ0209S
Foot Plate
40x40 M10/8

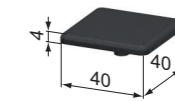
Attachments



SZ0970N
Corner Bracket Zn 40 x 40
Code 1



101512S
T-Plate 40 Ø9
Code 2



PA1028
Profile cap 40x40

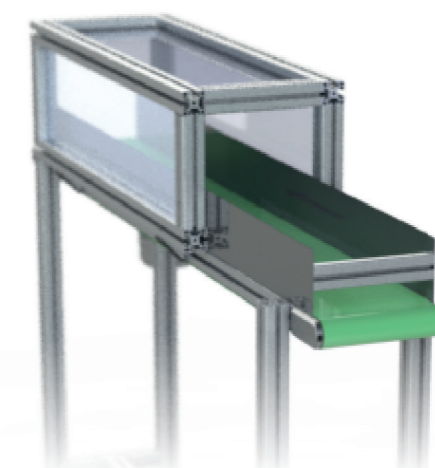


SZ0011S
Profile Cap 40 x 80

For more stand accessories, please see the aluminium profile system on our websites.

Conveyor Belt Covers

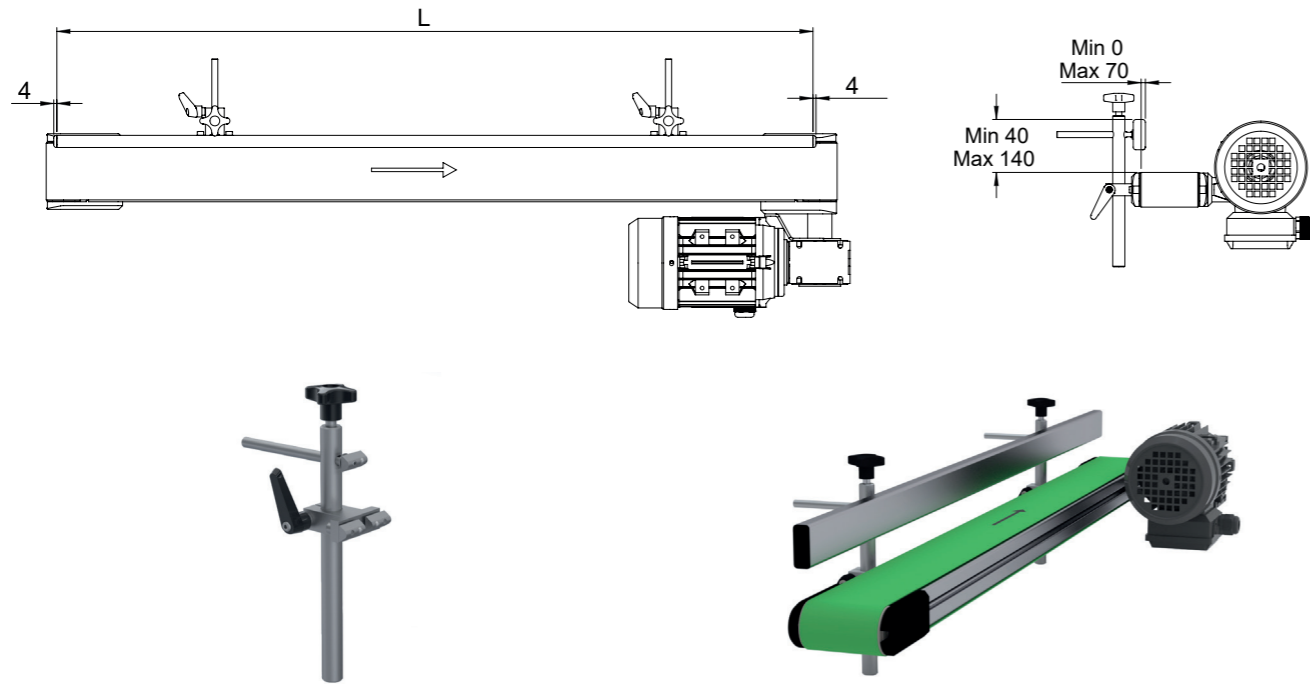
We can provide various covers/hoods. Please contact us for further information.



Conveyor Guides

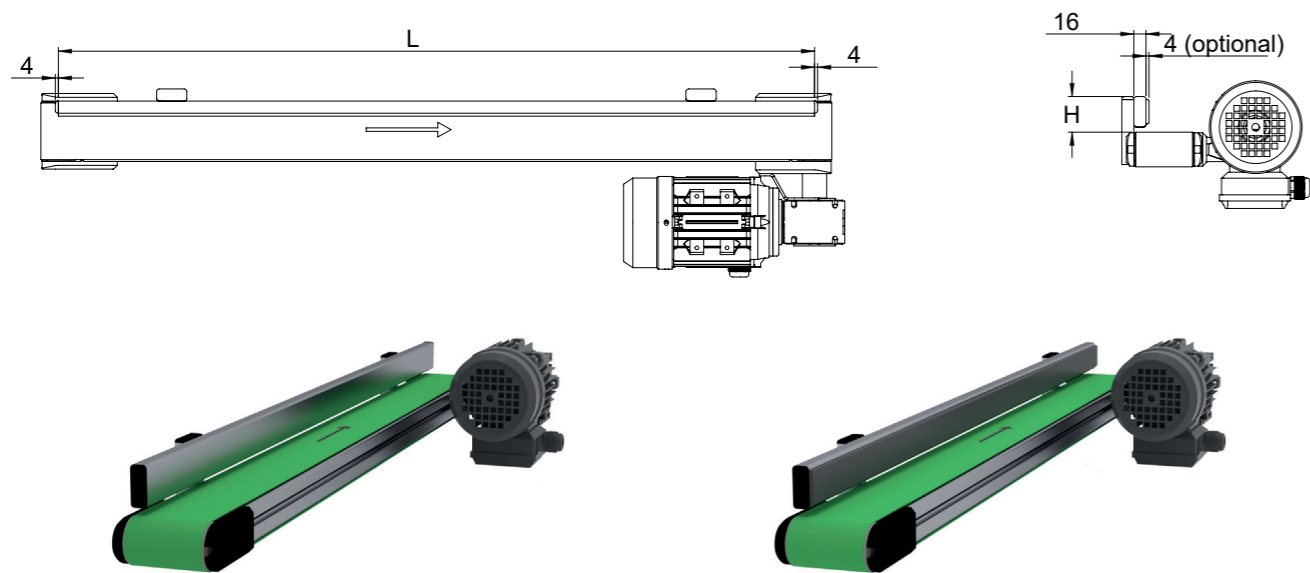
Conveyor guides are ideal for diverting, accumulating or guiding goods. We have several solutions, examples include bent plates and additional adjustable guide profiles.

Adjustable Side Support

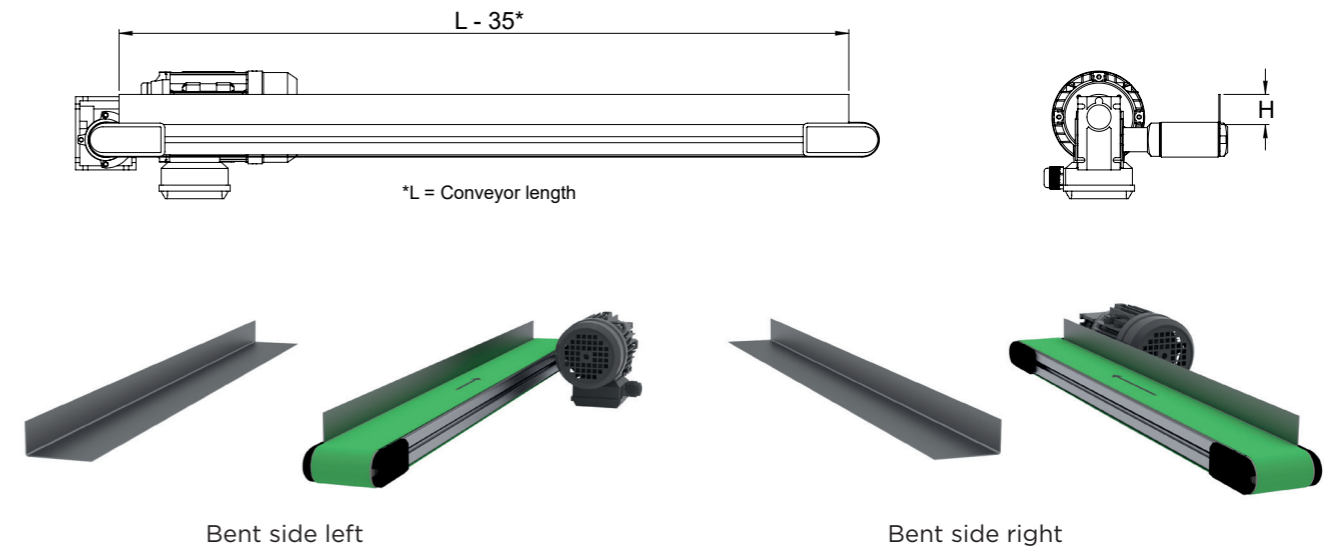


Side Support Alu

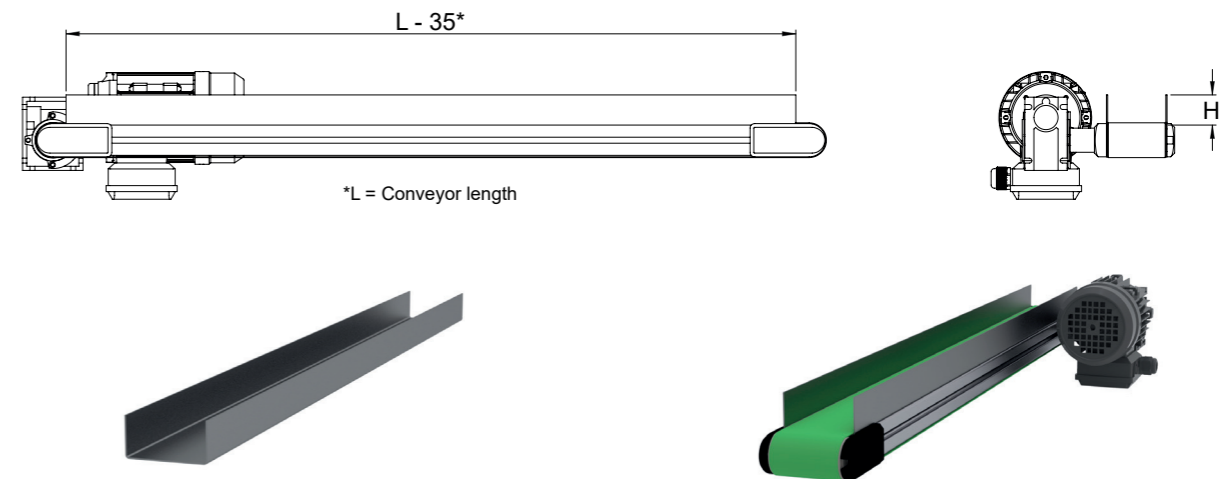
Side supports in aluminium, available also with low friction plastic.



1 Bent Side

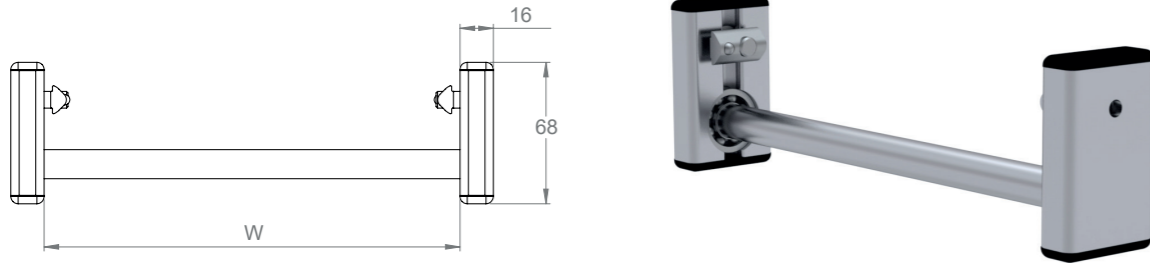


2 Bent Sides



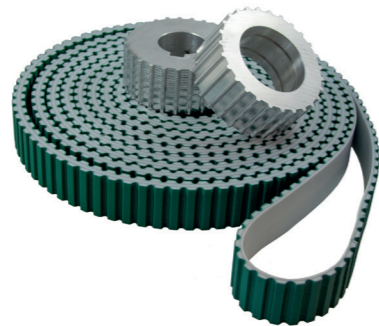
Support Kits

The support kits are used to take up belt slack. The kits are optional, but recommended. If no other request is made, they will be included with the conveyor, amount of kits depending on its length and type.



Special Solutions

We also have experience of more specialized conveyors, including Parallel Driven and Toothed Conveyors. Don't hesitate to contact us regarding your specific application.



Belt Conveyor

BF40E IK - 1200 - 1000 - 38 R T L F 5 B - 1 1 0 0 0 0

Size
BF40
BF80

Type
E = End
M = Middle

Knife edge
IK = In Feed
OK = Out Feed
DK = Double / Both

Width

Length
c/c roller

Speed

Motor side
R = Right
L = Left

Belt type
See website or contact us for further information.

Conveyor guides left
0 = No guides
1 = Bent side
2 = Side support alu
3 = Adj. side support

Conveyor guides right
0 = No guides
1 = Bent side
2 = Side support alu
3 = Adj. side support

Belt profiles
0 = No option
1 = Quadratic profiles
2 = Thin profiles
3 = Wide angled profiles
4 = Side walls

Tracking guides
0 = None
1 = K6 (6x4x4)
2 = Kn8 (8x5x5)
3 = Kn10 (10x6x6)

Stand
0 = No
1 = Yes

Motor
BF40: 0 = No motor
1 = MS63A-4
2 = MS63B-4
3 = MS63C-4
4 = ML63B-4
BF80: 0 = No motor
5 = MS71A-4
6 = MS71B-4
7 = MS80A-4
8 = MS63B-4 B5

Stand

BS 40 - XXXX - XXXX HXXX - X - XXXX 0 0 02

Profiles

40 = 40x40 Semi Profiles
80 = 40x80 Semi Profiles

Width

Length

Height

No. of sections

Profile length (l1)

Attachments

1 = Corner Brackets
2 = T-Plate

Foot plate

0 = Without foot plate
1 = Without foot plate

Floor attachments

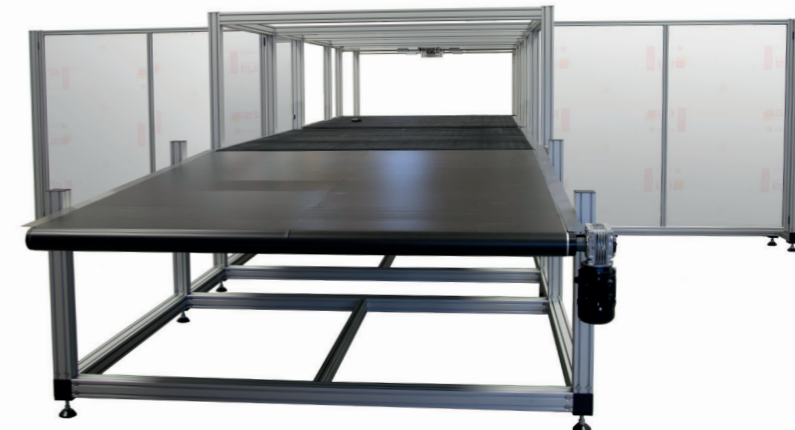
01 = Swivel castor with total lock and bolt hole
02 = Swivel castor with bolt hole
03 = L-Based Foot
04 = Angle Foot A1, adjustable
05 = Adjustable Foot Ø 39 M8 / L 65
06 = Adjustable Foot Ø 39 M10 / L 65
07 = Adjustable Foot Ø 79 M8 PSD / L 71
08 = Adjustable Foot Ø 79 M10 PSD / L 71
09 = Adjustable Foot Ø 79 M12 PSD / L 71
10 = Adjustable Foot Ø 79 M16 SVDB / L 161
11 = Adjustable Foot Ø 79 M10 SVDB / L 71
12 = Adjustable Foot Ø 79 M12 SVDB / L 151
13 = Adjustable Foot Ø 79 M16 SVDB / L 161

Belt Conveyor Examples



Note:

All our conveyors are skillfully adjusted and tested on our factory floor before delivery. After delivery and placement however we cannot guarantee perfect running and strongly recommend final adjustments to be made. Please see the documentation provided with the conveyor for more information on how best to do this. Note that most tracking problems occur from uneven assembly of conveyor bases or flooring and that belt tension should be maintained when adjustments made. Motors are not individually tested and not assembled to the unit during transport.





Belt Conveyor Checklist

Please fill in information below. Fields marked with * are mandatory.

Size* 40 80

Type* (Motor position) E (End) M (Middle)

Knife edge (Optional) IK (In feed) OK (Out feed) DK (Double/both)

Width* mm

Length* (c/c roller) mm

Speed* m/min

Motor

Side* Right Left

Direction Horizontal Vertical

Placement 1 2 3 4

Belt

Type* Polyvinylchloride (PVC) PU/Polyurethane (TPU) Rubber/Elastomer (NBR/EPDM)

Polyethylene Terephthalate (PET) Silicon (SI)

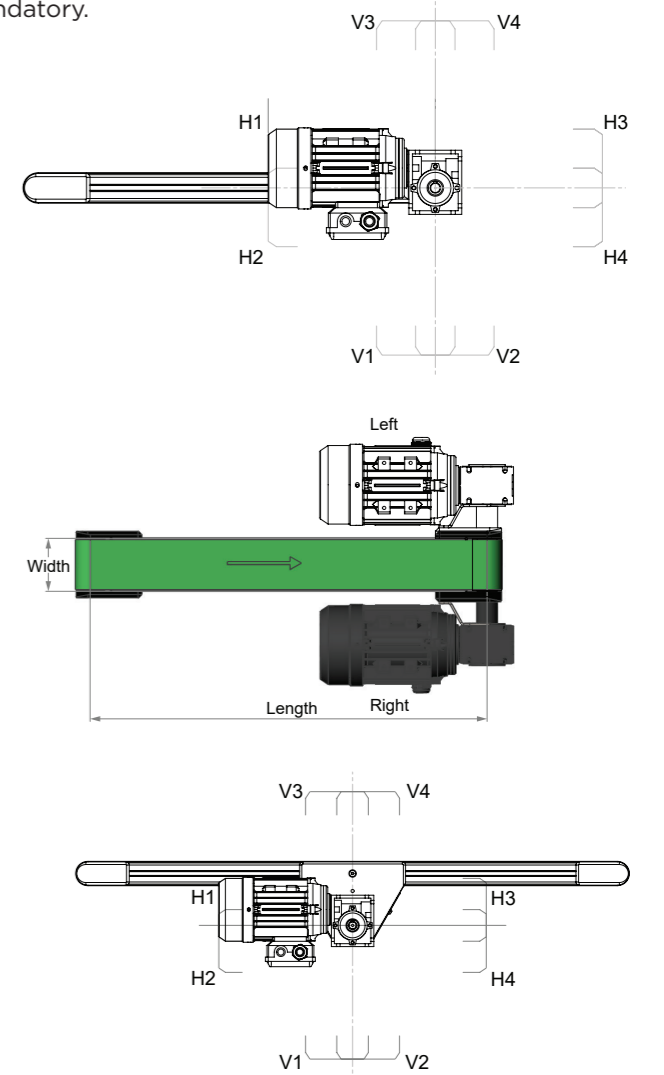
Required friction Low Medium High

Special features FDA (food approved) ESD (antistatic) Other (specify below)

Temperature °C

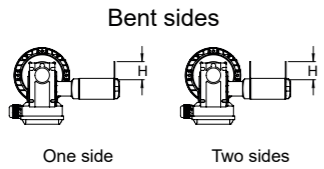
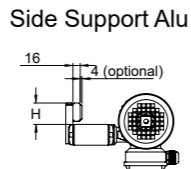
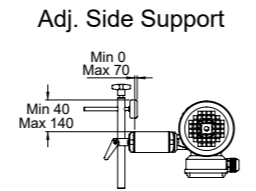
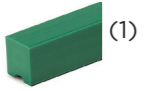

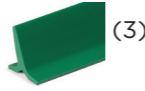

Colour (if required)

Load on conveyor*

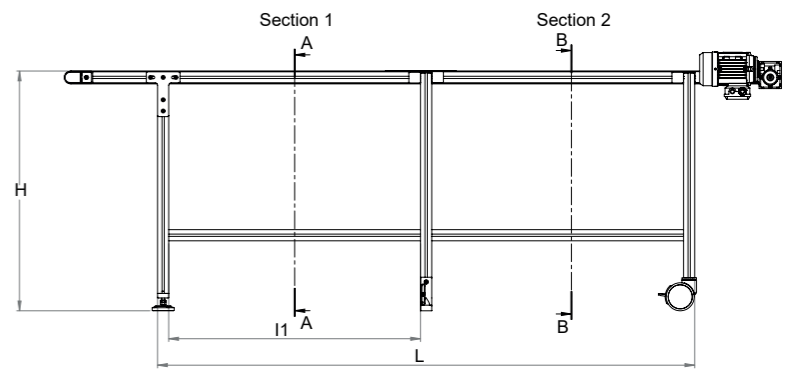


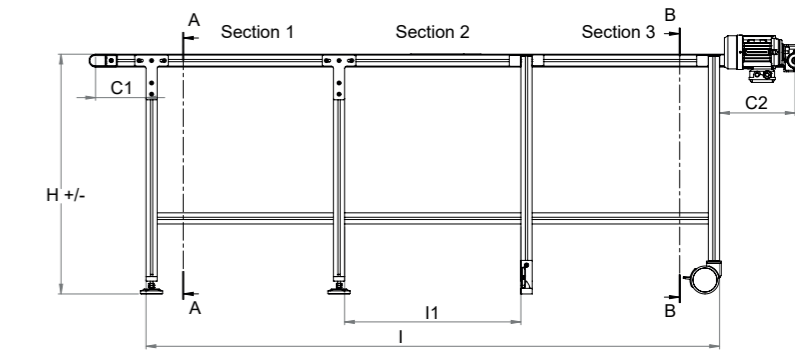

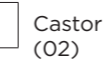

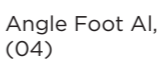
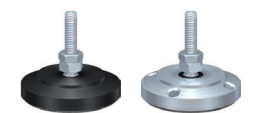




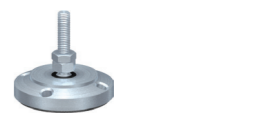
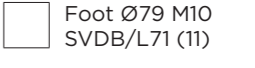
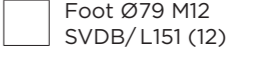
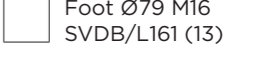


Checklist continues on next page.

Extras

				
Conveyor guides	<input type="checkbox"/> Bent side (1)	<input type="checkbox"/> Side support alu (2)	<input type="checkbox"/> Adj. side support (3)	
Left side	H = <input type="text"/> mm			
Right side	<input type="checkbox"/> Bent side (1)	<input type="checkbox"/> Side support alu (2)	<input type="checkbox"/> Adj. side support (3)	
	H = <input type="text"/> mm			
Belt profiles	<input type="checkbox"/>  (1)	<input type="checkbox"/>  (2)	<input type="checkbox"/>  (3)	<input type="checkbox"/>  (4)
	H = <input type="text"/> mm			
Tracking guides	<input type="checkbox"/> K6 (1)	<input type="checkbox"/> Kn8 (2)	<input type="checkbox"/> Kn10 (3)	
Conveyor stand	<input type="checkbox"/> Yes (fill out list below)	<input type="checkbox"/> No		
Motor alternatives	BF40	BF80		
	<input type="checkbox"/> No motor (0)	<input type="checkbox"/> No motor (0)		
	<input type="checkbox"/> MS63A-4 (1)	<input type="checkbox"/> MS71A-4 (5)		
	<input type="checkbox"/> MS63B-4 (2)	<input type="checkbox"/> MS71B-4 (6)		
	<input type="checkbox"/> MS63C-4 (3)	<input type="checkbox"/> MS71B-4 (7)		
	<input type="checkbox"/> ML63B-4 (4)	<input type="checkbox"/> MS63B-4 B5 (8)		
	<input type="checkbox"/> Option Please specify: <input type="text"/>			

Conveyor Stand Checklist

Profiles	<input type="checkbox"/> 40x40 <input type="checkbox"/> 40x80			
Width	<input type="text"/> mm			
Length	<input type="text"/> mm			
Height	<input type="text"/> mm			
No. of sections	<input type="text"/>			
Profile length (I1)	<input type="text"/> mm			
Attachments	<input type="checkbox"/>  (1) <input type="checkbox"/>  (2)			
Foot plates	<input type="checkbox"/> Yes	<input type="checkbox"/> No		
Floor attachments	<input type="checkbox"/>  (01) <input type="checkbox"/>  (02)	<input type="checkbox"/>  (03) <input type="checkbox"/>  (04)	<input type="checkbox"/>  (05) <input type="checkbox"/>  (06) <input type="checkbox"/>  (07) <input type="checkbox"/>  (08) <input type="checkbox"/>  (09)	<input type="checkbox"/>  (10) <input type="checkbox"/>  (11) <input type="checkbox"/>  (12) <input type="checkbox"/>  (13)

**ALWAYS THE RIGHT
SOLUTION AT THE RIGHT TIME.**

ROLLCO
LINEAR SOLUTIONS **YOUR WAY**

With reliability, competence and commitment Rollco rapidly delivers the right solutions and components to create safe and cost-effective automation and linear movement.

Rollco AB
Box 22234
Ekvändan 3
250 24 Helsingborg
Sweden
Tel. +46 42 15 00 40
www.rollco.se

Rollco A/S
Skomagervej 13 E
7100 Vejle
Denmark
Tel. +45 75 52 26 66
www.rollco.dk

Rollco Oy
Sarankulmankatu 12
33900 Tampere
Finland
Tel. +358 207 57 97 90
www.rollco.fi

Rollco Norge AS
Industrigata 6
3414 Lierstrada
Norway
Tel. +47 32 84 00 34
www.rollco.no

Rollco Taiwan
No. 28, Lane 125, Da-an Road
Shulin District 238
New Taipei City, Taiwan
Tel. +886-2-8687-2726
Fax +886-2-8687-2720
www.rollco-tw.com