

Servo couplings
Safety couplings



The company JAKOB

JAKOB Antriebstechnik GmbH is an internationally leading manufacturer of servo couplings, safety couplings, and mechanical clamping elements.

For more than 40 years JAKOB has been developing and producing various types of torsionally stiff metal bellows couplings and safety couplings for the servo drive industry. Throughout our history we have earned ourselves a reputation of being a reliable and competent partner in the motion and drive industry.

JAKOB is the market leader in the area of mechanical tool and component clamping with its innovative and unique clamping technology.

The JAKOB wedge clamping technology provides the highest clamping forces with low actuation torques and, at the same time, maximum operational safety.

The goal of our servo and safety coupling catalog is to provide a general overview over our standard product range. More detailed information can be obtained at our homepage www.jakobantriebstechnik.de.

Highly trained engineers and technicians at our facility in Kleinwallstadt are always ready with a solution to best meet your requirements.



2D drawings in DXF format or 3D-models in STEP format are available for download at the corresponding site of our homepage. For special dimensions or different drawing types please contact JAKOB. Our other catalogs are also available upon request.

Telephone +49(0)6022 2208-0
www.jakobantriebstechnik.de, info@jakobantriebstechnik.de

All technical details are subject to change. For the most up-to-date data sheets, please check our website.



Servo Couplings I Contents

Metal Bellows Couplings

page



KM // 6-corrugation bellows // simple installation with EASY-clamping hub
// cost-effective standard series // up to 200°C

9



KP // 4-corrugation bellows // simple installation with EASY-clamping hub
// short design // high torsional stiffness // up to 200°C

10



KR // straight bellows // simple installation with EASY-clamping hub
// low restoring forces // high torsional stiffness // up to 200°C

11



KPH // simple installation // split-hub design // flexible
KMH // variable length // backlash-free // torsionally stiff // up to 200°C
KRH

12



KPP // plug-in design // blind installation possible
// backlash-free, exact torque transmission // up to 200°C

13



KG / KG-VA // 4-corrugation bellows // very short design // up to 350°C
// all-steel-version // with EASY-clamping hub
// optionally in stainless steel version (KG-VA)

15

16



KGG // simple installation // split-hub design
// variable length // up to 350°C

17



KSD // 6-corrugation bellows // conical clamping hub on both sides
// short design // cost-effective standard series

18



KSS // straight bellows // conical clamping hub on both sides
// low restoring forces // high torsional stiffness

19



KXL // for high torques up to 65.000 Nm
// easy to fit thanks to three-part construction
// high torsional stiffness // low moment of inertia

20



KPS // expanding cone hub // EASY-clamping hub // short length
// 4-corrugation bellows // internal axial stop // up to 200°C

22



KHS // high-speed version // up to 30,000 revolutions per minute
// high balancing quality // rotational symmetry // up to 200°C
// low moment of inertia // stainless version available

23



KGE // for standardized interface connection DIN-EN-ISO 9409-1
// two-part connection flange // compact design // up to 350°C
// sturdy all-metal version // simple installation with lateral EASY-clamping hub

24







further series










25

Servo Couplings I Contents



Elastomer Couplings

			page
	EKM	<ul style="list-style-type: none"> /// plug-in /// backlash-free /// oscillation dampening /// different shore hardnesses /// with lateral clamping hub 	30
	EKH	<ul style="list-style-type: none"> /// simple installation due to split-hub design /// plug-in /// backlash-free /// stainless 	31
	ESM-A	<ul style="list-style-type: none"> /// with conical hub on both sides /// rotational symmetry /// high-speed 	32
	further series		33

Miniature Couplings

	MKM	<ul style="list-style-type: none"> /// miniature metal bellows coupling /// standard series with lateral clamping hub /// temperature range: -40°C to +200°C 	35
	MKP	<ul style="list-style-type: none"> /// miniature metal bellows coupling /// short design /// with lateral clamping hub /// temperature range: -40°C to +200°C 	36
	MKA	<ul style="list-style-type: none"> /// miniature metal bellows coupling /// cost-effective version with set screws /// temperature range: -20°C to +150°C 	37
	MKG	<ul style="list-style-type: none"> /// miniature metal bellows coupling /// short design - high torsional stiffness 	38
	MKG-VA	<ul style="list-style-type: none"> /// high torsional stiffness /// optional: stainless steel version /// steel hub - welded design - temperatures up to 350°C 	39
	MJT/	<ul style="list-style-type: none"> /// miniature elastomer coupling 	40
	MJT-C	<ul style="list-style-type: none"> /// MJT-C: with lateral clamping hub /// MJT: with set screws /// temperature range: -20°C to +70°C 	
	MOH	<ul style="list-style-type: none"> /// miniature oldham-type coupling /// temperature range: -20°C to +100°C 	41
	MOH-C	<ul style="list-style-type: none"> /// MOH-C: with lateral clamping hub /// MOH: with set screws /// compensation of lateral shaft misalignment 	

Distance Couplings

	WDS	<ul style="list-style-type: none"> /// variable length between 0.2 and 6 m /// simple installation /// split-hub design /// high-speed /// temperature range: -40°C to +200°C 	45
	WDE	<ul style="list-style-type: none"> /// variable length up to 3 m /// simple installation /// split-hub design /// cost-effective version with reduced operational parameters 	46

Safety Couplings I Contents

Distance couplings page



EKHZ // variable length up to 3 m // stainless version
 // plug-in // backlash-free // oscillation dampening
 // split-hub design 47



WD-VA // stainless steel version up to 350°C
 // split-hub design
 // variable length up to 3m 48

Safety Couplings – Indirect Drives



SKB // simple installation with clamping ring hub // for high axial and lateral load 55
 // excellent run-out accuracy // ball-bearing-mounted



SKY // with conical clamping hub // ball-bearing-mounted 56
 // small shaft diameters // excellent run-out accuracy



SKW // easy keyway connection // ball-bearing-mounted 57
 // low-cost version



SKX-L // with slide bearing // with small centric diameter of small size pulleys 58
 // simple installation with clamping ring hub



SKG // with conical clamping hub // ball-bearing-mounted 59
 // optimal system integration // compact attachment

Safety Couplings – Direct Drives



SKB-KP // with bellows attachment // simple installation 61
 // with lateral clamping hub on both sides



SKY-KS // with bellows attachment // small shaft diameters 62
 // with conical clamping hub on both sides // high speed



SKB-EK // with elastomer attachment // plug in // simple installation 63
 // with lateral clamping hub on both sides



SKY-ES // with elastomer attachment // small shaft diameters 64
 // with conical clamping hub on both sides // high speed

Servo Couplings I General

Definition - Servo Couplings:

Servo couplings are compensating couplings with a backlash free and conformal torque transfer providing high torsional stiffness and a low moment of inertia.

According to these requirements, JAKOB metal bellows couplings can be regarded as the ideal solution. For more than 40 years, they have proven themselves in numerous servo drives as an excellent choice. Elastomer couplings with a flexible polyurethane spider can also represent a perfect alternative for different applications because of their product-specific advantages.

All JAKOB servo couplings are backlash-free and flexible to allow for compensation of shaft misalignments. Because of the unique characteristics of the different series, the designer will most likely find the best solution within the large-scale JAKOB coupling program. The area of application ranges from highly dynamic feed drives of the axes in machine tools to high performance drives in machine tool design.

Characteristics - JAKOB Servo Couplings:

- ✓ absolutely backlash-free, precise torque transfer
- ✓ low moment of inertia ✓ high balancing quality
- ✓ excellent operational characteristics ✓ high speed
- ✓ compensation of shaft misalignments ✓ low restoring forces
- ✓ frictional, easy-to-fit shaft-hub-connection
- ✓ metal bellows: max. torsional stiffness, wear-free, up to 350°C
- ✓ elastomer spider: plug-in, oscillation dampening, up to 120°C
- ✓ compact dimensions, flexible areas of applications
- ✓ large number of types and sizes available (modular system)
- ✓ precise production ✓ best quality ✓ long life

The JAKOB Modular System:

As flexible compensating parts, stainless steel bellows are used in different forms as well as polyurethane spiders with different shore hardnesses, oldham-type spacer as polyacetal and stainless steel membrane hubs. Another important aspect is the kind of connection between the drive shafts or the primary shafts and the coupling hubs. Several versions of backlash-free frictional clamping hubs or conical hubs are available.

In this catalog, the most important and widely used series of compensating elements and kinds of hubs, derived from the numerous possibilities of combinations, are described. A well-contrived modular system, which provides multiple uses for many parts, enables production in cost-effective batch sizes and very short delivery periods.

The JAKOB coupling program is divided into the following four main groups:

- ✓ metal bellows couplings
- ✓ elastomer couplings
- ✓ miniature couplings
- ✓ distance couplings

For decades, the center of the JAKOB coupling program has been a large variety of different metal bellows couplings.



Safety Couplings I General

Definition – Safety Couplings:

Due to the constantly increasing automation and dynamics of modern work processes, the devices which protect the complex and expensive units against damages in case of errors are becoming more important. JAKOB safety couplings reduce expensive machine damages, repairs and downtime by acting as torque limiters and overload protection absolutely reliably. JAKOB safety couplings are the life insurance for your machines, no matter whether the error occurs due to incorrect operation, programming error, material overload or tool breakage.

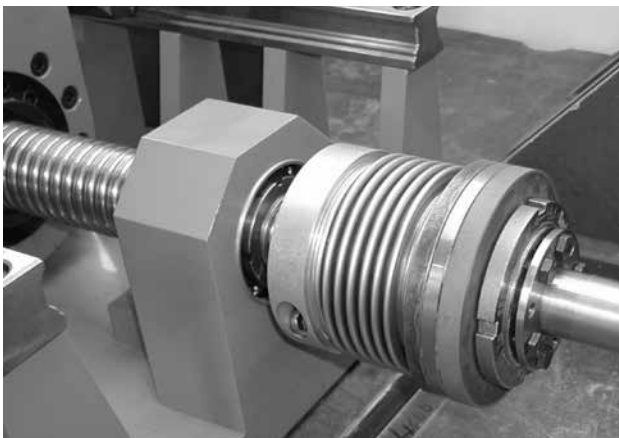
JAKOB safety couplings are the result of decades of continuous research and development as well as the experience gained from numerous different applications worldwide.

Unique design aspects, high-quality materials, precision machining of the individual components are some of the factors which make JAKOB couplings some of the leading couplings today. The safety couplings are used in all areas of the machine tool industry, ranging from critical servo drive applications to overload protection in conveyor systems.

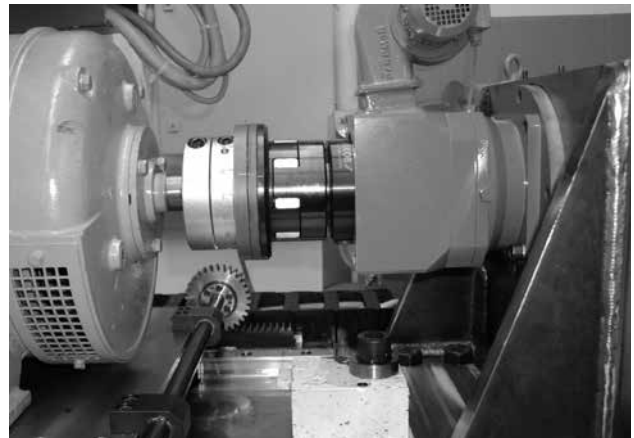
Performance Characteristics – JAKOB Safety Couplings:

- ✓ optimal overload and crash protection
- ✓ backlash-free, precise torque transfer
- ✓ stepless disengagement torque adjustment
- ✓ fixed point reengagement (360° synchronised position)
- ✓ automatic reengaging (optional feature)
- ✓ degressive spring characteristic ✓ precise disengagement function
- ✓ excellent dynamic functional characteristics
- ✓ low moments of inertia ✓ high-speed
- ✓ large selection of types (modular system)
- ✓ integral fitting of pulleys or gear wheels
- ✓ stop-signal (emergency stop) by use of a proximity switch

Application examples:



Collision protection of a drive spindle with safety coupling series SKB-K with bellows attachment



Safety coupling series SKB-E with elastomer attachment for overload protection of a planetary gearbox

Couplings I Dimensioning

Technical Information - Definitions / Details:

Nominal torque of the coupling: T_N - [Nm]

The nominal torque of the coupling defines the max. load of the prolonged alternating-stress strength. If in normal operation, T_N is not exceeded, an infinite number of operation cycles can be carried out (see d „durability“).

Moment of inertia: J_K - [10^{-3} kgm²]

The values for the moment of inertia are defined for medium hub-bores in the given diameter range D_{min}/D_{max} . Conversion: [kgcm²] = [10^{-4} kgm²]

Torsional stiffness: C_{TK} - [Nm/arc min]

The values for the specific torsional stiffness of all couplings are converted from the existing values [103 Nm/rad] to “Newton meter per angular minute”. This enables the constructor to determine the torsion angle failure quite easily (see b below) under consideration of the operating torque. 60 angular minutes (resp. arc minutes) correspond to one angular degree. This defines the conversion factor 1 rad = 57,3° = 3438 arcmin.

Conversion: [103Nm/rad = 0,291 Nm/arcmin] resp. [1Nm/arcmin = 3438 Nm/rad=3,44 kNm/rad]

Example: Size KM 170: 17,5 Nm/arcmin= 60 kNm/rad

Max. misalignment of shafts: [mm]

The maximum misalignment of shafts is the largest allowed misalignment between drive and output shaft, which results from the calculation of the prolonged alternating-stress strength for compensating elements. If the allowed misalignment values are not exceeded, an infinite number of load alternations can be carried out. In exceptional cases (e.g. during fixing) particularly at reduced numbers of load alternations, the misalignment values may be considerably higher (please contact for further consultation).

- /// axial misalignment: usually without problems (expansion due to temperature)
- /// angular misalignment: usually without problems - allowed max. value: 1 to 2 degrees
- /// lateral or parallel misalignment: If the admissible values are considerably exceeded, permanent distortion at the bellows and higher wear of the elastomer spider can occur. Special care must be taken during fitting!

Spring stiffness - axial / lateral: [N/mm]

Restoring forces of metal bellows or elastomer spiders, caused by shaft misalignments.

Dimensioning of the coupling

a) according to torque:

Usually, the size of the coupling is chosen according to the required torque. For exact determination of the necessary drive torque, difficult calculations are necessary (see formularies). If the size of the motor is fixed, the necessary nominal torque of the coupling T_{KN} can be calculated as follows:

$$T_N > 1,25 \cdot T_A \max \cdot i$$

$T_A \max$ = peak torque of the motor
 i = transmission / reduction of the toothed belt drive or the spur-toothed wheel

b) according to torsional stiffness:

For applications with very precise requirements (position control, transmitter), transfer errors due to high elastic deformation can be an important criterion for selection of the coupling. The torsional angle “ αT ” is calculated as follows:

$$\alpha T = \frac{T_A}{C_{TK}}$$

[arc minutes] with T_A = drive torque [Nm] / C_{TK} = torsional stiffness of the coupling [Nm/arcmin]

Very seldomly, metal bellows couplings may have resonance sounds (e.g. a whistling or a humming), when coupling types with a higher torsional stiffness or vibration reducing elastomer couplings are recommended.

Couplings I Dimensioning

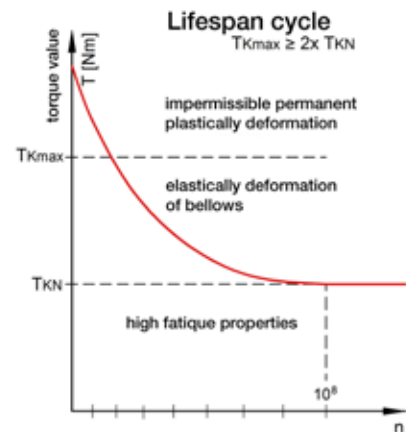
c) according to shaft diameter:

After selecting the coupling type, it must be checked whether the requested shaft diameter corresponds with the allowed diameter (D_{min} / D_{max}) of the hub bores. Another coupling type or size must be chosen, if the shaft diameter is overdimensioned in relation to the torque, which means it is larger than D_{max} of the hub.

note: hub bores which are smaller than “ D_{min} ” are possible, but an optimal transfer of the nominal torque cannot be guaranteed in this case, so a reduction of the drive torque is necessary.

d) durability:

The durability of JAKOB compensating couplings is basically determined by the peak torque and the existing shaft misalignment. If the admissible maximum values for the axial, lateral and angular misalignment are not exceeded and the operating torque is below the nominal torque T_{KN} , then the coupling is within the range of fatigue limit. An infinite number of start-stop-cycles or accelerations and decelerations can be carried out without having to expect a breakdown of the coupling during operation.

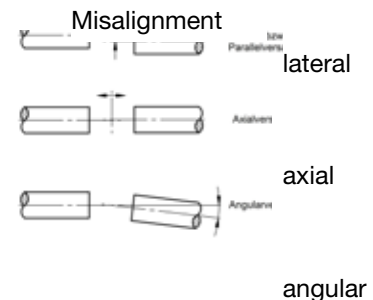


e) max. load:

In special cases, the couplings (metal bellow, elastomer spider) can be overloaded for a short time with twice the nominal torque ($2 \times T_{KN}$). The shaft-hub-connection, however, must then be calculated separately.

f) bearing load:

Due to the flexibility of the compensating couplings in all directions, considerable bearing loads are prevented, in spite of possible axial, lateral or angular misalignment from drive to output shaft. Therefore, an early breakdown or higher wear of the rolling bearing can be prevented. This means less difficult and expensive repairs.



g) operating temperatures:

Metal bellows couplings are, as whole metal couplings, extremely insensitive to temperature. Series with aluminum clamping hubs can be used without restriction from -40°C to $+150^\circ\text{C}$, short-term up to $+200^\circ\text{C}$. For models with welded steel or stainless steel hubs, the application temperature is a maximum of 350°C . The temperature limits of the elastomer spider are at 90°C (98 Sh-A) and 120°C (72 Sh-D).

h) speeds:

Due to precision machining, the rotation symmetry, and the additional balance pin, the compensating couplings are generally suitable for high speeds up to $20,000\text{ min}^{-1}$ even without additional balancing. The standard balancing quality is approx. Q6.3 to Q16. Couplings with conical hubs or hubs with tapered ring can be operated with speeds of over $25,000\text{ min}^{-1}$ (please contact us for further information). The low moment of inertia also has a positive effect.

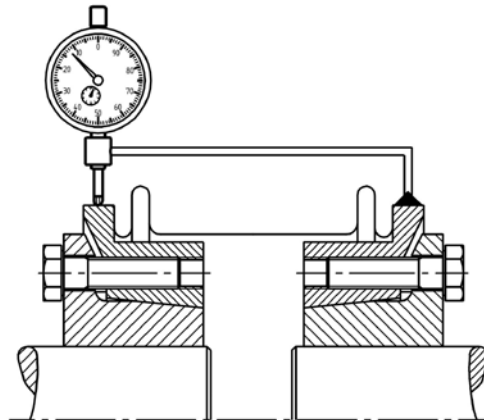
i) maintenance and wear:

Compensating couplings are maintenance and wear free under normal conditions. The polyurethane spiders of the elastomer couplings should be changed in suitable periods, if critical operation parameters are given.

Couplings I Installation Instructions

Alignment of shafts:

Axial and angle misalignment are usually without problems and also simple to measure. To obtain the lateral misalignment, it is recommended to proceed as follows: Fit a dial gauge with an appropriate holding device on one shaft end or on one hub of the coupling and bring the feeler onto the second shaft end or onto the second coupling half (sketch). Now the shafts are turned with the dial gauge and the deflection is read. One half of the total deflection is the lateral misalignment. The admissible value for the shaft misalignments must be taken from the technical data sheets of the appropriate series.



Shaft-hub connection

The couplings are generally supplied with finished bores, in exceptional cases they are also supplied prebored. The seat shaft / hub is to be selected as a transitional seat (example: hub bore diameter 28 G6 - shaft diameter 28 k6). Prior to mounting, the finished bore shaft end conical sleeve should be oiled to prevent fretting corrosion. The coupling is then ready for assembly between the two shafts. An existing keyway in the shaft will not affect the frictional connection.

a) lateral clamping hub

Admissible seat clearance shaft hub: **min. 0,01mm / max. 0,04mm**. Very simple fitting by tightening only one laterally arranged clamping screw (DIN 912). The value for the relevant tightening torques can be found in the data sheets. One hole in the housing is sufficient to tighten the clamping screw (see EASY-clamp system).

b) conical hub / conical ring hub

Admissible seat clearance shaft-hub: **max. 0,02 mm**. Assembly of the conical bush or of the conical clamping ring with several, concentrically arranged mounting screws (as a rule 6x DIN 933). One side of the coupling is fit onto the shaft end by evenly tightening the screws crosswise (to prevent uneven draw-on). The drive or output is now turned by a few revolutions, so that the shaft pinion turns in the second hub and the hub can move on the shaft for axial release. Now the six screws of the second hub are also evenly tightened.

c) split-hub

Admissible seat clearance shaft-hub: **min. 0,01mm / max. 0,04mm**. Two lateral clamping screws (DIN 912) are arranged oppositely. The hubs or couplings are split and consist of two loose halves. One of the split-hubs can be put onto the aligned shaft. Tighten clamping screws evenly, alternating between both sides (note specified tightening torques). A larger opening must be provided in the housing for easy installation.

d) disassembly

After releasing the six retaining screws, the hubs are released with three push-off threads each. In axially tight space conditions, it is advisable to screw in and secure the push-off-screws before fitting. For disassembly an opening in the housing should be provided. Disassembly of lateral clamping hub: see EASY-clamp System page 7!

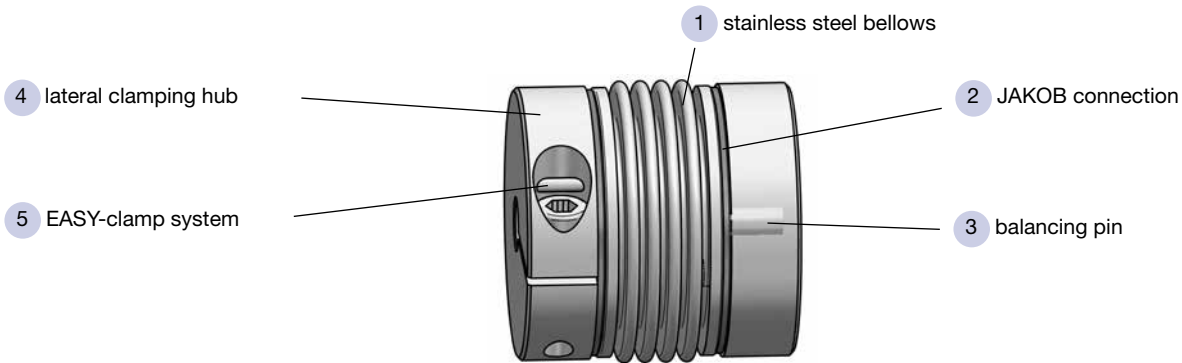
e) special notes

- /// As the metal bellows consist of thin stainless steel sheeting, special care during fitting and disassembly is necessary. Damages to the bellows can render the coupling useless
- /// **hub bores which are smaller than "Dmin"** are possible, but an optimal transfer of the nominal torque cannot be guaranteed in this case
- /// at smaller shaft diameters, the conical hub (larger section thickness) is slotted additionally
- /// you will find further type specific technical details and characteristics in the data sheets

Metal Bellows Couplings



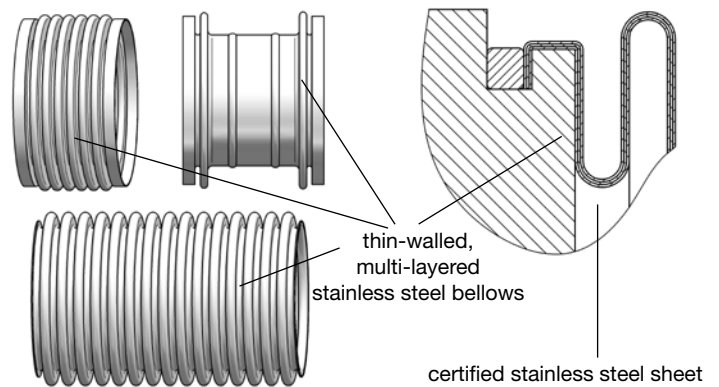
Metal Bellows Servo Couplings | Technical Details



1. Stainless Steel Bellows

advantages:

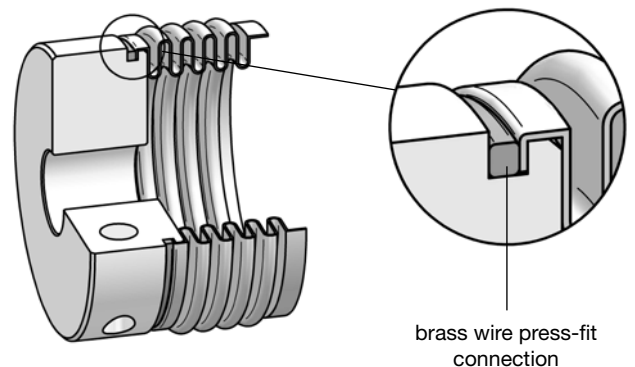
- ✓ absolutely backlash-free, precise torque transmission
- ✓ extremely high torsional stiffness
- ✓ high flexibility for compensation of shaft misalignments
- ✓ minimized moment of inertia
- ✓ maintenance and wear-free up to 300°C
- ✓ high-quality precision manufacture
- ✓ system modules with a multitude of different bellows variations
- ✓ maximized JAKOB-KNOW-HOW of the specific bellows dimensioning
- ✓ 100% final inspection



2. Connection Method

advantages:

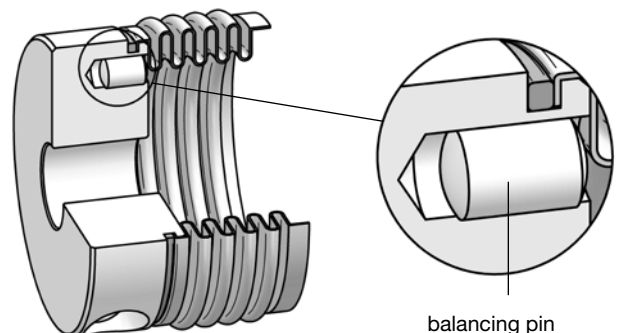
- ✓ JAKOB developed and patented the brass-wire press-fit method in 1974, which is the optimal, backlash-free connection of aluminum hubs with multi-layered stainless steel bellows. Alternatively, the steel or stainless steel hubs are connected to the metal bellows via plasma welding
- ✓ in contrast to glue connections, these methods are long-life and the torque is safely induced into the hubs



3. Balancing of the Hub

advantages:

- ✓ the balancing pin ensures a standard balancing quality of Q16
- ✓ high speeds of up to 20.000 rpm
- ✓ smooth running to prevent oscillations
- ✓ can be specially balanced for balancing quality Q1 - Q2,5

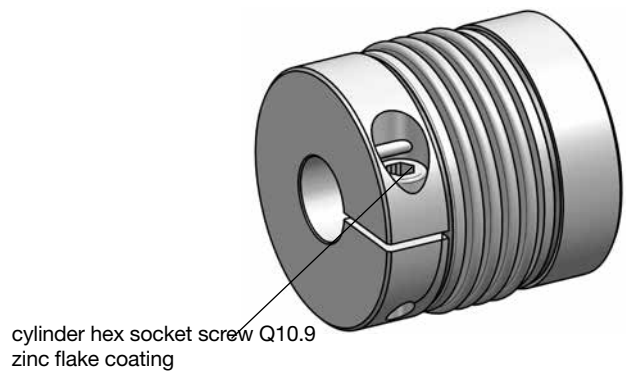


Metal Bellows Servo Couplings | Technical Details

4. Lateral Clamping Hub

advantages:

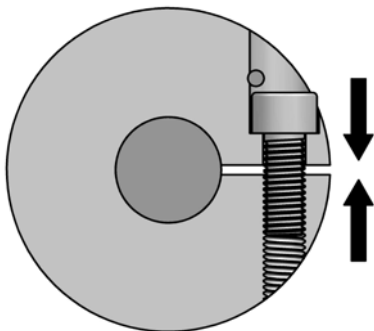
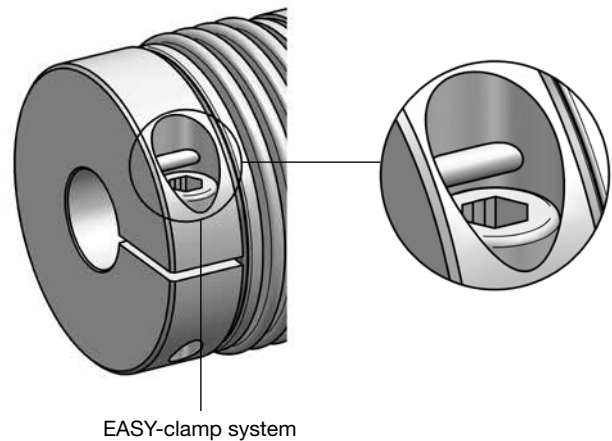
- /// clamping hub made from high-tensile aluminum
- /// simple lateral fitting of shaft-hub-connection
- /// ensures the backlash-free, force-fitted transfer of the declared nominal torque value (no keyway necessary)
- /// minimized moment of inertia, low mass, stainless design
- /// short delivery time due to modularity system
- /// hub bores (D1/D2 standard tolerance G6); customization possible
- /// keyway possible on request



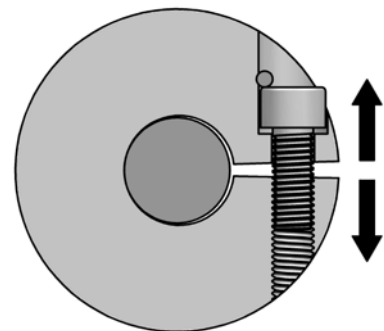
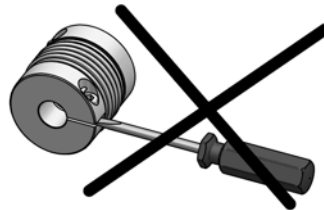
5. EASY-Clamp System

advantages:

- /// revolution of coupling fitting
- /// no shortening or extension of bellows
- /// grave time saving, no reworking
- /// blind assembly possible, hole in bell housing is enough
- /// compensation of tolerance deviation of shaft-hub-fit
- /// no additional tools necessary
- /// no damage of hub bores and bellows at demounting of motor



The clamping hub is backlash-free and force-fitted with the shaft.

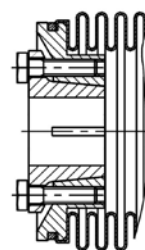


For assembly and disassembly, the hub has to be expanded elastically.

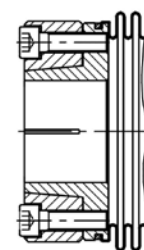
6. Conical Connection

advantages:

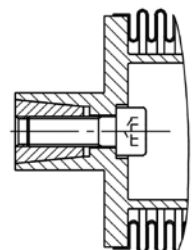
- /// through force amplification (wedge principal), a safe transmission of torque for smaller bore sizes (hub additionally sliced) can be guaranteed
- /// backlash- and maintenance-free, force-fitted
- /// no keyway necessary
- /// rotational symmetry, good balancing for high speed
- /// expanding conical hub for axial mounting in hollow shaft



conical clamping hub



conical ring hub



expanding conical hub



Metal Bellows Coupling I Series KM

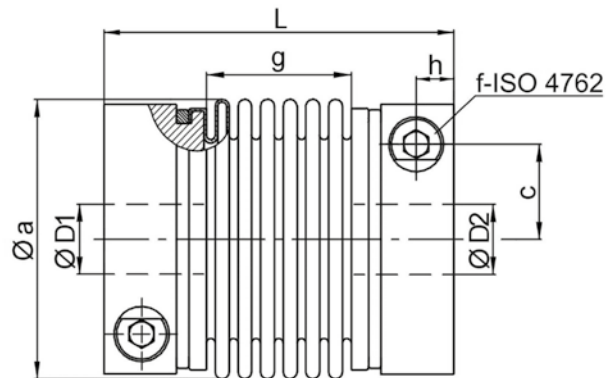
6-corrugation bellows / simple installation with lateral EASY-clamping hub / low-cost standard series

technical data:

KM Size	T _N [Nm]	moment of inertia [10 ⁻³ kgm ²]	torsional stiffness [Nm/arcmin]	max. shaft misalignment (mm)		axial spring rate [N/mm]	lateral spring rate [N/mm]	mass approx. [kg]	tightening torque of screws [Nm] (*)
smaller couplings from 0,4 Nm - 12 Nm see series MKM									
20	20	0,14	5,2	0,8	0,25	51	190	0,3	14
35	35	0,14	5,8	0,8	0,25	51	190	0,3	14
60	60	0,29	8,7	0,9	0,3	49	260	0,5	35 (30)*
80	80	0,79	14	1	0,3	45	280	0,8	65 (50)*
170	170	0,83	17	1	0,3	80	470	0,8	65 (50)*
270	270	2,2	32	1	0,3	70	450	1,4	115 (90)*
400	400	2,4	47	1	0,3	100	640	1,5	115 (90)*
600	600	5,3	67	1	0,3	100	980	2,4	180 (140)*
900	900	9	105	1	0,3	145	1000	3,5	180 (140)*
1300	1300	14	170	1	0,3	130	920	4,2	290 (240)*

(*) note: reduced tightening torque for bigger hub bore diameter - see also Ø D 1/2max!
temperature range: -40°C up to +200°C

material: hubs: high-tensile strength aluminum
screws: ISO 4762 / 12.9
bellows: stainless steel



Dimensions [mm]: length dimensions according to DIN ISO 2768 cH

KM	Øa	c	f	g	h	L	L*	ØD1/2min	ØD1/2max
20	56	19	M 6	30	8	70	81	8	32 -
35	56	19	M 6	30	8	70	81	10	32 -
60	66	22	M 8	33	9	77	87	13	28 (35)
80	82	28,5	M 10	38	11,5	90	102	16	32 (43)
170	82	28,5	M 10	40	11,5	92	104	18	32 (43)
270	101	35	M 12	42	13	100	106	25	42 (55)
400	101	35	M 12	48	13	106	112	28	42 (55)
600	122	42	M 14	52	16	120	-	32	55 (68)
900	133	47	M 14	53	18,5	143	-	40	65 (75)
1300	157	54	M 16	55	20	145	-	48	70 (85)

note: L* ≙ variable length with bigger clamping hub size (see order example)
· version with steel hub and plasma welded joint, as well as higher torques see series „KG“

order example: KM 170 - D1 = 30 G⁷ D2 = 35 H⁶
KM 170 | 104 - D1 = 28 G⁶ D2 = 42 G⁶



Metal Bellows Coupling I Series KP

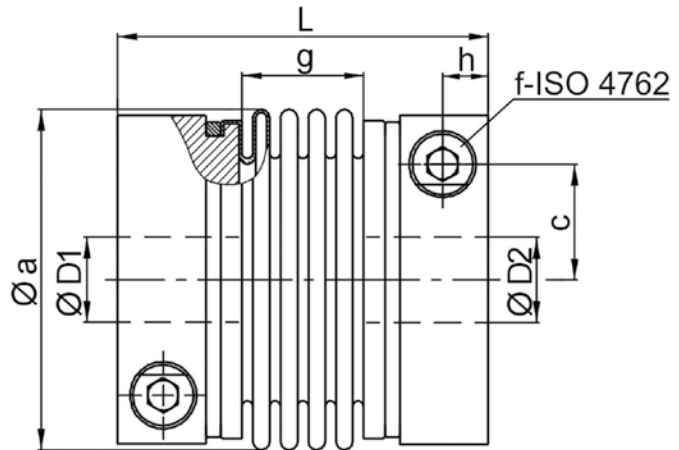
- /// 4-corrugation bellows // short design // high torsional stiffness
- /// simple installation with lateral EASY-clamping hub

technical data:

KP	T _N	moment of inertia	torsional stiffness	max. shaft misalignment (mm)		axial spring rate	lateral spring rate	mass approx.	tightening torque of screws
Size	[Nm]	[10 ⁻³ kgm ²]	[Nm/arcmin]	axial ±	lateral	[N/mm]	[N/mm]	[kg]	[Nm] (*)
smaller couplings from 2 - 12 Nm see series MKP									
25	25	0,064	4	0,5	0,15	36	180	0,18	8
35	35	0,13	9	0,5	0,2	70	450	0,3	14
60	60	0,27	14	0,6	0,2	70	650	0,4	35 (30)*
100	100	0,35	20	0,6	0,2	110	1200	0,5	35 (30)*
170	170	0,76	28	0,8	0,2	98	1000	0,8	65 (50)*
270	270	2	52	0,8	0,2	90	1300	1,3	115 (90)*
400	400	2,15	74	0,7	0,2	135	1500	1,4	115 (90)*
600	600	5,0	106	0,7	0,2	140	2800	2,3	180 (140)*
900	900	9,0	156	0,8	0,2	210	3050	3,3	180 (140)*

(*) note: reduced tightening torque for bigger hub bore diameter - see also Ø D 1/2max!
 size KP 25 - with 5-corrugation bellow and optional with EASY-PIN.
 temperature range: -40°C up to +200°C

material: bellows: stainless steel
 hubs: high-tensile strength aluminum screws: ISO 4762 / 12.9



Dimensions [mm]: length dimensions according to DIN ISO 2768 cH

KP	Øa	c	f	g	h	L	L*	ØD1/2min	ØD1/2max
25	50	17	M 5	24	6	58	-	10	28
35	56	19	M 6	21	8	61	72	10	32
60	66	22	M 8	23	9	67	77	13	28 (35)
100	71	25	M 8	23	9	68	-	14	30 (38)
170	82	28,5	M 10	28	11,5	80	92	18	32 (43)
270	101	35	M 12	29	13	87	93	25	42 (55)
400	101	35	M 12	33	13	91	97	28	42 (55)
600	122	42	M 14	36	16	104	-	32	55 (68)
900	133	47	M 14	37	18,5	127	-	40	65 (75)

note: L* ≙ variable length with bigger clamping hub size (see order example)

order example: KP 170 - D1 = Ø 28^{G6} D2 = 35^{G6}
 KP 170 | 92 - D1 = 32^{G6} D2 = 42^{G6}



Metal Bellows Coupling I Series KR

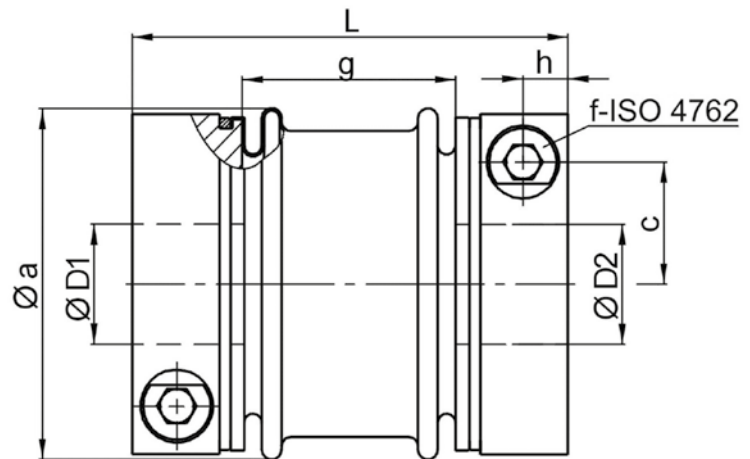
- /// straight bellows
- /// simple installation with lateral EASY-clamping hub
- /// low restoring forces
- /// high torsional stiffness
- /// long design

technical data:

KR Size	T_N [Nm]	moment of inertia [10^{-3}kgm^2]	torsional stiffness [Nm/arcmin]	max. shaft misalignment (mm)		axial spring rate [N/mm]	lateral spring rate [N/mm]	mass approx. [kg]	tightening torque of screws [Nm]
				axial \pm	lateral				
25	25	0,12	9	0,3	0,2	150	150	0,3	14 -
50	50	0,12	10	0,3	0,2	160	170	0,3	14 -
65	65	0,25	12	0,3	0,3	90	80	0,4	35 (30)*
100	100	0,7	23	0,5	0,4	100	95	0,75	65 (50)*
200	200	0,84	30	0,3	0,3	220	120	0,8	65 (50)*
300	300	2	53	0,4	0,3	210	160	1,3	115 (90)*
450	450	2,15	80	0,4	0,3	300	260	1,4	115 (90)*
550	550	4,7	98	0,5	0,5	300	360	2,2	180 (140)*
1500	1500	13	280	0,6	0,5	520	490	4,4	290 (240)*

(*) note: reduced tightening torque for bigger hub bore diameter - see also $\text{Ø D } 1/2_{\text{max}}$!
 temperature range: -40°C up to $+200^\circ\text{C}$

material: bellows: stainless steel hubs: high-tensile strength aluminum
 screws: ISO 4762 / 12.9



Dimensions [mm]: length dimensions according to DIN ISO 2768 cH

KR	Øa	c	f	g	h	L	L*	$\text{ØD1}/2_{\text{min}}$	$\text{ØD1}/2_{\text{max}}$
25	56	19	M 6	33	8	73	84	8	32 -
50	56	19	M 6	33	8	73	84	10	32 -
65	66	22	M 8	41	9	85	95	13	28 (35)
100	82	28,5	M 10	50	11,5	102	114	16	32 (43)
200	82	28,5	M 10	56	11,5	108	120	18	32 (43)
300	101	35	M 12	65	13	123	129	28	42 (55)
450	101	35	M 12	65	13	123	129	35	42 (55)
550	122	42	M 14	72	16	140	-	32	55 (68)
1500	157	54	M 16	96	20	186	-	48	70 (85)

note: L* \triangleq variable length with bigger clamping hub size (see order example)

order example: KR 100 - D1 = 35^{G7} D2 = 35^{G7}
 KR 200 | 120 - D1 = 32^{G6} D2 = 42^{G6}



Metal Bellows Coupling I Series KPH / KMH / KRH

- // simple installation // split-hub design
- // backlash-free // torsionally stiff // flexible
- // stainless design // variable length

technical data:

Size	KPH KMH KRH nominal torque [Nm]	moment of inertia [10 ⁻³ kgm ²]	torsional stiffness [Nm/arcmin]			max. lateral shaft misalignment [mm]			axial spring rate [N/mm]			lateral spring rate [N/mm]			mass approx. [kg]
			KPH	KMH	KRH	KPH	KMH	KRH	KPH	KMH	KRH	KPH	KMH	KRH	
10	10	0,02	1,7	1,1	-	0,15	0,25	-	70	45	-	60	224	-	0,1
40	40	0,2	9	5,8	10	0,2	0,25	0,2	70	51	170	190	450	170	0,5
80	80	0,5	14	8,7	12	0,2	0,3	0,3	70	49	95	260	650	80	0,8
200	200	1,2	25	17	30	0,2	0,3	0,3	98	80	120	470	1000	120	1,2
400	400	3,0	74	47	80	0,2	0,3	0,3	135	100	260	640	1500	260	2,0
900*	900	8,0	156	105	-	0,2	0,3	-	210	145	-	3050	1000	-	3,3

* KRH not available in this size

- three types: type KPH with 4-corrugation bellows / type KMH mit 6-corrugation bellows / type KRH mit 2x 1-corrugation bellows.
- note: for coupling types in split-hub design for higher torques and shorter length see series KGH.

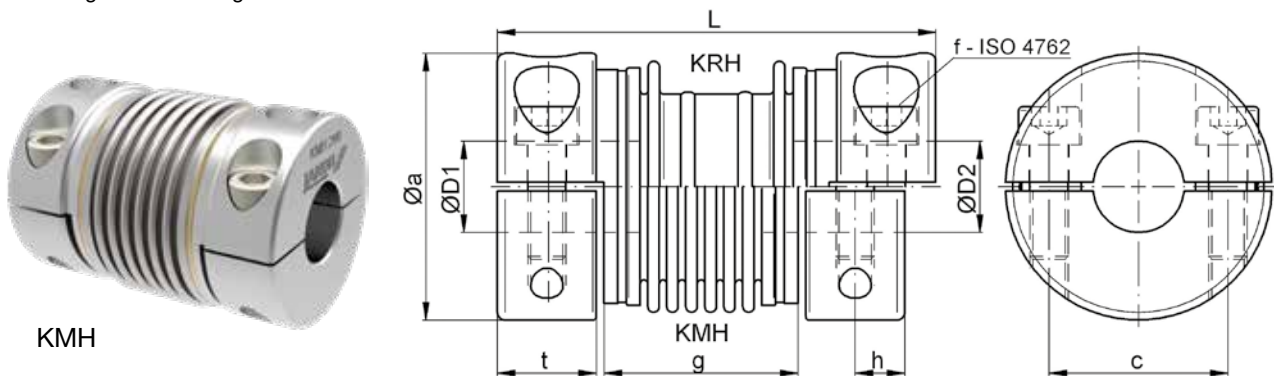
material:

bellows: stainless steel

hubs: high-tensile strength aluminum

screws: ISO 4762 / 12.9

temperature range: -40°C up to 200°C



Dimensions [mm]: length dimensions according to DIN ISO 2768 cH

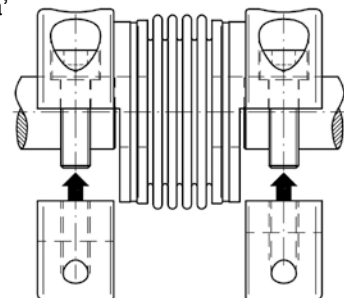
Size	Øa**	c	f-TA	g KPH	g KMH	g KRH	h	L KPH	L KMH	L KRH	t	ØD1/2 min	ØD1/2 max
10	35	21	M5 - 8 Nm	33	43	-	9	73	83	-	18	6	15
40	58	36	M8 - 35 Nm	39	48	51	13	95	104	107	26	9	25
80	75	47	M10 - 65 Nm	41	51	59	13	97	107	115	26	12,5	35
200	89	56	M12 - 115 Nm	45,5	57,5	73	14	106	118	134	28	19	42
400	109	72	M14 - 180 Nm	52,5	67,5	84	15	117	132	149	30	24	55
900	132	94	M14 - 180 Nm	62	78	-	16	132	148	-	31	32	75

** the projecting edge of the screw head is taken into consideration for outer diameter 'a'

Mounting Instructions:

The split-hub design allows for easy assembly. Further simplification during installation is provided because one half of the split hub can be put onto the shaft. The coupling can rest on the two shaft ends. The second half of the split-hub can then be mounted to the coupling by screwing it on from below with the specified tightening torque. This feature makes a "one man assembly" possible.

Important: the distance between the shafts must be bigger than 'g'!



order example: KPH 80 - D1 = 24 G7 D2 = 30 G7
KMH 400 - D1 = 38 F6 D2 = 48 F6



Metal Bellows Coupling I Series KPP

- /// plug-in design // simple installation // EASY-clamping hub
- /// high torsional stiffness // backlash-free, precise torque transmission
- /// sturdy whole metal version

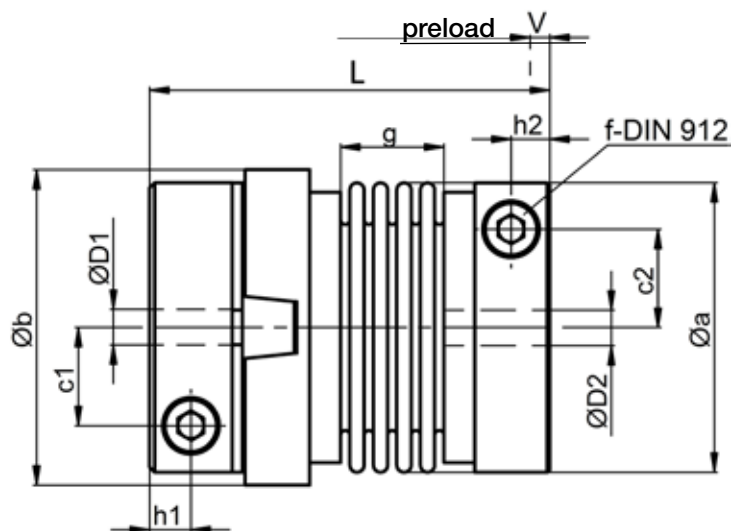
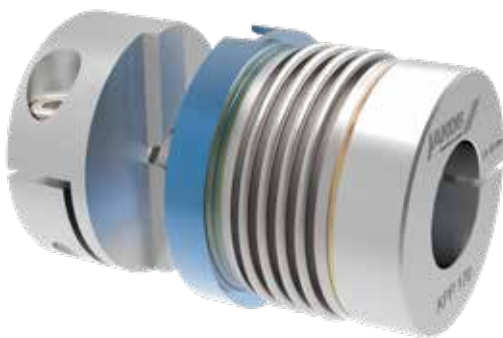
technical data:

KPP size	T_N [Nm]	moment of inertia [10 ⁻³ kgm ²]	torsional stiffness [Nm/arcmin]	max. shaft misalignment (mm)		axial spring rate [N/mm]	lateral spring rate [N/mm]	mass approx. [kg]	tightening torque of screws f i [Nm]	axial preload force approx. [N]
10	10	0,033	2	0,6	0,15	20	93	0,15	8 -	30
20	20	0,17	4,6	0,5	0,2	70	480	0,38	14 -	110
35	35	0,17	5	0,5	0,2	70	480	0,38	14 -	110
60	60	0,34	8	0,6	0,2	70	650	0,60	35 (30)*	110
100	100	0,46	12	0,6	0,2	120	1200	0,66	35 (30)*	180
170	170	0,90	19	0,8	0,2	100	1000	0,95	65 (50)*	150
270	270	2,2	31	0,8	0,2	95	1350	1,6	115 (90)*	140
400	400	2,4	45	0,7	0,2	135	1500	1,7	115 (90)*	200
600	600	5,8	67	0,7	0,2	145	3000	2,7	180 (140)*	220

(*) note: reduced tightening torque for bigger hub bore diameter - see also $\varnothing D 1/2_{max}$!
 temperature range: -40°C up to +200°C

material:

bellows: stainless steel
 hubs: high-tensile strength aluminum
 screws: ISO 4762 / 12.9



Dimensions [mm]: length dimensions according to DIN ISO 2768 cH

KPP	Øa	Øb	c1/c2	f	g	h1/h2	V	L**	ØD1 min-max	ØD2 min-max
10	40	43	13 / 13	M 5	18	6 / 6	1-1,5	62	6-20	6-19
20	56	61	19 / 19	M 6	21	8 / 8	1-1,5	77,5	8-30	8-32
35	56	61	19 / 19	M 6	21	8 / 8	1-1,5	77,5	10-30	10-32
60	66	71	22 / 22	M 8	23	8,5 / 9	1-1,5	85,5	13-28 (34)*	13-28 (35)*
100	71	75	25 / 25	M 8	23,5	8,5 / 9	1-1,5	86	14-34 (38)*	14-34 (38)*
170	82	87	28,5 / 28,5	M 10	28	11 / 11,5	1-1,5	99,5	18-35 (43)*	18-35 (43)*
270	101	106	35 / 35	M 12	29	12 / 15	1-1,5	106,5	25-45 (55)*	25-45 (55)*
400	101	106	35 / 35	M 12	33	12 / 13	1-1,5	110,5	28-45 (55)*	28-45 (55)*
600	122	126	43,5 / 42	M 14	36	13,5 / 16	1-1,5	122,5	32-55 (70)*	32-55 (68)*

* note: reduced tightening torque for bigger hub bore diameter - see also $\varnothing D 1/2_{max}$!

**delivery length (± 1 mm) – without preload -> see function description. Further sizes and lengths available on request.

note: size KPP 1300 with conical clamping hub on request

order example: KPP 170 - D1 = 28^{G7} D2 = 35^{H7}

Metal Bellows Coupling I Series KPP I Technical Details

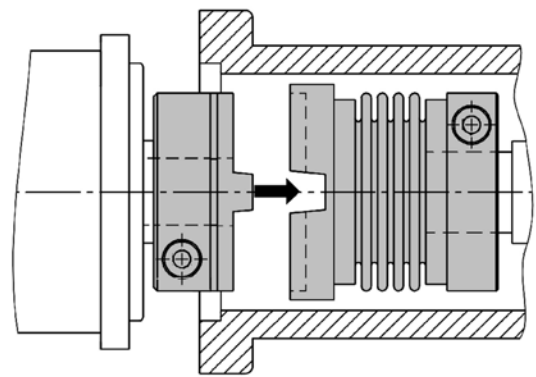
General:

The pluggable, two-part metal bellows couplings are constructed for applications which are difficult to reach, applications without assembly boring for the clamping screws of the coupling hubs or where only blind fitting is possible. For such applications, the assembly is facilitated by the plug-in capability. Also, in case of service, the disassembly is much easier, because the drive unit can be pulled off without the difficult loosening of the hubs.

Product specific characteristics, which define the metal bellows couplings, apply to the KPP couplings as well. These are: absolutely no backlash, high torsional stiffness, low moment of inertia, compensation of misalignments, as well as high operating speeds and high operating temperatures. Depending on special operation parameters, plug-in elastomer couplings of series EKM & ESM provide a good alternative.

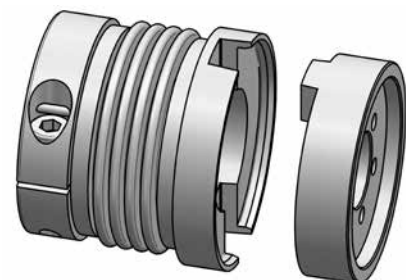
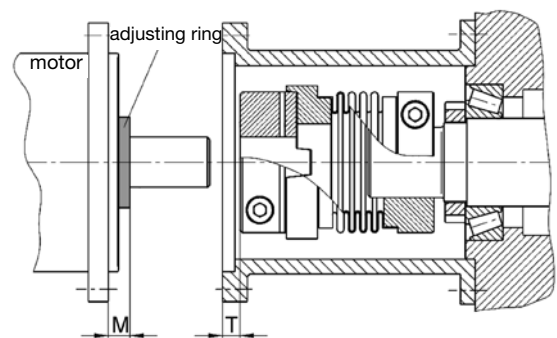
Function:

The axial pluggability is achieved by a backlash-free keyway connection in whole metal version (aluminum anodized). For this, one part of the hub is delivered as a conical carrier, the counterpart with a congruent conical keyway. An additional centering element guarantees an exact alignment of both hub halves. To achieve the necessary axial preload of the plug-in connection, the spring tension of the metal bellows is used. For this, the bellow is compressed by 1-1.5 mm during assembly. This means that the unstressed coupling length 'L' (see measuring table) is reduced by the preload value 'V' after assembly. Because of the low preload, the operational values of the metal bellows are not reduced. The resulting residual forces usually have no negative influence on the shaft bearing.



Assembly Notes:

To guarantee optimal performance of the plug-in connection, the preload value of 1-1.5 mm at the metal bellows must be given special care. In most cases, it is sufficient if the designer considers this. Another possibility for the mechanic is, to mount the whole coupling onto the drive shaft before fitting it to the motor (see drawing). With a depth gauge, the distance value 'T' from the bearing surface of the bell to the front-part of the plug-in hub can be measured. The mounting value 'M' on the motor shaft is given by adding the distance value 'T' to the preload value 'V'. In series application, the mounting can be facilitated by a great extent by using a corresponding adjustment ring. If the angular position of the carrier to the keyway does not fit during the plugging-in, the metal bellows may be compressed by some more millimeters (this bellows deformation is allowed in exceptional cases). By slow turning of the drive shaft, the carrier fits the keyway in synchronous position and the coupling is ready for use.



application example: KPP-flange type for direct gear extension



Metal Bellows Coupling I Series KG

- /// all-metal version up to 350°C // wear and maintenance free
- /// very short and variable design // torsionally stiff
- /// simple installation with EASY-clamping hub

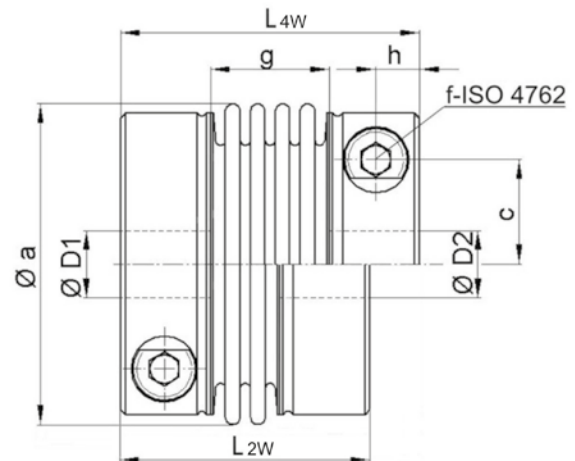
technical data:

KG	T _N [Nm]	moment of inertia [10 ⁻³ kgm ²]	torsional stiffness [Nm/arcmin]		max. shaft misalignment [mm]				axial spring rate [N/mm]		lateral spring rate [N/mm]		mass approx. [kg]
			2W	4W	axial±		lateral		2W	4W	2W	4W	
40	40	0,18	16	9	0,3	0,6	0,1	0,2	130	70	2500	450	0,5
80	80	0,44	26	14	0,3	0,6	0,1	0,2	120	70	3500	600	0,9
140	140	0,74	32	20	0,3	0,6	0,1	0,2	210	110	7000	1200	1,1
220	220	1,22	50	28	0,4	0,7	0,1	0,2	170	95	5000	1000	1,5
350	350	2,6	93	52	0,4	0,8	0,1	0,2	170	90	7000	1300	2,4
700	700	5,4	190	106	0,4	0,8	0,1	0,2	260	140	15000	2800	3,4
1300	1300	24	400	225	0,4	0,7	0,1	0,2	310	160	13000	2100	8,5
1800	1800	25	300	260	1	1	0,2	0,3	340	250	4700	1900	9

Sizes for smaller nominal torques see miniature couplings series MKG
temperature range: -40°C up to +350°C

material:

bellows:
stainless steel 1.4571
hubs: steel St 52
screws:
ISO 4762 / 12.9



notes: connection between bellows and hub by plasma welding

two standard versions with 4-corrugation bellows 4W or 2-corrugation bellows 2W

- Hinweis für Baugröße KG 1800: Techn. Daten für Balgausführung 4W/6W statt 2W/4W

Dimensions [mm]: length dimensions according to DIN ISO 2768 cH

KG	Øa	c	f-TA	g		h	L		ØD1/2 min	ØD1/2 max
				2W	4W		2W	4W		
40	56	18	M6-16 Nm	13	23	7,5	45	55	12	32
80	66	22,5	M8-40 Nm	16	24	9	53	61	14	35
140	71	27	M8-40 Nm	15	25	9	52	62	18	42
220	82	27,5	M10-80 Nm	18	28	11,5	63	73	20	42
350	101	32	M12-135 Nm	19	30	12,5	71	82	22	50
700	122	40	M12-135 Nm	22	37	11,5	70	85	42	64
1300	157	54	M16-300 Nm	24	40	17,5	95	111	50	90
1800	157	54	M16-300 Nm	40	56	17,5	111	127	50/60	90

- alternative lengths and hub versions are possible on request

order example: KG 40 / 4W D1 = 16^{G7} D2 = 24^{H7}
 KG 350 / 2W D1 = 32^{G7} D2 = 35^{G7}
 KG 1800 / 6W D1 = 65^{G7} D2 = 75^{G7}



Metal Bellows Coupling I Series KG-VA

- /// all-stainless steel version up to 350°C // wear and maintenance free
- /// very short and variable design // torsionally stiff
- /// simple installation with clamping hub

stainless steel

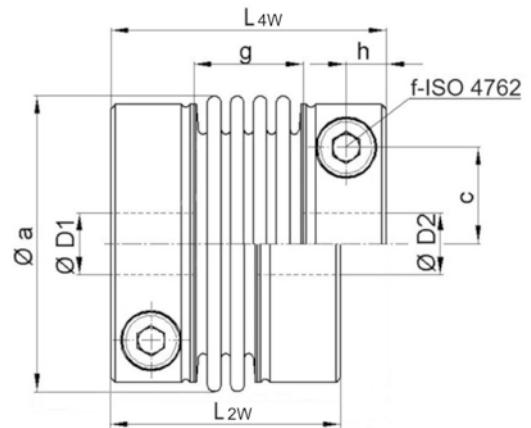
technical data:

KG-VA size	T _N [Nm]	moment of inertia [10 ⁻³ kgm ²]	torsional stiffness [Nm/arcmin]		max. shaft misalignment [mm]				axial spring rate [N/mm]		lateral spring rate [N/mm]		mass approx. [kg]
			2W	4W	axial±	lateral	2W	4W	2W	4W			
30	30	0,18	16	9	0,3	0,6	0,1	0,2	130	70	2500	450	0,5
60	60	0,44	26	14	0,3	0,6	0,1	0,2	120	70	3500	600	0,9
100	100	0,74	32	20	0,3	0,6	0,1	0,2	210	110	7000	1200	1,1
180	180	1,22	50	28	0,4	0,7	0,1	0,2	170	95	5000	1000	1,5
280	280	2,6	93	52	0,4	0,8	0,1	0,2	170	90	7000	1300	2,4
500	500	6,0	190	106	0,4	0,8	0,1	0,2	260	140	15000	2800	3,8
1000	1000	24	400	225	0,4	0,7	0,1	0,2	310	160	13000	2100	8,5

Sizes for smaller nominal torque see miniature couplings series MKG-VA
temperature range: -40°C up to +350°C

material:

bellows: stainless steel
1.4571 / A4
hubs: 1.4301 / A2
screws: ISO 4762
stainless steel / A4-80
optional: ISO 4762 / 12.9



notes: connection between bellows and hub by plasma welding
two standard versions with 4-corrugation bellows 4W or 2-corrugation bellows 2W

Dimensions [mm]: length dimensions according to DIN ISO 2768 cH

KG-VA	Øa	c	f-TA	g		h	L		ØD1/2 min	ØD1/2 max
				2W	4W		2W	4W		
30	56	18,5	M6-9(14)	14	23	7,5	46	55	14(10)	28
60	66	22,5	M8-24(35)	16	24	9	53	61	16(11)	35
100	71	25	M8-24(35)	15	25	9	52	62	24(17)	40
180	82	27,5	M10-45(65)	18	28	11,5	63	73	28(20)	42
280	101	32	M12-80(115)	19	30	12,5	71	82	30(22)	50
500	122	39,5	M14-110(180)	22	37	15	82	97	42(28)	62
1000	157	54	M16-180(280)	23	40	17,5	94	111	54(42)	90

- clamping hubs generally with stainless steel screws A4-80 without EASY-pin - mind reduced actuation torques
- check transmission torques of hub-shaft connection for diameters below Dmin (further inquiry possible)
- optional: coated screws of property class 12.9 for higher clamping forces or torques see values in brackets
- alternative lengths or hub versions available on request

order example: KG-VA 180 / 4W D1 = 32^{G7} D2 = 35^{G7} - stainless steel screws
 KG-VA 30 / 2W D1 = 16^{G7} D2 = 19^{G7} - screws - 12.9 - coated



Metal Bellows Coupling I Series KGH

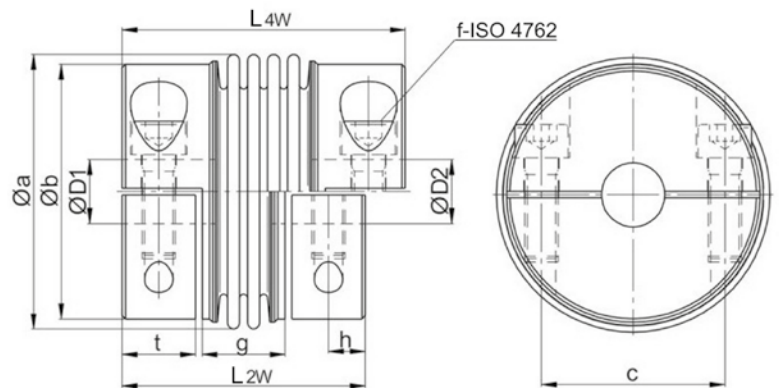
- /// simple installation - split-hub design
- /// backlash free - torsionally stiff // wear and maintenance free
- /// variable length // all-steel-version // up to 350°C

technical data:

KGH size	T _N [Nm]	moment of inertia [10 ⁻³ kgm ²]	torsional stiffness [Nm/arcmin]		max. shaft misalignment [mm]				axial spring rate [N/mm]		lateral spring rate [N/mm]		mass approx. [kg]
			2W	4W	axial±		lateral		2W	4W	2W	4W	
					2W	4W	2W	4W					
20	20	0,045	6	3,4	0,3	0,5	0,1	0,15	100	55	2100	360	0,25
40	40	0,2	9	16	0,3	0,6	0,1	0,2	130	70	2500	450	0,6
80	80	0,5	26	14	0,3	0,6	0,1	0,2	120	70	3500	600	0,9
140	140	0,8	32	20	0,3	0,6	0,1	0,2	110	210	1200	7000	1,25
220	220	1,4	50	28	0,4	0,7	0,1	0,2	170	95	5000	1000	1,8
350	350	3,0	93	52	0,4	0,8	0,1	0,2	170	90	7000	1300	2,8
700	700	7,3	190	106	0,4	0,8	0,1	0,2	260	140	15000	2800	4,6
1800	1800	46	-	300	-	1	-	0,2	-	340	-	4700	15

maximum temperature range: -40°C up to +350°C

material: hubs: steel St 52
bellows: stainless steel 1.4571 screws: ISO 4762 / 12.9



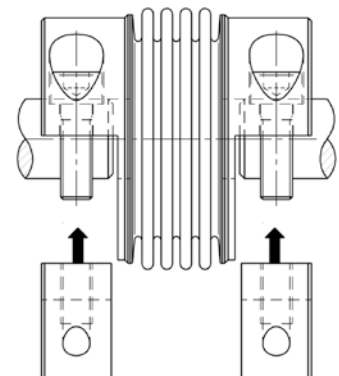
note: standard with 4-corrugation bellows (4W); alternative available with 2-corrugation bellows (2W; values in brackets). connection between bellows and hub by plasma welding

Dimensions [mm]: length dimensions according to DIN ISO 2768 cH

KGH	Øa	Øb	c	f	g	h	L-2w	L-4w	t	ØD1/2min	ØD1/2max
20	40	38	25,5	M 5 - 10 Nm	22 (17)	6	(45)	50	12	8	19
40	56	51	36	M 6 - 16 Nm	32 (22)	7,5	(56)	66	15	12	28
80	66	62	45	M 8 - 40 Nm	32 (24)	8	(60)	68	16	14	35
140	71	71	54	M8 - 40 Nm	33 (23)	8,5	(61)	71	17	14	42
220	82	76	55	M 10 - 80 Nm	37 (27)	11	(75)	85	22	20	42
350	101	89	64	M 12 - 135 Nm	40 (29)	13	(83)	94	24	22	48
700	122	108	78	M 14 - 200 Nm	47 (31)	15	(91)	107	27	35	62
1800	157	145	108	2x M 16 - 300 Nm	55 (-)	18 / 30	(-)	190	64	35	85

Mounting Instructions:

The split-hub design allows for a easy assembly. Further simplification during installation is provided because one half of the split hub is put onto the shaft. This allows that the coupling can rest on the two shaft ends. The second half of the split hub can then be mounted to the coupling by screwing it on from below with the specified tightening torque. This feature makes "one man assembly" possible.



order example: KGH 220/4W - D1 = 24^{G7} D2 = 30^{G7}



Metal Bellows Coupling I Series KSD

- /// 6-corrugation bellows // short design // conical bush on both sides
- /// cost-effective standard series

technical data:

KSD Size	T_N [Nm]	moment of inertia [10^{-3}kgm^2]	torsional stiffness [Nm/arcmin]	max. shaft misalignment (mm)		axial spring rate [N/mm]	lateral spring rate [N/mm]	mass approx. [kg]	tightening torque screws „f“ [Nm]
				axial \pm	lateral				
10	10	0,03	2,1	0,6	0,15	20	93	0,22	3
20	20	0,1	5,5	0,8	0,25	51	190	0,4	3
35	35	0,1	6	0,8	0,25	51	190	0,4	3
60	60	0,3	9	0,9	0,3	49	260	0,8	10
80	80	0,9	14	1	0,3	48	220	1,3	10
170	170	0,9	18	1	0,3	80	400	1,3	10
270	270	2,5	32	1	0,3	70	450	2,4	25
400	400	2,8	47	1	0,3	100	640	2,5	25
600	600	5,5	67	1	0,3	100	980	3,6	50
900	900	10	105	1	0,3	145	1000	5,5	50
1300	1300	20	170	1	0,3	130	920	7,7	90
2500	2500	103	450	1	0,3	170	1350	22	210
4000	4000	110	700	3	1,2	480	5000	23	210

note: KSD size 4000 with 4-corrugation-bellows and shrink disc clamping hub (up to $D_{\text{max}} = \varnothing 130 \text{mm}$)
 temperature range: -40°C up to $+300^\circ\text{C}$

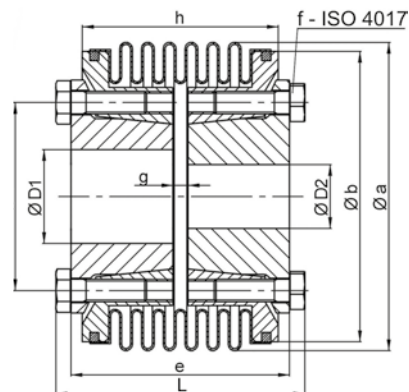
- for higher torques see series KXL

material:

bellows: stainless steel

hubs: heat treated steel

screws: ISO 4017 / 10.9



Dimensions [mm]: length dimensions according to DIN ISO 2768 cH

KSD	$\varnothing a$	$\varnothing b$	$\varnothing c$	e	6 x f	g	h	L	$\varnothing D 1/2$		prebored
									min.	max.	
10	40	34	27	45	M 4	7	33	51	6	16	5
20	56	52	30	48	M 4	12	44	54	10	19	8
35	56	52	30	48	M 4	12	44	54	10	19	8
60	66	62	36	53	M 6	5	47	61	12	24	11
80	82	78	50	58	M 6	4	52	66	18	35	17
170	82	78	50	60	M 6	6	54	68	20	35	17
270	101	96	62	68	M 8	2	58	79	28	42	25
400	101	96	62	74	M 8	8	64	85	30	42	25
600	122	112	70	78	M 10	6	68	91	35	50	28
900	132	127	83	94	M 10	6	76	107	40	60	34
1300	157	140	98	96	M 12	6	78	111	40	75	38
2500	203	194	144	147	M 16	8	97	167	50	102	49
4000	203	173	144	223	M 16	84	174	243	60	102	49

order example: KSD 270 - $D1 = 42^{G6}$ $D2 = 30^{H7}$



Metal Bellows Coupling I Series KSS

/// straight bellows /// conical bush on both sides /// low restoring forces /// high torsional stiffness

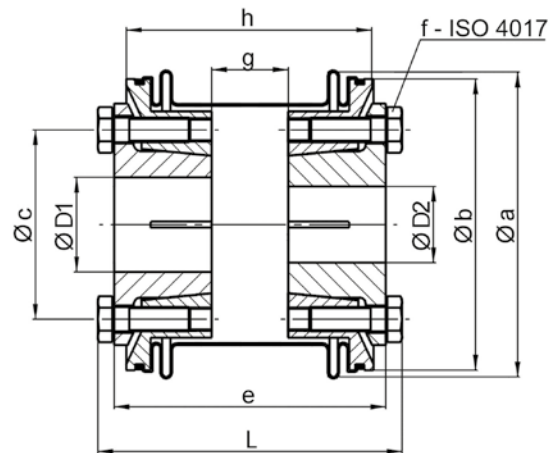
technical data:

KSS	T _N	moment of inertia	torsional stiffness	max. shaft misalignment (mm)		axial spring rate	lateral spring rate	mass approx.	tightening torque screws „f“
Size	[Nm]	[10 ⁻³ kgm ²]	[Nm/arcmin]	axial ±	lateral	[N/mm]	[N/mm]	[kg]	[Nm]
25	25	0,1	10	0,3	0,2	150	150	0,4	3
50	50	0,1	11	0,3	0,2	160	170	0,4	3
65	65	0,3	13	0,3	0,3	90	80	0,7	10
100	100	0,75	24	0,5	0,4	100	95	1,2	10
200	200	0,84	30	0,3	0,3	220	120	1,25	10
300	300	2,3	53	0,4	0,3	210	160	2,2	25
450	450	2,4	80	0,4	0,3	300	260	2,3	25
540	540	4,8	100	0,5	0,5	300	360	3,4	50
850	850	18	160	0,7	0,6	200	170	7,5	90
1500	1500	19	290	0,6	0,5	520	490	7,7	90
2500	2500	100	700	0,4	0,5	550	590	23	210

temperature range: -40°C up to +300°C
for higher torques see series KXL

material:

bellows: stainless steel
hubs: heat treated steel
screws: ISO 4017 / 10.9



Dimensions [mm]: length dimensions according to DIN ISO 2768 cH

KSS	Ø a	Ø b	Ø c	e	6 x f	g	h	L	Ø D 1/2		prebored
									min.	max.	
25	56	52	30	51	M 4	15	47	57	10	19	8
50	56	52	30	51	M 4	15	47	57	12	19	8
65	66	62	36	61	M 6	13	55	69	12	24	11
100	82	78	50	70	M 6	16	64	78	18	35	17
200	82	78	50	76	M 6	22	70	84	22	35	17
300	101	96	62	89	M 8	25	81	101	28	42	25
450	101	96	62	89	M 8	25	81	101	28	42	25
540	122	112	70	98	M 10	26	88	111	35	48	28
850	157	140	98	137	M 12	44	119	152	40	70	38
1500	157	140	98	137	M 12	44	119	152	42	70	38
2500	203	194	138	211	M 16	72	161	231	50	102	49

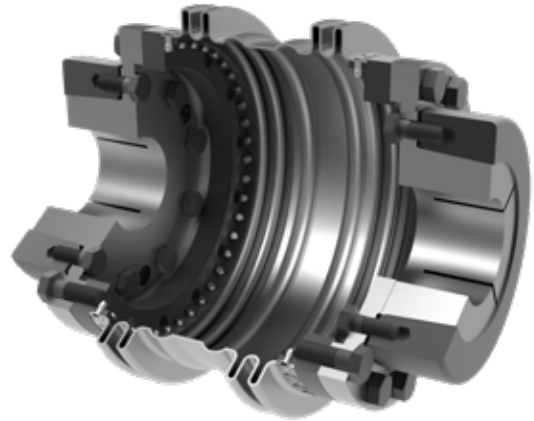
order example: KSS 450 - D1 = 28^{H7} D2 = 35^{F6}



Metal Bellows Coupling I Series KXL

- /// for high torques up to 65.000 Nm // backlash-free, exact torque transfer
- /// high torsional stiffness // low moments of inertia // high tolerance of shaft misalignments
- /// three-part construction // easy to fit // variable in use

The metal bellows couplings of the series KXL are constructed for medium size to big drives of up to 65.000 Nm. Although this type of coupling has proven itself reliable for years, the series was completely redesigned in order to make it even more attractive regarding technical parameters as well as the aspect of costs. It is very special because of the three-part construction with a flexible intermediate piece (bellows). This intermediate piece can be disassembled. It consists of an optimal torsionally stiff stainless steel bellows with 2 bellows shafts on each side and an intermediate pipe which is variable in length. The connection with the two hubs is frictionally engaged (screws acc. to ISO 4017/10.9). Therefore, assembly is much easier, as in case of inspection or service, the heavy drive unit or the output unit need not be disassembled. The designer can choose between several hub variations (see selection table). The very good moment of inertia and the rotation symmetrical design ensure good dynamic operation characteristics. KXL couplings are most suitable for precise drives, such as those used in printing machines, cross cutters, main spindle drives, transfer axes or used in combination with gearboxes. Medium transport or a parallel drive chain through the coupling interior is possible.



material:
 bellows: stainless steel
 flange: heat-treated steel - burnished
 hubs: heat-treated steel - burnished

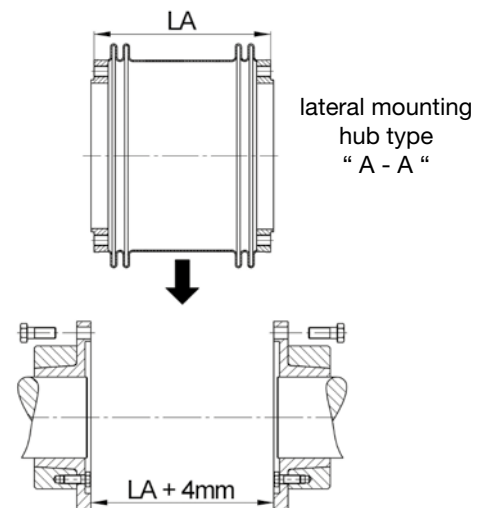
technical data:

KXL Size	torques		torsional stiffness CT [Nm/arcmin]	spring rate		max. shaft misalignment		
	nominal torque T _N [Nm]	maximum torque T _{max} [Nm]		axial C _a [N/mm]	angular C _w [N/°]	axial ±	angular	lateral
						d _a [mm]	d _w [°]	d _r [mm]
4	4.000	6.000	610	480	35	3	1,4	1,2
6,5	6.500	9.000	1000	550	55	3	1,3	1,4
9	9.000	13.000	1.700	650	115	3	1,3	1,5
12	12.000	17.000	2.200	490	85	3,5	1,4	2,0
18	18.000	25.000	3.200	500	125	3,5	1,3	2,3
28	28.000	38.000	5.700	460	180	4	1,2	2,3
50	50.000	65.000	11.000	570	225	4	1,2	2,5

maximum temperature range: -40°C up to +300°C

KXL Size	mass			moments of inertia		
	per hub A/B	per hub F/G	bellows	per hub A/B	per hub F/G	bellows
	m _A /m _B [kg]	m _F /m _G [kg]	m _{BP} [kg]	J _A /J _B [kgm ²]	J _F /J _G [kgm ²]	J _{BP} [kgm ²]
4	8	3	5,7	0,04	0,02	0,04
6,5	12	5	8,0	0,07	0,04	0,08
9	16	6,5	10,5	0,12	0,07	0,14
12	21	8	14	0,17	0,08	0,24
18	31	11	20	0,37	0,18	0,47
28	52	20	30	0,94	0,53	1,12
50	95	30	45	2,5	1,4	2,65

note: The technical data corresponds to bellows with standard length 'L16' or 'LA'. Different lengths are available on request



Metal Bellows Coupling I Series KXL

Dimensions [mm]:

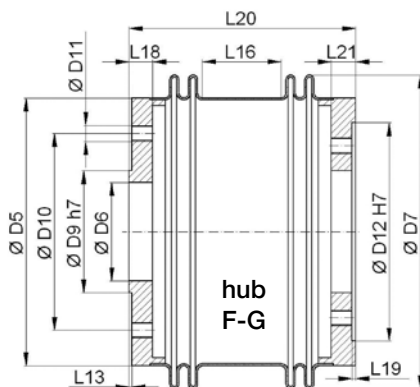
length dimensions according to DIN ISO 2768 cH

Size	4	6,5	9	12	18	28	50
D1 min	70	75	80	90	110	130	150
D2 max	90	100	108	130	150	170	220
D3	157	168	190	205	247	296	380
D5	167	198	256	273	322	406	505
D7	203	236	259	319	372	460	561
D8	152	183	193	208	250	325	416
L1	62	70	77	85	91	105	120
L2	53,5	60,5	66	74	79	93	108
L3	46	50	54	62	66	78	88
L4**	286	321	351	399	442	497	537
L5	-	20	23	23	25	27	30
L6	-	7,5	8,8	10	11,5	12,5	12,5
L7	-	43	48,8	55	62	68	72,5
L8	-	38	48,8	44	55	55	66,5
L9	-	68	75	83	89	103	118
L10**	-	217	239	271	306	337	357
L12**	-	267	293	333	372	415	447
L16*	41	50	59	80	100	110	120
LA ±2	158	177	193	225	256	283	297
L18	21	24	25	25	30	30	34
L20**	164	188	200	232	266	288	304
L21	21	24	25	25	30	30	34
f	12 x M10	12 x M12	12 x M14	14 x M16	12 x M18	12 x M20	16 x M20
i	10 x M10	9 x M12	8 x M14	9 x M14	8 x M16	10 x M16	12 x M18
DT***	4 x M10	3 x M14	4 x M16	3 x M20x1,5	4 x M20x1,5	4 x M20x1,5	6 x M20x1,5
TA-f [Nm]	65	115	180	250	350	500	500
TA-i [Nm]	65	115	180	180	250	250	350

*standard length - intermediate part

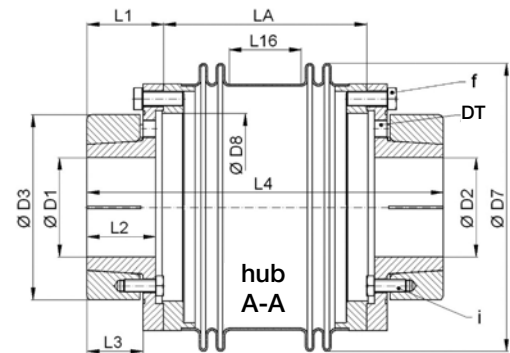
**overall length for standard length L16

***draw-off thread



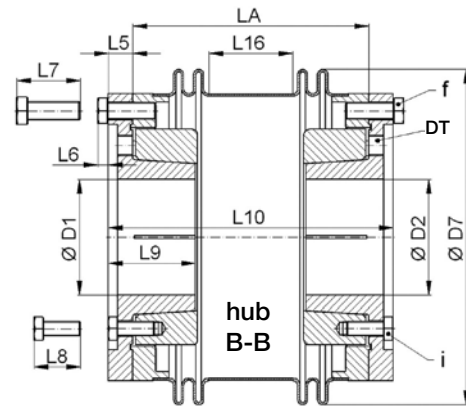
hub type F/G:

attached flange acc. to ISO 9409 or customer requirements - center outside or inside. Dimensions of flange hub types F and G of L13, L19 and D6, D9, D10, D11, D12 customized



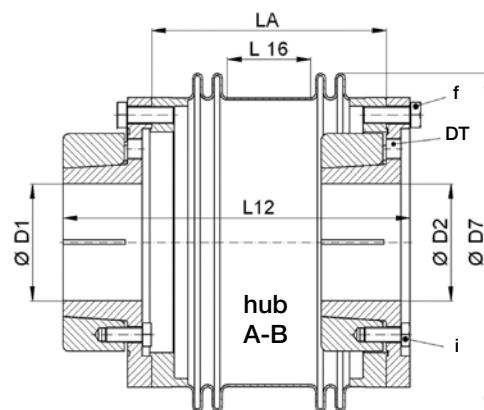
hub type A:

frictional, backlash-free conical clamping ring connection, external free lateral disassembly of the bellows part. The elongation of total length "L4" of the intermediate piece of 4 mm at mounting is already taken into consideration (see mounting picture)



hub type B:

frictional, backlash-free conical clamping ring connection, internal free lateral disassembly of the bellows part is NOT possible



hub type A/B:

frictional, backlash-free conical clamping ring connection - external - internal - free lateral disassembly of the bellows part is NOT possible

order example:

KXL 6,5 - AA / L4 = 318 / D1 = 80^{H7} / D2 = 90^{H7}

KXL 13,5 - BG / L16 = 200 / D1 = 120^{G6} / D2 = customer specific



Metal Bellows Coupling I Series KPS

- /// 4-corrugation bellows // short design // simple installation with lateral EASY-clamping hub
- /// expanding cone hub for direct mounting // internal axial stop

technical data:

KPS size	T_N [Nm]	moment of inertia [10^{-3}kgm^2]	torsional stiffness [Nm/arcmin]	max. shaft misalignment (mm)		axial spring rate [N/mm]	lateral spring rate [N/mm]	mass approx. [kg]	tightening torque of screws f / i [Nm]
				axial \pm	lateral				
2	2	0,01	0,4	0,25	0,1	32	100	0,03	2 / 2
8	8	0,02	1,9	0,5	0,15	20	90	0,1	8 / 8
20	20	0,13	7	0,5	0,2	70	480	0,3	14 / 14
60	60	0,28	13	0,6	0,2	70	650	0,4	35 (30) / 35
170	170	0,94	27	0,8	0,2	100	1000	0,8	65 (50) / 65
400	400	1,95	64	0,7	0,2	135	1500	1,4	115 (90) / 115
600	600	4,2	107	0,7	0,2	145	3000	2,7	180 (140) / 115

(*) note: reduced tightening torque for bigger hub bore diameter - see also $\text{Ø} D 1 \text{max!}$

material:

bellows: stainless steel

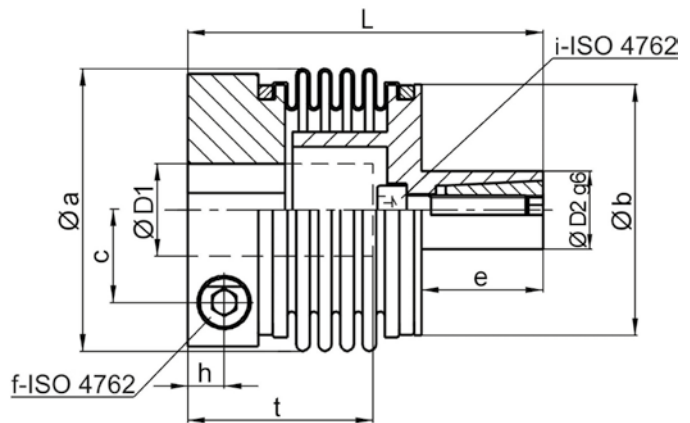
hubs: high-tensile aluminum

expanding cone: heat-treated steel

screws: ISO 4762 / 12.9

temperature range:

-40°C up to +200°C



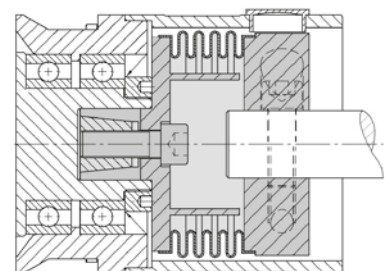
Dimensions [mm]: length dimensions according to DIN ISO 2768 cH

KPS	Øa	Øb	c	e	f / i	h	L	t_{\min}	t_{\max}	ØD1		ØD2	
										min	max	min	max
2	24,5 [27,5]	22	7,5	10	M 3	4,5	38	11	20 [14]	3	10 [14]	8	12
8	40 [44,5]	35	13	20	M 5	6	61	15,5	33	6	19 [21]	13	18
20	56	51	19	23	M 6	8	71	19	38	8	32	15	20
60	66	61	22	23	M 8	9	75	21	40	13	28 [35]	20	28
170	82	77	28,5	30	M 10	11,5	92	25	48	18	32 [43]	24	32
400	101	95	35	32	M 12	13	102	28	56	28	42 [55]	30	38
600	122	110	42	42	M14/M12	16	120	31	63	32	55 [68]	35	48

note: the bore sizes for the expanding cone $> \text{Ø} D2 \text{ g6} <$ with tolerance H7 sizes KPS 2 and KPS 8 without EASY-clamp, available in two diameters (see squared brackets).

application example: compact and integrated attachment of a KPS

order example: KPS 20 - D1 = 15 ^{H7} - D2 = 20 g6





Metal Bellows Coupling I Series KHS

- /// "high-speed" version // speeds up to 30.000 min⁻¹ // high balance quality
- /// rotational symmetry // low moment of inertia // stainless steel design

technical data:

KHS size	T _N [Nm]	moment of inertia [10 ⁻³ kgm ²]	torsional stiffness [Nm/arcmin]	max. shaft misalignment (mm)		axial spring rate [N/mm]	lateral spring rate [N/mm]	mass approx. [kg]	tightening torque of screw [Nm]
				axial ±	lateral				
15	15	0,03	2	0,5	0,1	20	90	0,15	3
40	40	0,13	9	0,5	0,1	70	480	0,30	4
100	100	0,37	20	0,6	0,1	120	1200	0,55	8
200	200	0,86	28	0,7	0,1	100	1000	0,83	12
400	400	2,5	70	0,7	0,1	135	1500	1,6	30
600	600	5,3	100	0,7	0,1	145	3000	2,5	45

temperature range: -40°C up to +200°C

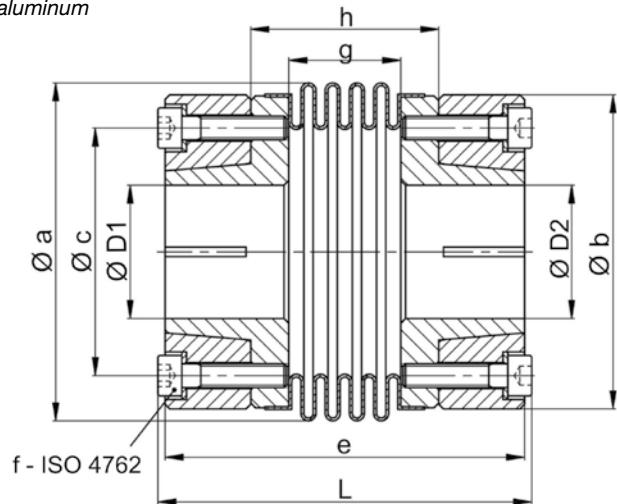
material:

bellows: stainless steel

conical hub: high-tensile aluminum

conical ring: high-tensile aluminum

screws: ISO 4762 / 12.9



Dimensions [mm]: length dimensions according to DIN ISO 2768 cH

KHS	Ø a	Ø b	Ø c	e	6 x f	g	h	L	Ø D 1/2		prebored
									min	max	
15	40	38	27	61	M 4	18	32	67	6	15	5
40	56	53	40	67	M 4	21	35	71	14	22	8
100	71	66	52	77,5	M 5	23	39	80,5	17	32	12
200	82	78	62	89	M 6	28	46	94	22	40	15
400	101	98	78	106	M 8	33	55	112	26	50	18
600	122	113	91	125	M 10	36	62	130	30	60	22

note: A special conical clamping hub will be used for the force-fit shaft-hub-connection. At specified tightening torques, the conical ring is pulled against the conical hub at the 'block-stop position.' The clearance width is reduced to zero. Jamming or overload of the conical ring (taper ring) is impossible.

order example: KHS 400 - D1 = 28^{H7} D2 = 40^{G6}



Metal Bellows Coupling I Series KGE

- /// for standardized interface connection DIN - EN - ISO 9409 - 1
- /// two-part connection flange // compact design // sturdy all-metal version
- /// simple installation with lateral EASY-clamping hub at output side // temperatures up to 300°C

technical data:

KGE Size	nominal torque [Nm]	ISO 9409 interface	moment of inertia [10 ⁻³ kgm ²]	torsional stiffness [Nm/arcmin]	max. shaft axial displacement (mm)		lateral spring rate [N/mm]		spring rate [N/mm]	mass approx [kg]	tightening torque of screws [Nm]		
					axial ±	lateral	4W 2W	4W 2W			4W 2W	4W 2W	f
40	40	A-31,5	0,2	3,4 6	0,5 0,3	0,15 0,1	55 100	360 2100	0,6	16	8	4	
140	140	A-50	1,2	20 32	0,6 0,3	0,2 0,1	110 210	1200 7000	1,3	40	14	8	
220	220	A-63	2	28 50	0,7 0,4	0,2 0,1	95 170	1000 5000	1,7	80	14	14	
350	350	A-80	4,2	52 93	0,8 0,4	0,2 0,1	90 170	1300 7000	2,6	135	35	14	
700	700	A-100	9,1	106 190	0,8 0,4	0,2 0,1	140 260	2800 15000	4,3	135	65	35	
1800	1800	A-125	34	300 --	1 --	0,2 --	250 --	4700 --	8,2	300	65	35	

Standard with 4-corrugation bellows 4W; alternative available with 2-corrugation bellows 2W.

- allowed maximum torque = 2 x nominal torque
- maximum speed up to 20.000 min⁻¹

Material:

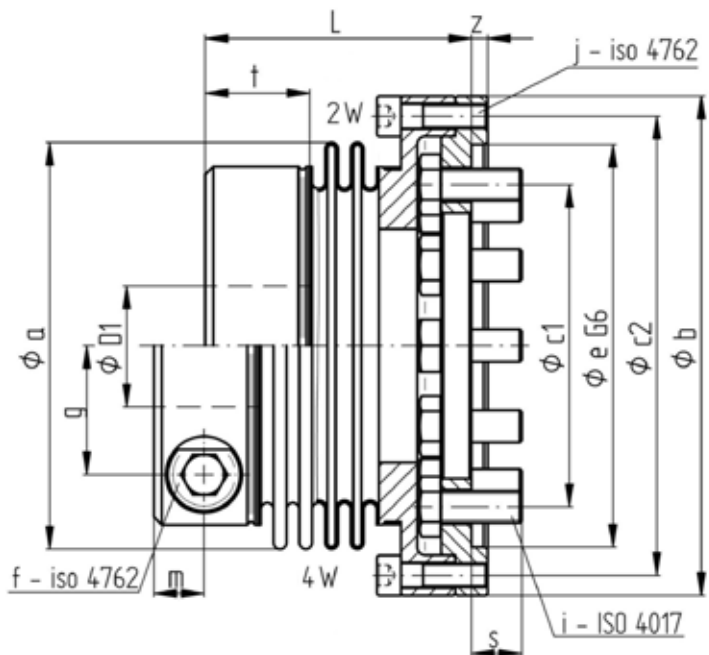
bellows: stainless steel

flange ring: heat treated steel - carbonized

clamping hub / flange hub: steel (St 52)

screws: ISO 4762/12.9

ISO 4017/10.9



Dimensions [mm]: length dimensions according to DIN ISO 2768 cH

KGE	Øa	Øb	Øc1	Øc2	Øe	f	g	i	j	L		m	s	t	z	ØD1	
										4W	2W					min	max
40	56	63,5	31,5	56,5	40	M6	18	8xM5	8xM4	57	46	7,5	7	16	2,5	12	32
140	71	88,5	50	80	63	M8	27	8xM6	8xM5	64	54	9	9,5	18,5	4	18	42
220	82	104	63	94	80	M10	27,5	12xM6	8xM6	71	59	11,5	10,5	22,5	4	20	42
350	101	124	80	114	100	M12	32	12xM8	12xM6	79	67	12,5	12,5	26	4	22	50
700	122	155	100	142	130	M12	40	12xM10	12xM8	89	73	11,5	15,5	24	4	42	64
1800	157	184	125	171	160	M16	54	12xM10	16xM8	107	-	17,5	18,5	68,5	4	50	90

order example:

KGE 350 / 4W

ØD1 = 38 G7

/ for ISO 9409 - interface A-80

KGE 140 / 2W

ØD1 = 28 G7

/ for ISO 9409 - interface A-50

Metal Bellows Couplings I Further Series

Based on series KE with flange hubs

- ✓ screw connection - external or internal
- ✓ customized version on request
- ✓ variable dimension / all metal bellow versions possible



Combination KM/KSD

- ✓ for connection of drive shafts with different shaft diameters - lateral clamping hub for big diameters,
- ✓ conical clamping hub for small diameters



Form-fitted hub version

- ✓ clamping hub additional with keyway
- ✓ special hubs with internal toothing such as DIN 5480
- ✓ low-backlash pluggable or slide mounting for profile shafts
- ✓ as forced rotation due to overload (observe Tmax of metal bellow)
- ✓ optional for all series on request

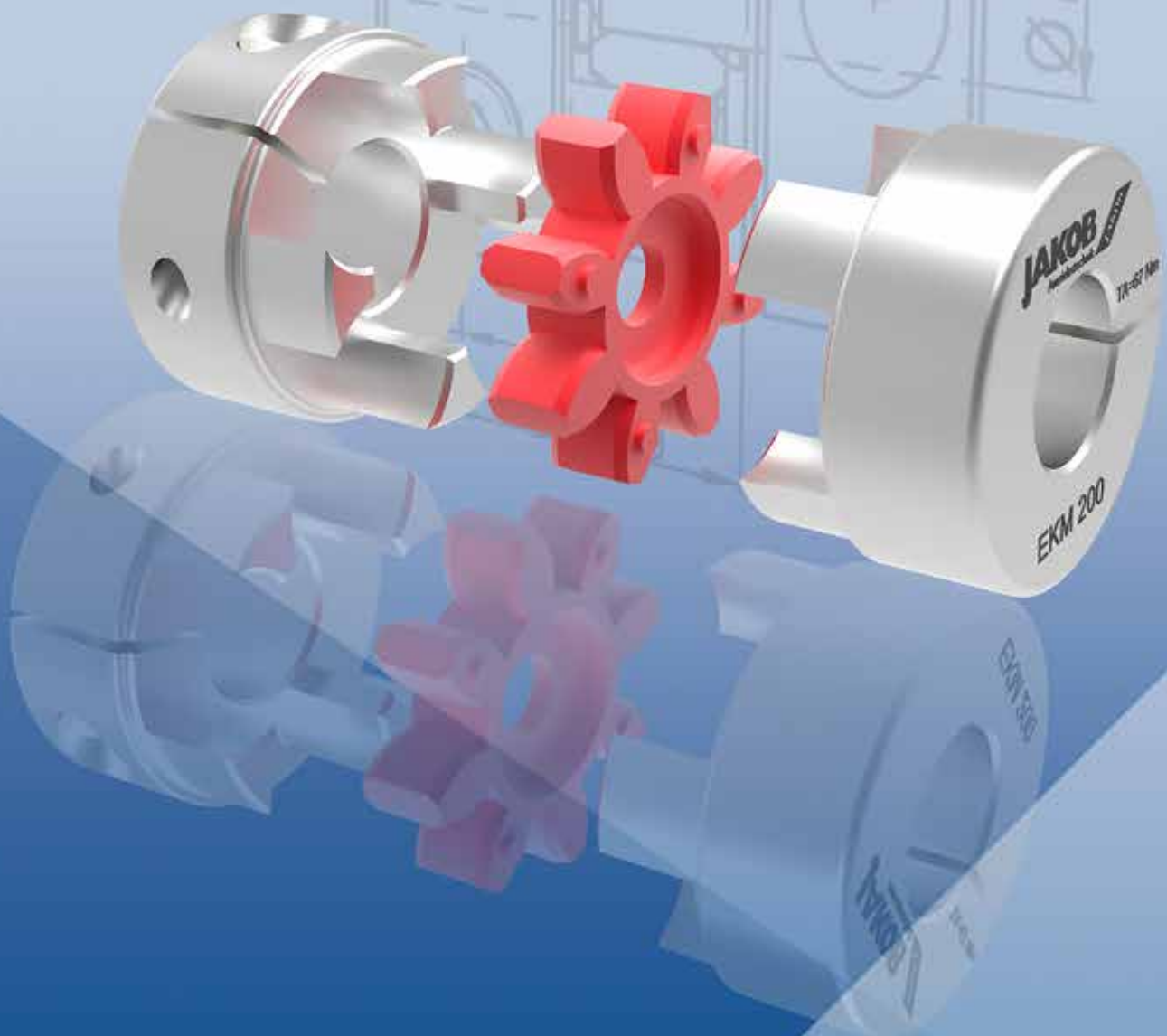


Forced rotation for bellow breaking protection

- ✓ bellow breaking protection by intern forced rotation (claw stop) for increased system stability in case of malfunction of the metal bellow due to overload or incorrect high shaft misalignment, Generally possible as special solution for all series



Elastomer couplings



Elastomer Couplings | General

Definition – Elastomer Couplings:

Elastomer couplings can be plugged in, are backlash-free, flexible shaft couplings for small to medium torques. An elastomer spider serves as connection and compensating element with involute teeth and a high shore hardness. This is inserted in form-fit, with slight preload between two high-precision machined hubs with involutely shaped jaws. The elastomer spider can compensate slight shaft misalignments, is electrically insulating and has good oscillation dampening characteristics. Two variations with backlash-free, frictional shaft-hub connection are available as standard which ensure safe torque transfer even without keyways.



Characteristics – JAKOB Elastomer Couplings:

- /// plug-in // backlash-free // flexible // compact
- /// oscillation dampening // different shore hardnesses
- /// low moment of inertia // high speeds
- /// electrically insulating // temperatures up to 120°C

Coupling dimensioning:

The main layout criteria are the required drive torque, the necessary torsional stiffness, the running speeds, the dampening characteristics of the coupling, and the moment of inertia. Additionally, the minimum or maximum possible shaft diameter, the admissible temperature range, operating factors, and the existing shaft misalignment (particularly the lateral misalignment) must be taken into consideration.

Approximation of required torque:

Roughly, the required coupling torque T_K can be calculated as for the following formula:

$$T_K = T_A \cdot f_D \cdot f_T \cdot f_B < T_{KN}$$

T_A = drive torque [Nm]
 f_D = torsional stiffness factor
 f_T = temperature factor
 f_B = operating factor

The calculated coupling torque T_K should not exceed the nominal torque of the selected coupling size. Short term overload up to twice the value of the nominal torque is admissible. The drive torque results from product information of drive motor or can be calculated via motor output P_A .

$$T_A = \frac{9550 \cdot P_A}{n_B}$$

T_A = drive torque [Nm]
 P_A = motor output [KW]
 n_B = motor speed [min^{-1}]

Temperature factor f_T :

Admissible temperature range for continuous operation
 PUR 98 Sh - A: -30°C up to +90°C
 PUR 72 Sh - D: -20°C up to +120°C

operating temperature	+30°C	+50°C	+70°C	+90°C	+110°C
factor f_T	1	1,3	1,6	1,8	2

Elastomer Couplings I General

Torsional stiffness factor f_D :

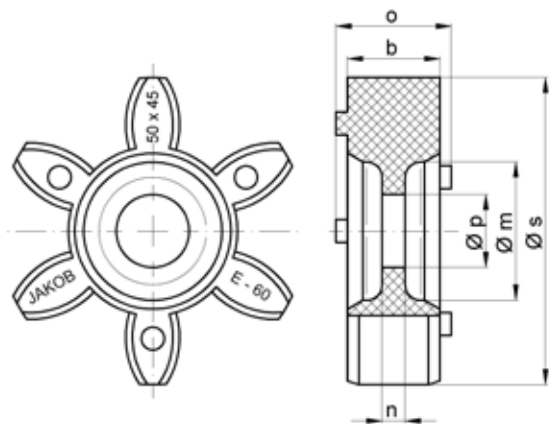
If an exact, accurate transfer of the torque is required, as for instance with servo drives or measuring systems, a high torsional stiffness is absolutely necessary. Here the required drive torque should be multiplied with a operating factor of at least 3 to 10 when selecting the size, or a torsionally stiff metal bellows coupling selected from the extensive coupling range in this catalogue.

Operating factor f_B :

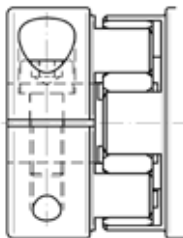
Due to operating factor f_B application specific peculiarities, such as shock loading, are taken into consideration.

Dimensions - elastomer spider [mm]:

Size	$\varnothing s$	$\varnothing m$	n	b	o	$\varnothing p^{+0,5}$
8/10	32	10,5	2	10	13	8,5
15/17/20/25	40	18	3	12	15	9,5
30/43/45/50	50	27	3	14	17	12,5
60/90	55	27	3	14	17	12,5
150/200	65	30	4	18	18	16,5
300/320/400	80	38	4	18	22	16,5
500	100	47	5	22	26	20,5
700/1000	120	58	6	25	30	22,5
2000	160	77	7	32	38	60



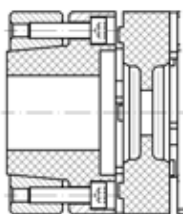
Hub types:



EKM - lateral clamping hub

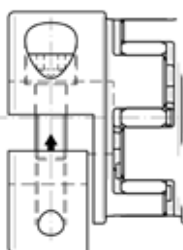
Admissible seat clearance shaft hub: **min. 0,01mm / max. 0,04mm.**

Very simple fitting by tightening only one laterally arranged clamping screw (DIN 912). The value for the relevant tightening torques can be found in the data sheets. One hole in the housing is sufficient to tighten the clamping screw (see EASY-clamp system).



ESM-A - conical hub / conical ring hub

Allowable clearance shaft hub: **max.0,02mm.** For the ESM-A coupling type, an axial plug-in installation is generally required. For this purpose, both hub parts are previously fastened on the drive and output shaft, the star is inserted into a claw hub, and finally the other claw hub is pushed onto the star by means of an axial mounting force. The conical clamping ring is fastened from "inside" by tightening the fastening screws with hexagon socket crosswise. The hub clearance dimension "g" must be observed and checked. Several release threads are provided for releasing the cone hub.



EKH - split-hub

Admissible seat clearance shaft-hub: **min. 0,01mm /max. 0,04mm.**

Two lateral clamping screws (DIN 912) are arranged oppositely. The hubs or couplings are split and consist of two loose halves. One of the split-hubs can be put onto the aligned shaft. Tighten clamping screws evenly, alternating between both sides (note specified tightening torques). A larger opening must be provided in the housing for easy installation.

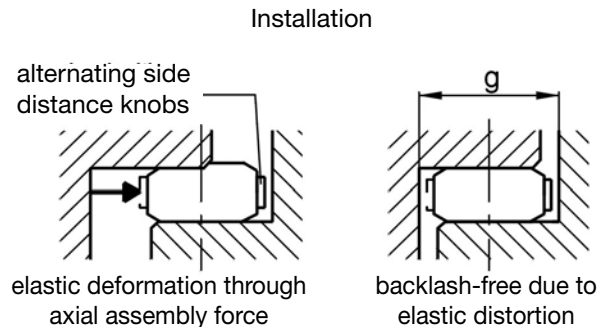
further hub types on request

Elastomer Couplings I Installation Instructions

Installation:

The design of the ESM-A couplings requires mounting of the two hub halves on the shaft ends before the actual plug-in assembly. It is important that the mounting screws are tightened crosswise to prevent surface distortion of the conical clamping ring. Couplings of the EKM series on the other hand, can be assembled completely before hub mounting. For mounting the EKM hub, only a laterally arranged clamping screw must be tightened. In the case of the EKH series, the fixed hub halves can be placed on the shaft pegs for easy assembly and fixed by means of two clamping screws with the loose half-shell pieces.

Chamfered edges at the face enable the blind assembly with both versions. Due to the obligatory preclamping of the elastomer, an axial assembly force must be applied while sliding together the coupling spider and the jaws. This assembly force can be minimized by slight oiling the spider. For disassembly of the ESM conical hub, draw-off threads are provided for releasing the clamping ring. The relevant tightening torques of the retaining screws can be found in the technical data sheets.



tolerable seat clearance shaft / hub: Series ESM-A: max 0,02 mm
Series EKM/EKH: min 0,01 mm / max 0,04 mm (see *installation instructions page*)

materials: hubs EKM / EKH / ESM-A: high-tensile aluminum
conical ring / taper ring ESM-A / expanding cone EKZ: tempered steel
elastomer spider: polyurethane (98 Shore A / 72 Shore D / others available on request)

Notes:

- ✓ The dampening capability of the elastomer spider protects the drive to a high extent from dynamic overload. Both coupling halves are always forced to move (min. $3 \times T_N$) because of the jaw construction, even if the spider should break down entirely.
- ✓ Because of the deformation of the elastomer spider under operation conditions, the housing (bell) should be approximately 5 % bigger than the outer diameter of the coupling itself.
- ✓ To ensure satisfactory function, dimension 'g' should be complied with as exactly as possible. The distance of the two shaft ends can be smaller than 'g' under consideration of measurements 'm' and 'n' of the spider.
- ✓ If required by the application or requested by the customer, diameter 'p' of the spider can be expanded up to $\varnothing m - 2\text{mm}$
- ✓ For smaller shaft diameters, the conical hub of ESM-couplings is slotted additionally.



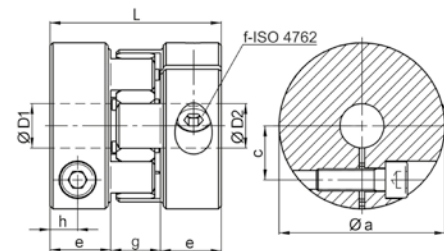
Elastomer Coupling I Series EKM

- /// with clamping hub on both sides // plug-in // backlash-free
- /// cost-effective standard series

technical data:

EKM	T _N	hardness	moment of inertia	torsional stiffness (stat. 0,5 x T _N)	max. shaft misalignment (mm)		lateral spring rate	mass approx.	hubs Ø D 1/2 prebored
size	[Nm]	[shore]	[10 ⁻³ kgm ²]	[Nm/arcmin]	axial ±	lateral	[N/mm]	[kg]	
8	8	98 Sh-A	0,01	0,09	0,5	0,10	600	0,06	Ø 5
15	15	98 Sh-A	0,03	0,24	0,5	0,10	2100	0,12	Ø 6,1
20	20	72 Sh-D	0,03	0,46	0,5	0,10	2900	0,12	Ø 6,1
30	30	98 Sh-A	0,09	0,7	0,5	0,10	2500	0,21	Ø 8,5
45	45	72 Sh-D	0,09	1,1	0,5	0,10	3600	0,21	Ø 8,5
60	60	98 Sh-A	0,18	1,0	0,5	0,10	2600	0,32	Ø 12
90	90	72 Sh-D	0,18	2,0	0,5	0,10	3700	0,32	Ø 12
150	150	98 Sh-A	0,38	1,2	1	0,10	3300	0,52	Ø 15
200	200	72 Sh-D	0,38	2,3	1	0,07	4600	0,52	Ø 15
300	300	98 Sh-A	1,0	3,6	1	0,12	4500	0,9	Ø 18
400	400	72 Sh-D	1,0	7,0	1	0,10	6500	0,9	Ø 18
500	500	98 Sh-A	2,2	4,5	1	0,15	5900	1,5	Ø 20
700	700	98 Sh-A	5,2	8,0	1	0,15	7000	2,5	Ø 24
1000	1000	72 Sh-D	5,2	12	1	0,10	9600	2,5	Ø 24
2000	2000	98 Sh-A	50	21	1	0,15	9000	14	Ø 30

material:
 elastomer spider: polyurethane
 hubs: high-tensile strength aluminum
 (size 2000: tempered steel)
 screws: ISO 4762 / 12.9



Dimensions [mm]: length dimensions according to DIN ISO 2768 cH

EKM	Ø a	c	e	g	h	L	f	Ø D 1/2 min	Ø D 1/2 max	Ø D ** max
8	32	10,5	13,5	13	6	40	M 4 - 4 Nm	8	15	-
15	40	13	17	16	8	50	M 5 - 8 Nm	8	20	-
20	40	13	17	16	8	50	M 5 - 8 Nm	10	20	-
30	50	16,5	20	18	9	58	M 6 - 14 Nm	10	25	Ø 30
45	50	16,5	20	18	9	58	M 6 - 14 Nm	15	25	Ø 30
60	60	19,5	22	18	10	62	M 8 - 35 Nm	13	28	Ø 32
90	60	19,5	22	18	10	62	M 8 - 35 Nm	16	28	Ø 32
150	70	23	26,5	20	12	73	M 10 - 65 (50)* Nm	18	27 (32)*	Ø 38
200	70	23	26,5	20	12	73	M 10 - 65 (50)* Nm	20	27 (32)*	Ø 38
300	85	29	31	24	14	86	M 12 - 115 (90)* Nm	20	34 (40)*	Ø 48
400	85	29	31	24	14	86	M 12 - 115 (90)* Nm	24	34 (40)*	Ø 48
500	100	36	33	28	16	94	M 12 - 115 (90)* Nm	28	48 (56)*	-
700	120	44	38	33	18	109	M 14 - 180 (140)* Nm	32	60 (70)*	-
1000	120	44	38	33	18	109	M 14 - 180 (140)* Nm	42	60 (70)*	-
2000	160	55,5	42	40	21	124	M 16 - 290 Nm	50	90	-

note:

- (*) reduced tightening torque for bigger hub bore diameter - see also Ø D 1/2max f!
- (**) Largest possible hub bore diameter with smaller clamping screw thread optionally available.

order example: EKM 90 D1 = 24^{G7} D2 = 28^{G6}
 EKM 150 M8 / M8 - D1 = 35^{G7} D2 = 38^{H6}



Elastomer Coupling I Series EKH

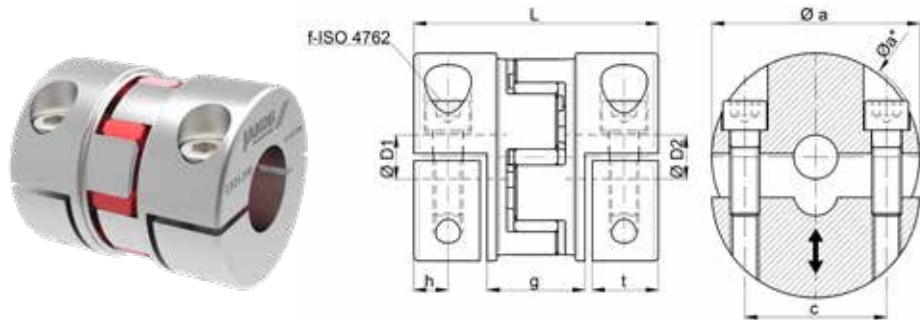
with split-hub design / plug-in / backlash-free / stainless

technical data:

EKH	T _N	hardness	moment of inertia	torsional stiffness (stat. 0,5 x T _N)	max. shaft-misalignment (mm)		lateral spring rate	mass approx.	tightening torque of screws
size	[Nm]	[Shore]	[10 ⁻³ kgm ²]	[Nm/arcmin]	axial ±	lateral	[N/mm]	[kg]	"f" [Nm]
15	15	98 Sh-A	0,03	0,24	0,5	0,10	2100	0,17	8
20	20	72 Sh-D	0,03	0,46	0,5	0,07	2900	0,17	8
30	30	98 Sh-A	0,09	0,7	0,5	0,10	2500	0,30	14
45	45	72 Sh-D	0,09	1,1	0,5	0,07	3600	0,30	14
60	60	98 Sh-A	0,2	1,0	0,5	0,10	2600	0,50	35
90	90	72 Sh-D	0,2	2,0	0,5	0,07	3700	0,50	35
150	150	98 Sh-A	0,4	1,2	1	0,10	3300	0,75	65
200	200	72 Sh-D	0,4	2,3	1	0,07	4600	0,75	65
300	300	98 Sh-A	1,0	3,6	1	0,12	4500	1,3	115
400	400	72 Sh-D	1,0	7,0	1	0,10	6500	1,3	115
700	700	98 Sh-A	6,0	8,0	1	0,15	7000	3,2	180
1000	1000	72 Sh-D	6,0	12	1	0,10	9600	3,2	180
2000	2000	98 Sh-A	62	21	1	0,15	9000	18,5	290

material:

elastomer spider: polyurethane
 split-hubs: high tensile aluminum
 (size 2000 heat treated steel)
 screws: ISO 4762 / 12.9 - coated



Dimensions [mm]: length dimensions according to DIN

EKH	Ø a	Ø a*	c	g	h	t	L	f	Ø D 1/2 min	Ø D 1/2 max	Ø D 1/2 prebored
15	40	42	27	26	8,5	16	62	M5	8	20	6,1
20	40	42	27	26	8,5	16	62	M5	10	20	6,1
30	50	52	34	30	10	18	72	M6	10	26	8,5
45	50	52	34	30	10	18	72	M6	15	26	8,5
60	60	63	41	30	11,5	22	78	M8	13	30	12
90	60	63	41	30	11,5	22	78	M8	16	30	12
150	70	76	48	32	14	26	89	M10	18	35	15
200	70	76	48	32	14	26	89	M10	20	35	15
300	85	91	58	40	15	28	102	M12	20	42	18
400	85	91	58	40	15	28	102	M12	24	42	18
700	120	125	90	53	18	34	127	M14	32	70	23
1000	120	125	90	53	18	34	127	M14	42	70	23
2000	160	165	122	64	24	43	156	M16	48	100	30

Installation Instructions:

The split-hub design allows a backlash-free, force-fitted clamping connection with simple operation. Misalignment errors between the input and output shafts can thus be easily controlled and corrected. For easy assembly, the fixed hub halves can be placed on the shaft pegs and the loose hub pieces can be screwed on. In the case of service, the complicated disassembly of the drive and output units isn't necessary. The distance between the drive shaft and the output shaft must be greater than the dimension „g“.

order example: EKH 200 - D1 = 26^{G6} D2 = 32^{H6}



Elastomer Coupling I Series ESM-A

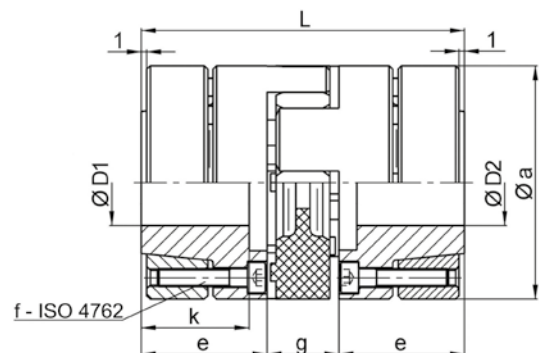
- /// with conical hub and clamping ring // plug-in // backlash-free
- /// rotational symmetry // high speeds

technical data:

ESM-A size	T _N [Nm]	hardness [Shore]	moment of inertia [10 ⁻³ kgm ²]	torsional stiffness (stat. at 0,5 x T _N) [Nm/arcmin]	max shaft misalignment (mm)		lateral spring rate [N/mm]	mass approx. [kg]	tightening torque of screws [Nm]	max. speed [min ⁻¹]
					axial ±	lateral				
10	10	98Sh-A	0,015	0,09	0,5	0,1	600	0,11	2	30.000
17	17	98Sh-A	0,05	0,24	0,5	0,1	2100	0,28	4	24.000
25	25	72Sh-D	0,06	0,46	0,5	0,07	2900	0,28	4	24.000
43	43	98Sh-A	0,19	0,7	0,5	0,1	2500	0,4	8	19.000
50	50	72Sh-D	0,19	1,1	0,5	0,07	3600	0,4	8	19.000
60	60	98Sh-A	0,28	1,0	0,5	0,1	2600	0,6	8	17.500
90	90	72Sh-D	0,28	2,0	0,5	0,07	3700	0,6	8	17.500
150	150	98Sh-A	0,65	1,20	1	0,1	3300	0,9	8	15.000
200	200	72Sh-D	0,65	2,30	1	0,07	4600	0,9	8	15.000
320	320	98Sh-A	2,0	3,6	1	0,12	4500	1,9	35	12000
400	400	72Sh-D	2,0	7,0	1	0,1	6500	1,9	35	12.000
500	500	98Sh-A	5,6	4,5	1	0,15	5900	4,5	65	9.500
700	700	98Sh-A	13,0	8,0	1	0,15	7000	7,0	115	8.000
1000	1000	72Sh-D	13,0	12	1	0,10	9600	7,0	115	8.000
2000	2000	98Sh-A	75	21	1	0,15	9000	20,4	115	6.000

material:

elastomer spider: polyurethane
 (size 2000: tempered steel)
 screws: ISO 4762 / 12.9
 conical hub: high-tensile aluminum
 clamping ring: heat treated steel - burnished



Dimensions [mm]: length dimensions according to DIN ISO 2768 cH

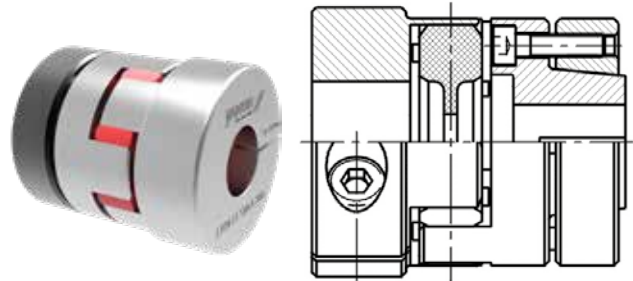
ESM-A	Ø a	e	f	g	k	L	Ø D 1/2 min.	Ø D 1/2 max.	Ø D 1/2 prebored
10	32	18,5	4x M 3	13	15,5	50	6	14	5
17	40	25	6x M 4	16	21	66	9	19	9
25	40	25	6x M 4	16	21	66	10	19	9
43	50	30	4x M 5	18	25	78	12	24	10
50	50	30	4x M 5	18	25	78	15	24	10
60	55	30	4x M 5	18	25	78	13	26	12
90	55	30	4x M 5	18	25	78	16	26	12
150	65	35	8x M 5	20	30	90	17	36	12
200	65	35	8x M 5	20	30	90	19	36	12
320	80	45	4x M 8	24	40	114	20	40	18
400	80	45	4x M 8	24	40	114	25	40	18
500	100	55	4x M 10	28	49	138	22	48	20
700	120	61	4x M 12	33	54	155	25	60	24
1000	120	61	4x M 12	33	54	155	25	60	24
2000	160	73	8x M 12	40	66	186	35	85	34

order example: ESM-A 150 - D1 = 17^{G7} D2 = 22^{H6}

Elastomer Couplings I Further Series

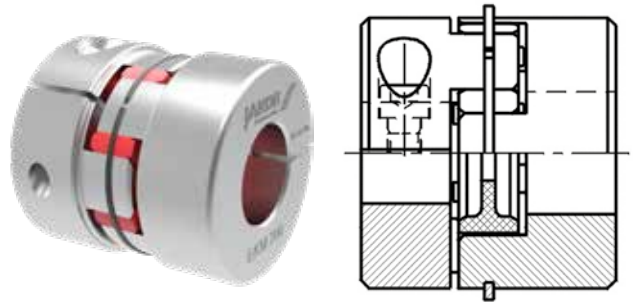
Combination EKM – ESM

- ✓ for connection of shafts with huge differences between diameters
- ✓ facilitates the assembly of shaft-hub-connections:
 - 1.) ESM-hub from inside
 - 2.) plug-in assembly - elastomer spider
 - 3.) EKM-hub laterally from outside
- ✓ to achieve fitting of intermediate length



Axial stop design

- ✓ by additional snap ring at the periphery
- ✓ for taking up and supporting large axial forces
- ✓ nevertheless compensation of parallel and angular misalignment
- ✓ may also be used for easier mounting

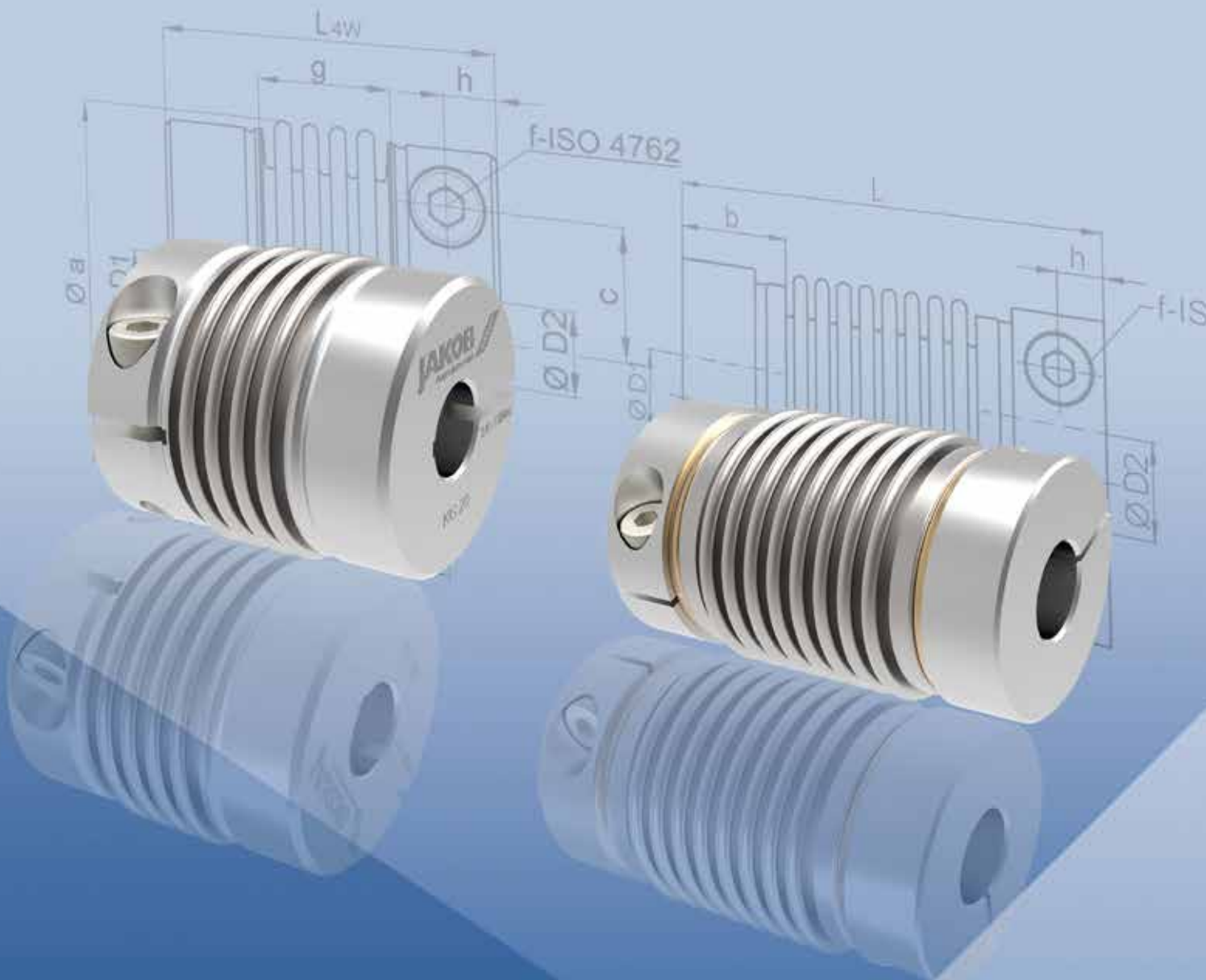


Series EKS with expanding cone

- ✓ short design for hollow - shaft - assembly
- ✓ 7 sizes from 8 - 700 Nm
- ✓ variable conical shaft diameter
- ✓ data sheet on request or see www.jakobantriebstechnik.de



Miniature couplings





Miniature Metal Bellows Coupling I Series MKM

standard series with lateral clamping hub

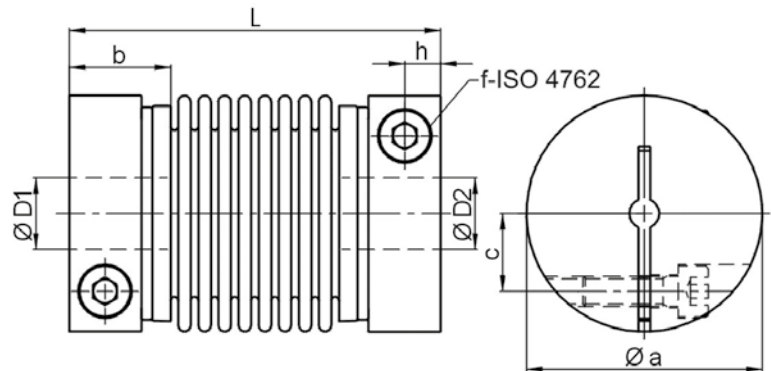
technical data:

MKM size	T_N [Nm]	max. speed [min ⁻¹]	moment of inertia [10 ⁻⁶ kgm ²]	torsional stiffness [10 ⁻³ Nm/arcmin]	max. shaft misalignment (mm)		spring rate [N/mm]		mass approx. [g]	tightening torque of screws [Nm]
					axial ±	lateral	axial	lateral		
0,4	0,4	20.000	0,3	50	0,35	0,2	10	15	10	1
0,9	0,9	20.000	0,4	90	0,3	0,2	21	26	12	1
2	2	12.000	3,0	230	0,5	0,2	15	15	30	2
4	4	12.000	3,0	460	0,4	0,2	35	65	40	2
7	7	12.000	14	1100	0,6	0,25	45	60	80	4
8	8	12.000	26	1350	0,8	0,30	16	24	130	8
12	12	12.000	30	2050	0,7	0,25	40	70	140	8

temperature range: -40°C up to +200°C

material:

bellows: stainless steel aluminum
hubs: high-tensile strength screws: ISO 4762 / 12.9



Dimensions [mm]: length dimensions according to DIN ISO 2768 cH

MKM	Øa	b	c	f	h	L ±0,5	ØD1/2min	ØD1/2max
0,4	16,5	9	4,6	M 2,5	3,3	30	3	6,35
0,9	16,5	9	4,6	M 2,5	3,3	31,5	3	6,35
2	24,5 (27,5)	13	7,5 (9,6)	M 3	4,4	42	3	10 (14)
4	24,5 (27,5)	13	7,5 (9,6)	M 3	4,4	44	5	10 (14)
7	34	14	11	M 4	5	57	6	17
8	40 (44,5)	16,5	13 (15,5)	M 5	6	60	6	19 (24)
12	40 (44,5)	16,5	13 (15,5)	M 5	6	62	6	19 (24)

on request, couplings from size 2-12 are available with EASY-clamp

stock bores D1/D2 (G7)

MKM	Ø 3	Ø 4	Ø 5	Ø 6	Ø 6,35	Ø 8	Ø 9,53	Ø 10	Ø 12	Ø 14	Ø 15	Ø 16	Ø 19	Ø 20	Ø 24
0,4/0,9	•	•	•	•	•										
2/4		•	•	•	•	•	•	•	L	L					
7				•	•	•	•	•	•		•	•			
8/12				•	•	•	•	•	•		•	•	•	L	L

note: Larger bore diameter with special hub design „L“ possible - see bracket values in the dimension table, as well as order example.

order example: MKM 4 - D1 = Ø 8^{G7} D2 = 10^{G7}
MKM 4 - L - D1 = Ø 10^{G7} D2 = 12^{G7}
MKM 4 - L / L - D1 = Ø 12^{G7} D2 = 14^{G7}



Miniature Metal Bellows Coupling I Series MKP

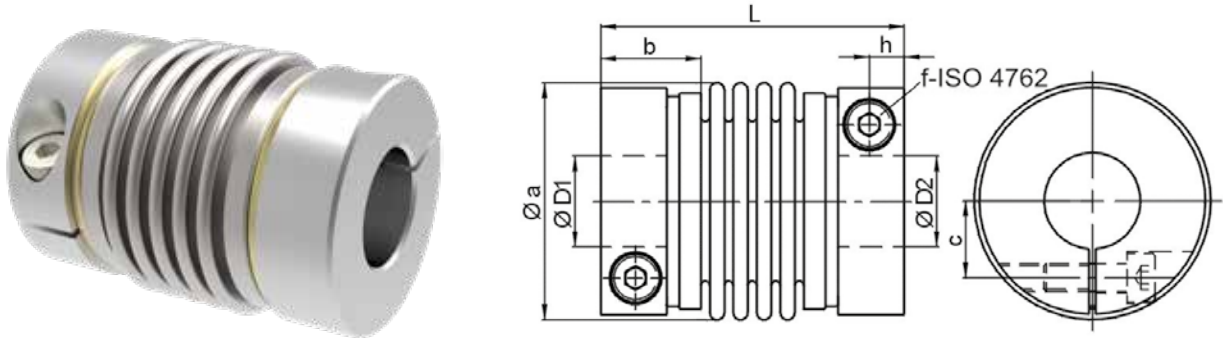
short design with lateral clamping hub

technical data:

MKP size	T_N [Nm]	max. speed [min ⁻¹]	moment of inertia [10^{-6} kgm ²]	torsional stiffness [10^{-3} Nm/arcmin]	max. shaft misalignment (mm)		spring rate [N/mm]		mass approx. [g]	tightening torque of screws [Nm]
					axial ±	lateral	axial	lateral		
2	2	12.000	2,5	400	0,3	0,1	32	100	30	2
5	5	12.000	2,8	800	0,3	0,1	70	400	40	2
7	7	12.000	12	1700	0,4	0,15	70	220	80	4
8	8	12.000	25	2100	0,5	0,15	20	90	125	8
12	12	12.000	28	2600	0,4	0,15	45	190	130	8

temperature range: -40°C up to +200°C

material: hubs: high-tensile strength aluminum
bellows: stainless steel screws: ISO 4762 / 12.9



Dimensions [mm]: length dimensions according to DIN ISO 2768 cH

MKP	Øa	b	c	f	h	L ±0,5	ØD1/2min	ØD1/2max
2	24,5 (27,5)	13	7,5 (9,6)	M 3	4,4	35	3	10 (14)
5	24,5 (27,5)	13	7,5 (9,6)	M 3	4,4	36	6	10 (14)
7	34	14	11	M 4	5	47	6	17
8	40 (44,5)	16,5	13 (15,5)	M 5	6	51	6	19 (24)
12	40 (44,5)	16,5	13 (15,5)	M 5	6	51	6	19 (24)

on request, all couplings are available with EASY-clamp

stock bores D1/D2 (G7)

MKP	Ø 4	Ø 5	Ø 6	Ø 6,35	Ø 8	Ø 9,53	Ø 10	Ø 12	Ø 14	Ø 15	Ø 16	Ø 19	Ø 20	Ø 24
2/5	•	•	•	•				L	L					
7			•	•	•	•	•	•		•	•			
8/12			•	•	•	•	•	•		•	•	•	L	L

note: Larger bore diameter with special hub design „L“ possible - see bracket values in the dimension table, as well as order example.

Bestellbeispiel: MKP 5 - D1 = Ø 8^{G7} D2 = 10^{G7}
MKP 5 - L - D1 = Ø 10^{G7} D2 = 12^{G7}
MKP 5 - L / L - D1 = Ø 12^{G7} D2 = 14^{G7}



Miniature Metal Bellows Coupling I Series MKA

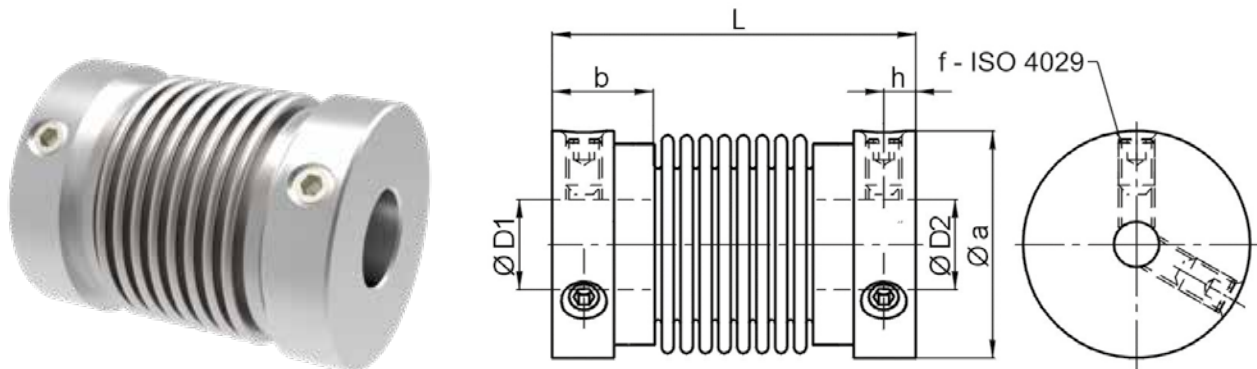
✓ cost-effective version with set screws

technical data:

MKA size	T_N [Nm]	max. speed [min ⁻¹]	moment of inertia [10 ⁻⁶ kgm ²]	torsional stiffness [10 ⁻³ Nm/arcmin]	max. shaft misalignment (mm)		spring rate [N/mm]		mass approx. [g]	tightening torque of screws [Nm]
					axial ±	lateral	axial	lateral		
0,4	0,4	20.000	0,19	50	0,2	0,1	10	15	8	1
0,9	0,9	20.000	0,19	90	0,2	0,1	21	26	10	1
2	2	12.000	2,9	230	0,2	0,1	15	15	32	4
4	4	12.000	3,2	460	0,2	0,1	35	65	37	4
6	6	12.000	16	1.100	0,25	0,25	45	60	85	8
8	8	12.000	28	1.300	0,3	0,25	16	24	120	10

temperature range: -20°C up to +90°C

material: hubs: high-tensile strength aluminum
bellows: stainless steel set screws: ISO 4029



Dimensions [mm]: length dimensions according to DIN ISO 2768 cH

MKA	Øa	b	f	h	L ±0,5	ØD1/2min	ØD1/2max
0,4	16	7	2x M 3	2,3	26	3	8
0,9	16	7	2x M 3	2,3	27,5	3	8
2	25	11	2x M 4	3,5	38	5	15
4	25	11	2x M 4	3,5	39,5	5	15
6	35	12,5	2x M 5	4,3	54	6	20
8	41	14	2x M 6	5	54,5	6	26

stock bores D1/D2 (G7)

MKA	Ø3	Ø4	Ø5	Ø6	Ø6,35	Ø8	Ø9,53	Ø10	Ø12	Ø15	Ø16	Ø19	Ø24
0,4/0,9	•	•	•	•	•	•							
2/4			•	•	•	•	•	•	•	•			
6				•		•		•	•	•	•		
8				•		•		•	•	•	•	•	•

note: further bore sizes possible on request
for easier disassembly, we recommend to have end faces on the shaft

order example: MKA 2 - D1 = 6 G7 D2 = 8 G7



Miniature Metal Bellows Coupling I Series MKG

- /// all-metal version up to 350°C // wear and maintenance free
- /// very short and variable design // torsionally stiff
- /// simple installation with optional EASY-clamping hub

technical data:

MKG	T _N [Nm]	moment of inertia [10 ⁻³ kgm ²]	torsional stiffness [Nm/arcmin]		max. shaft misalignment [mm]				axial spring rate [N/mm]		lateral spring rate [N/mm]		mass approx. [kg]
			2W	4W	axial±		lateral		2W	4W	2W	4W	
5	5	0,004	1,3	0,9	0,2	0,3	0,05	0,1	135	75	2500	400	0,06
10	10	0,019	3,3	2,1	0,3	0,4	0,1	0,15	150	85	2300	400	0,14
20	20	0,044	6	3,4	0,3	0,4	0,1	0,15	100	55	2100	360	0,22

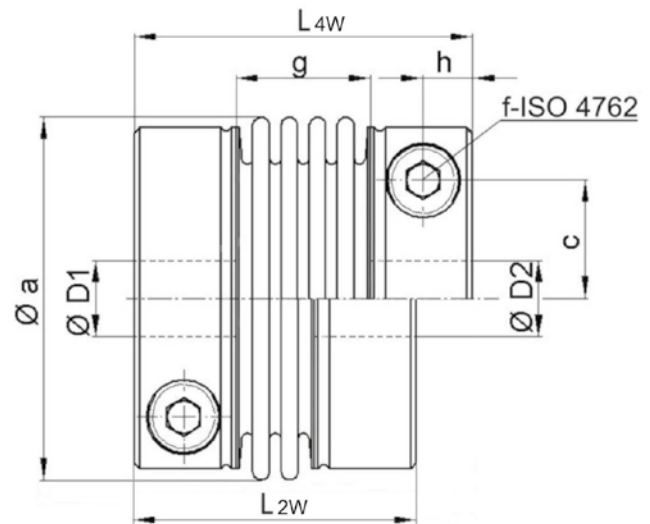
temperature range: -40°C up to +350°C

material:

bellows: stainless steel 1.4571

hubs: steel St 52

screws: ISO 4762 / 12.9



notes: connection between bellows and hub by plasma welding

two standard versions with 4-corrugation bellows 4W or 2-corrugation bellows 2W

Dimensions [mm]: length dimensions according to DIN ISO 2768 cH

MKG	Øa	c	f-TA	g		h	L		ØD1/2 min	ØD1/2 max
				2W	4W		2W	4W		
5	24	7,3	M3-2 Nm	6	10	4,5	25	29	6	11
10	34	10,5	M4-5 Nm	11	16	5	33	38	8	16
20	40	13	M5-10 Nm	12	17	6	38	43	10	20

- standard clamping hubs of sizes 5 / 10 / 20 without EASY-pin (EASY design optionally possible)
- alternative lengths and hub versions are possible on request

order example: MKG 5 / 4W D1 = 8^{G7} D2 = 11^{H7}
 MKG 20 / 2W D1 = 10^{G7} D2 = 20^{H7}



Miniature Metal Bellows Coupling I Series MKG-VA

- /// all-stainless steel version up to 350°C // wear and maintenance free
- /// very short and variable design // torsionally stiff
- /// simple installation with clamping hub

technical data:

MKG-VA size	T _N [Nm]	moment of inertia [10 ⁻³ kgm ²]	torsional stiffness [Nm/arcmin]		max. shaft misalignment [mm]				axial spring rate [N/mm]		lateral spring rate [N/mm]		mass approx. [kg]
			2W	4W	axial±	lateral	2W	4W	2W	4W			
4	4	0,004	1,3	0,9	0,2	0,3	0,05	0,1	135	75	2500	400	0,06
8	8	0,019	3,3	2,1	0,3	0,4	0,1	0,15	150	85	2300	400	0,14
15	15	0,044	6	3,4	0,3	0,4	0,1	0,15	100	55	2100	360	0,22

temperature range: -40°C up to +350°C

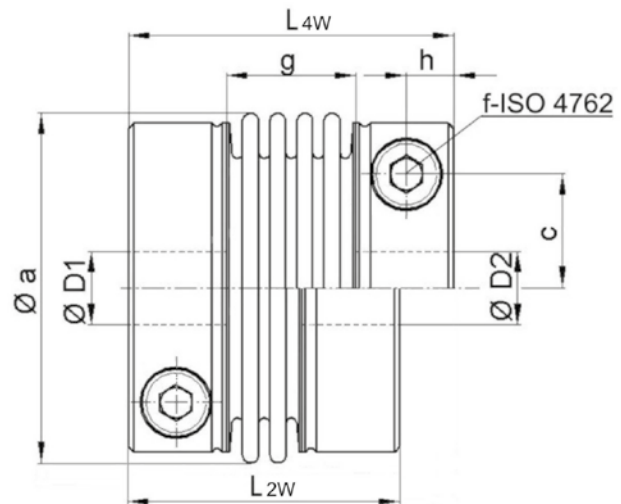
material:

bellows: stainless steel 1.4571 / A4

hubs: 1.4301 / A2

screws: ISO 4762 stainless steel / A4-80

optional: ISO 4762 / 12.9



notes: connection between bellows and hub by plasma welding
two standard versions with 4-corrugation bellows 4W or 2-corrugation bellows 2W

Dimensions [mm]: length dimensions according to DIN ISO 2768 cH

MKG-VA	Øa	c	f-TA	g		h	L		ØD1/2 min	ØD1/2 max
				2W	4W		2W	4W		
4	24	7,3	M3-1(2)	6	10	4,5	25	29	8(5)	11
8	34	10,5	M4-2,5(4)	11	16	5	33	38	9(7)	16
15	40	13	M5-5(8)	12	17	6	38	43	11(8)	20

- clamping hubs generally with stainless steel screws A4-80 without EASY-pin - mind reduced actuation torques
- check transmission torques of hub-shaft connection for diameters below Dmin (further inquiry possible)
- optional: coated screws of property class 12.9 for higher clamping forces or torques see values in brackets
- alternative lengths or hub versions available on request

order example: MKG-VA 4 / 4W D1 = 8^{G7} D2 = 11^{G7} - stainless steel screws
 MKG-VA 15 / 2W D1 = 13^{G7} D2 = 20^{G7} - screws - 12.9 - coated



Miniature Elastomer Coupling I Series MJT/MJT-C

// MJT-C: standard series with lateral clamping hub // MJT: cost-effective version with set screws
 // plug in // oscillation dampening

technical data:

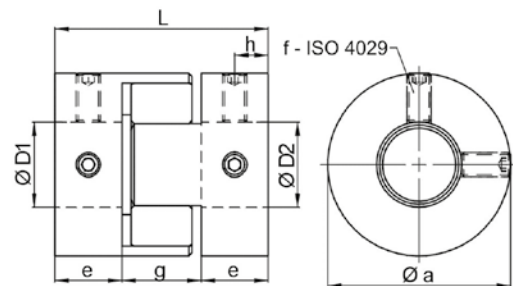
MJT/ MJT-C size	T _N [Nm]	max. speed [min ⁻¹]		moment of inertia [10 ⁻⁶ kgm ²]		torsional stiffness [10 ⁻³ Nm/arcmin]	max. shaft misalignment (mm)		mass approx. [g]	tightening torque of screws [Nm]	
		MJT	MJT-C	MJT	MJT-C		axial ±	lateral		f	i
14-B	0,7	27.000	11.000	0,21	0,16	3	0,6	0,15	7	0,7	0,5
20-B	1,8	20.000	7.500	1,0	1,1	5	0,8	0,20	18	0,7	1
30-B	4	13.000	5000	5,9	6,2	13	1,0	0,20	48	1,7	2,5
14-R	2	27.000	11.000	0,21	0,16	7	0,6	0,10	7	0,7	0,5
20-R	5	20.000	7.500	1,0	1,1	16	0,8	0,10	18	0,7	1
30-R	12,5	13.000	5.000	5,9	6,2	38	1,0	0,10	48	1,7	2,5

temperature range: -20°C up to +70°C

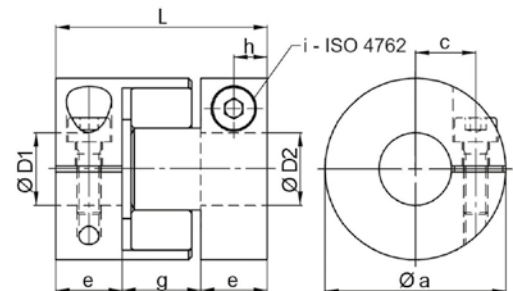


Series MJT

material:
 hubs: aluminum
 elastomer spider: polyurethane
 B 80-Sh-A (blue), R 98-Sh-A (red)



Series MJT-C



Dimensions [mm]: length dimensions according to DIN ISO 2768 cH

MJT/MJT-C	Øa	c	e	g	h	L	f	i
14	14	4	7	8	3,5	22	2x M 3	M 2
20	20	6,5	10	10	5	30	2x M 3	M 2,5
30	30	10	11	13	5,5	35	2x M 4	M 4

stock bores D1/D2 (H8)

• MJT ◊ MJT-C

MJT/MJT-C	Ø3	Ø4	Ø5	Ø6	Ø6,35	Ø8	Ø9,53	Ø10	Ø12	Ø14
14	• ◊	• ◊	• ◊	•						
20		◊	• ◊	• ◊	• ◊	• ◊	•	•		
30						• ◊	• ◊	• ◊	• ◊	•

note: further bore sizes possible on request
 for easier disassembly of the MJT series, we recommend to have end faces on the shaft

temperature correction for nominal torques

-20°C up to +30°C	+50°C	+70°C
100%	75%	60%

order example: MJT-B30 - D1 = 8 H8 D2 = 10 H8 MJT-C-R 20 - D1 = 5 H8 D2 = 6 H8



Miniature Oldham-type Coupling I Series MOH/MOH-C

- compensation of big lateral shaft misalignments / plug-in
- MOH-C: standard series with lateral clamping hub / MOH: cost-effective version with set screws

technical data:

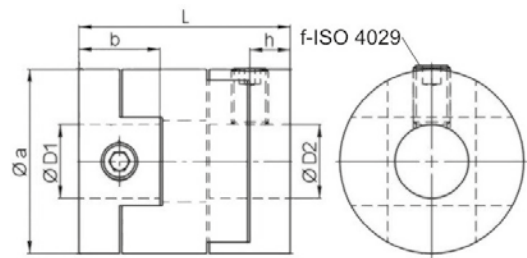
MOH/ MOH-C size	T _N [Nm]	max. speed [min ⁻¹]	moment of inertia [10 ⁻⁶ kgm ²]		torsional stiffness [10 ⁻³ Nm/arcmin]	max. misalignment		mass approx. [g]		tightening torque of screws [Nm]	
			MOH	MOH-C		lateral [mm]	angular [°]	MOH	MOH-C	f	i
16	1	8.000	0,24	0,32	19	1	2	7	10	1	1
20	1,5	7.000	0,81	0,82	35	1,5	2	14	16	1,7	1
25	2,5	6.000	1,8	2,6	58	2	2	20	34	1,7	1,5
32	7	4.800	6,7	8,3	180	2,5	2	48	80	4	2,5
43	15	4.000	39	20	340	3	2	160	160	4	5

temperature range: -20°C up to +100°C

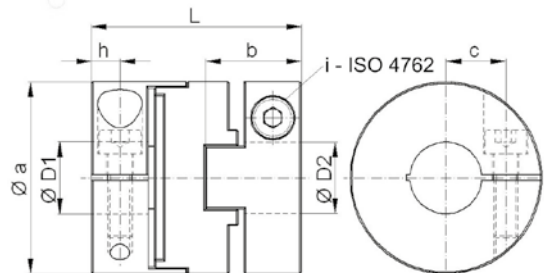


Series MOH

material:
hub: aluminum - alloy
spacer: polyacetal



Series MOH-C



temperature correction for nominal torques

-20°C up to +30°C	+40°C	+60°C	+100°C
100%	80%	60%	50%

Dimensions [mm]: length dimensions according to DIN ISO 2768 cH

MOH/ MOH-C	Øa	b		c	h		L		f	i
		MOH	MOH-C		MOH	MOH-C	MOH	MOH-C		
16	16	8	9,5	5	2,3	3	18	21	1 x M 3	M 2,6
20	20	9	10	6,5	3,3	3	20	22,5	1 x M 4	M 2,6
25	25	11,5	12	8	3	4	25,5	27	2 x M 4	M 3
32	32	14,5	16	11	4	5	32	35	2 x M 5	M 4
43	43	24	21,5	15	7	7	52	47	2 x M 5	M 5

stock bores D1/D2 (H8)

MOH/MOH-C	Ø3	Ø4	Ø5	Ø6	Ø6,35	Ø8	Ø9,53	Ø10	Ø12	Ø14	Ø15	Ø16	Ø19
16	•	•	•	•									
20		•	•	•	•	•							
25			•	•	•	•	•	•					
32				•	•	•	•	•	•	•	•		
43				•	•	•	•	•	•	•	•	•	•

note: further bore sizes possible on request

order example: MOH 25 - D1 = 8^{H8} D2 = 10^{H8}

MOH-C 32 - D1 = 10^{H8} D2 = 12^{H8}

Distance Couplings



Distance Couplings | General

Definition - Distance Couplings:

This category is comprised of several coupling series which can cover axial distances of up to 6 m of length. The common main feature of all types is an intermediate part, which is variable in length and can precisely fit the required specifications of the customer. In many cases, they can be used as connecting shaft (synchronizing shaft) and can substitute for conventional constructions of connecting shafts with complicated additional intermediate bearings.

Misalignments, especially parallel misalignments, can be compensated to a higher extent. Furthermore, the stainless material and the easy assembly of all series are valuable assets. A secure, frictional connection with easy operation is assured because of the design in split-hub version (series WDS, WDE) or with sliding hub (series EKHZ).



Characteristics – JAKOB Distance Couplings:

- ✓ as connecting shaft without additional intermediate bearing
- ✓ up to 6 m axial distance
- ✓ high operational speed
- ✓ high torsional stiffness
- ✓ backlash-free, precise torque transfer
- ✓ compensation of misalignments
- ✓ very easy to fit split-hub design
- ✓ optional stainless design
- ✓ maintenance free

The customer can choose from three standard series with aluminum intermediate pipe:

Series EKHZ - Elastomer spider

- ✓ length L = 0,2 - 3 m
- ✓ 7 sizes up to 1600 Nm
- ✓ T max = 100°C
- ✓ cost-effective type for medium speeds

Series WDS - Metal bellows

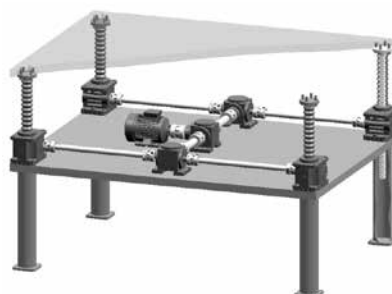
- ✓ length L = 0,2 - 6 m
- ✓ 7 sizes up to 1600 Nm
- ✓ T max = 200°C
- ✓ integrated gimbal / cardan support
- ✓ big pipe diameter for max. speeds
- ✓ high torsional stiffness

Series WDE - Metal bellows

- ✓ length L = 0,2 - 3 m
- ✓ 5 sizes up to 500 Nm
- ✓ T max = 100°C
- ✓ integrated gimbal / cardan support
- ✓ cost-effective type with reduced operating parameters

Series WD-VA - Metal bellows

- ✓ length L = 0,2 - 3 m
- ✓ 7 sizes up to 1200 Nm
- ✓ T max = 350°C
- ✓ stainless steel version



EKHZ - coupling for lifting table drive



WDS - coupling for multi-axis linear module

Distance Couplings I Installation

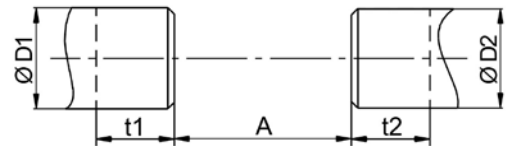
Installation:

The split-hub design allows for easy assembly. Further simplification during installation is provided because one half of the split hub is screwed onto the pipe. This allows resting the coupling on the two shaft ends. The second half of the split-hub can then be mounted to the coupling by screwing it on from below with the specified tightening torque. This feature makes a “one man assembly” possible even with extremely long couplings. During maintenance, EKZ/ WDS/WDE couplings can be exchanged without disassembling the drive or output units.

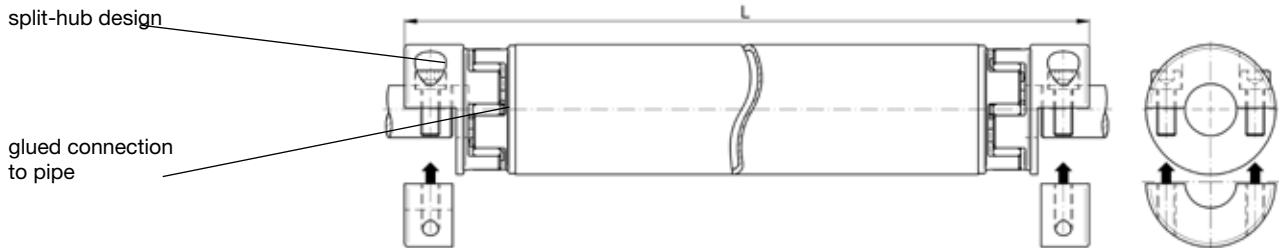
Formula for length determination:

$$L = A + t_1 + t_2 \quad [\text{mm}]$$

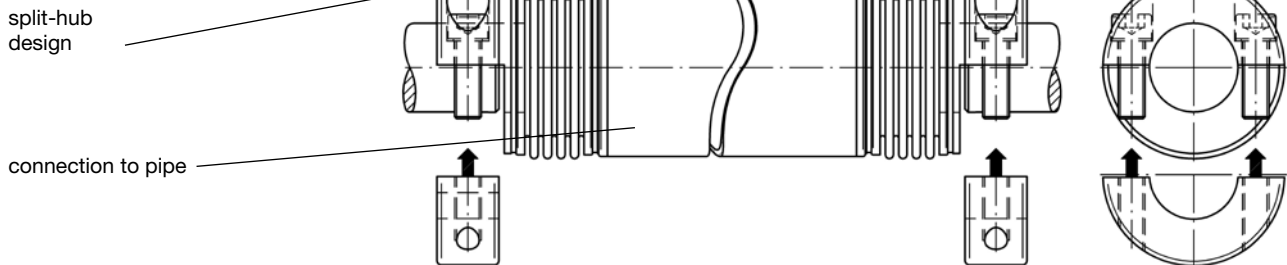
A = shaft separation ± 1
 t = plug in depth ± 1
 (see data sheets)



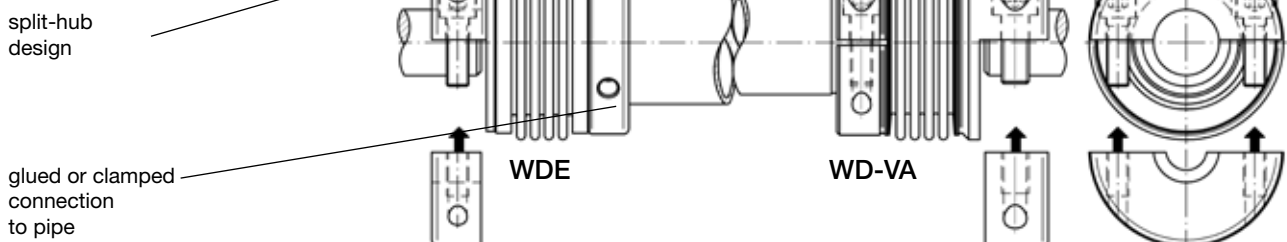
Series EKHZ



Series WDS



Series WDE / WD-VA



Note: The intermediate pipe can be delivered in different materials and section thicknesses, as well as in straightened and balanced quality for high speeds. At high speeds and concurrent long pipe length, a customized and optimized intermediate pipe made from CFC will be used (see picture to the left).



Metal Bellows Coupling with Intermediate Pipe I WDS

- /// variable length: 0,2 up to 6 m // simple installation // split-hub design
- /// backlash-free, precise torque transfer // no additional intermediate bearing
- /// high-speed and torsional stiffness // low moment of inertia

technical data:

WDS	T _N [Nm]	torsional stiffness [Nm/arcmin]				moment of inertia [10 ⁻³ kgm ²]				max. speed approx. [min ⁻¹]				mass approx. [kg]			
		1m	2m	3m	4m	1m	2m	3m	4m	1m	2m	3m	4m	1m	2m	3m	4m
15	15	0,4	0,2	0,15	-	0,2	0,4	0,6	-	3900	880	370	-	0,9	1,5	2,3	-
50	50	1,5	0,8	0,6	0,5	0,9	1,6	2,2	2,9	6000	1300	550	300	1,8	3	4,3	5,5
100	100	2,6	1,5	1,0	0,8	1,8	2,9	4,1	5,3	7300	1600	670	360	2,5	4	5,5	7
200	200	5,9	3,5	2,5	1,9	5,3	9,1	13	17	8000	2100	900	500	3,8	6	8	10
400	400	17	10	7,5	6	12	21	31	40	8000	2700	1100	600	7	11	15	19
800	800	26	16	11	9	32	48	64	80	8000	3400	1400	760	15	20	25	30
1600	1600	61	37	27	21	116	150	190	230	8000	4800	2000	1100	31	38	44	51

maximum temperature range: -40°C up to +200°C

maximum axial shaft misalignment: $\Delta A = \pm 1,5 \text{ mm}$

maximum angular shaft misalignment: $\alpha = 1^\circ$

maximum lateral shaft misalignment: $\Delta R = \tan \alpha \cdot L_x$ with $L_x = L - (2 \cdot L_1) / \tan 1^\circ = 0,0174$

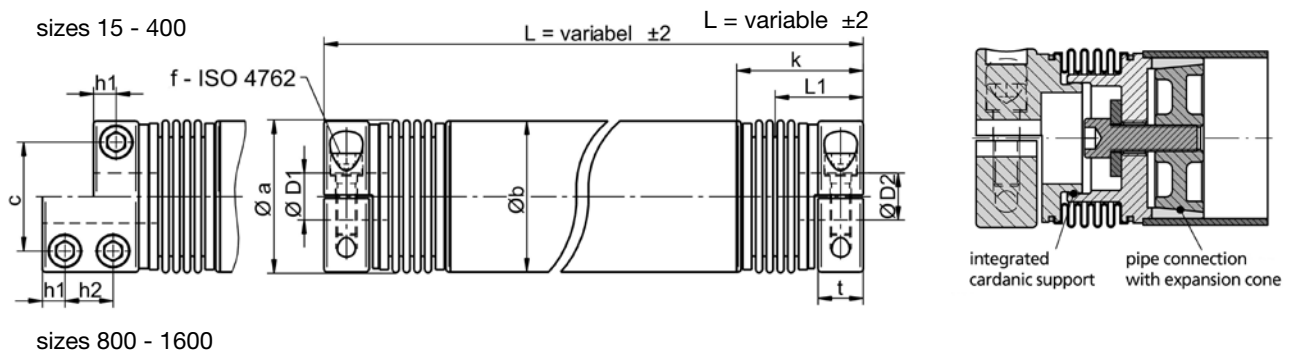
calculation example:

WDS 200 / L = 1200 mm -> $\Delta R = \tan \alpha \cdot L_x$

with $L_x = 1200 - (2 \cdot 53) = 1094 \text{ mm}$

$\Delta R = \tan 1^\circ \cdot 1094 \text{ mm} \approx 20 \text{ mm}$

note: lengths of over 4 m and in-house production of intermediate pipe are possible on request



material:

bellows: stainless steel

hubs: sizes 15 - 400: high-tensile aluminum / sizes 800-1600: steel - oxidized

intermediate pipe: aluminum - optional: steel, stainless steel, CFC

Dimensions [mm]: length dimensions according to DIN ISO 2768 cH

WDS size	Øa	Øb	c	f-tightening-torque*	h1	h2	L1	k	t	L _{min}	ØD1/2 min	ØD1/2 max(*)
15	36	35	21	2x M5 - 8Nm	9	-	37	54	18	108	6	15
50	58	50	36	2x M8 - 35Nm	13	-	48	67	26	132	9	25
100	75	60	47	2x M10 - 65Nm (50)	13	-	48	69	26	136	12,5	35 (31)
200	89	80	56	2x M12 - 115Nm (80)	14	-	53	77	28	152	19	42 (34)
400	109	100	72	2x M14 - 180Nm (140)	15	-	58	84	30	165	24	55 (48)
800	123	120	80	4x M12 - 115Nm	13	22	74	101	45	200	24	65
1600	158	160	108	4x M16 - 290Nm	18	30	95	125	64	250	35	85

Øa: interfering edge - bolt head

(*) note: reduced tightening torque (see brackets) for bigger hub bore diameter - see also Ø D 1/2max!

order example: WDS 400 - D1 = 28 F6 D2 = 38 F6 L = 1250



Metal Bellows Coupling with Intermediate Pipe I WDE

- /// cost-effective version with reduced operational parameters
- /// variable length up to 3 m // simple installation // split-hub design
- /// backlash-free, precise torque transfer // no additional intermediate bearing

technical data:

WDE	T _N [Nm]	T _{max} [Nm]	torsional stiffness [Nm/arcmin]			moment of inertia [10 ⁻³ kgm ²]			max. speed approx. [min ⁻¹]			mass approx. [kg]		
			1m	2m	3m	1m	2m	3m	1m	2m	3m	1m	2m	3m
40	40	80	0,46	0,23	0,15	0,4	0,6	0,8	2.900	700	300	1,1	1,8	2,5
80	80	160	1,1	0,5	0,4	1,2	1,6	2,0	3.000	900	400	1,7	2,6	3,5
160	160	320	2,0	1,0	0,6	2,0	2,7	3,4	3.000	1.100	500	2,3	3,4	4,6
250	250	500	4,9	2,4	1,6	4,8	6,7	8,7	3.000	1.500	650	3,6	5,4	7,1
500	500	1000	10,5	5,2	3,5	10,5	14,5	18,5	3.000	1.900	850	5,3	7,5	9,7

maximum temperature range: -40°C up to +90°C

maximum axial shaft misalignment: $\Delta A = \pm 1,5 \text{ mm}$

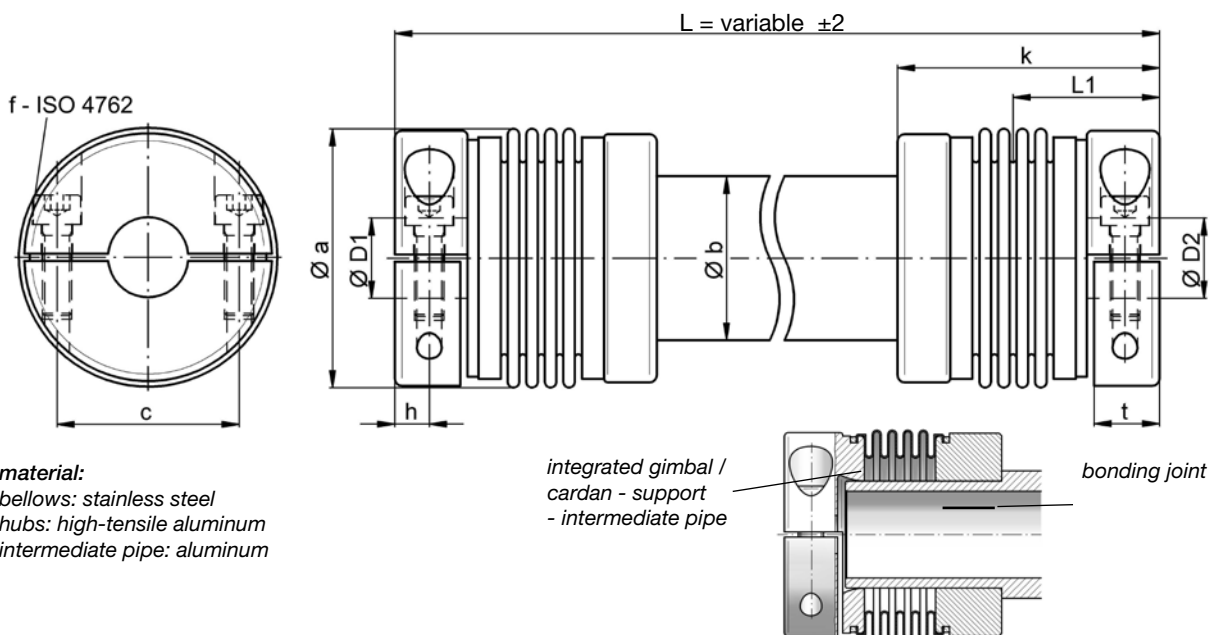
maximum angular shaft misalignment: $\alpha = 1^\circ$

maximum lateral shaft misalignment: $\Delta R = \tan \alpha \cdot L_x = L - (2 \cdot L_1) / \tan 1^\circ = 0,0174$

calculation example:

WDE 80 / L = 900 mm -> $\Delta R = \tan \alpha \cdot L_x$

with $L_x = 900 - (2 \cdot 40) = 820 \text{ mm}$; $\alpha = 1^\circ$ $\Delta R = \tan 1^\circ \cdot 820 \text{ mm} \approx 14 \text{ mm}$



material:
bellows: stainless steel
hubs: high-tensile aluminum
intermediate pipe: aluminum

integrated gimbal /
cardan - support
- intermediate pipe

bonding joint

Dimensions [mm]: length dimensions according to DIN ISO 2768 cH

WDE	Øa	Øb	c	f-tightening torque*	h	L1	k	t	L _{min}	ØD1/2 min	ØD1/2 max(*)
40	57	35	38	2x M6 - 14Nm	8	37	62	16	112	14	30
80	72	45	50	2x M8 - 35Nm (30)	9,5	40	72	18	124	22	38 (31)
160	83	55	57	2x M10 - 65Nm (50)	10,5	45	84,5	21	144	22	43 (37)
250	103	70	70	2x M12 - 115Nm (90)	12,5	49	92,5	24	155	25	55 (44)
500	123	90	87	2x M14 - 180Nm (140)	15	61	109	30	190	32	70 (54)

(*) note: reduced tightening torque (see brackets) for bigger hub bore diameter - see also Ø D 1/2max!

order example: WDE 250 - D1 = 28 F6 D2 = 38 F6 L = 980



Elastomer Coupling with Intermediate Pipe I EKHZ

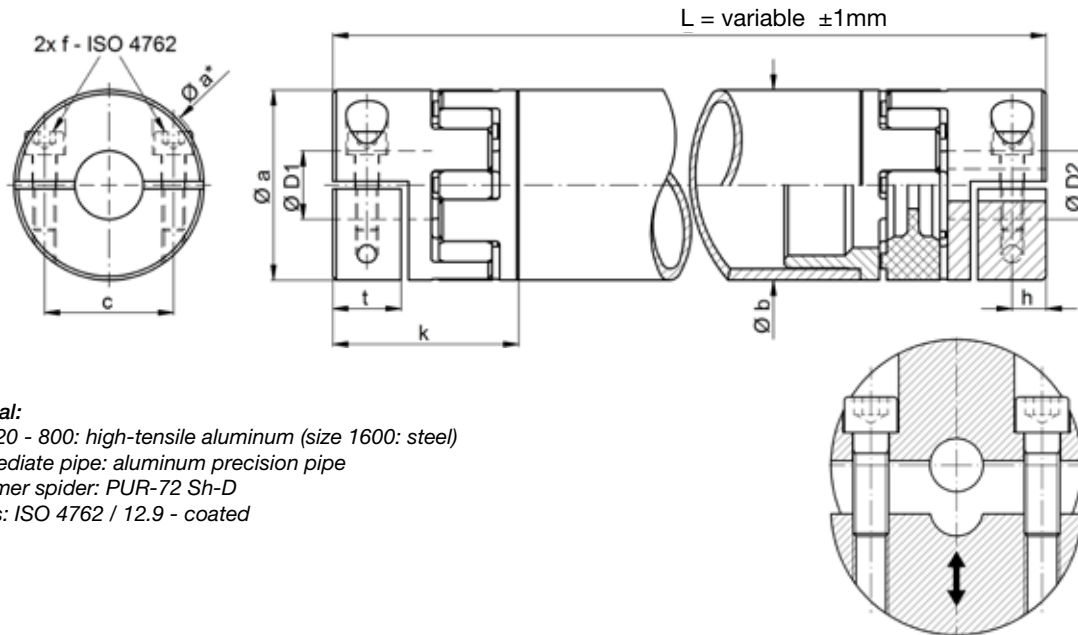
- /// variable length of up to 3 m
- /// plug-in
- /// backlash-free
- /// oscillation dampening
- /// rust-proof version
- /// split-hub design - simple installation

technical data:

EKHZ	T _N [Nm]	torsional stiffness (stat. at 0,5xT _N) [Nm/arcmin]				moment of inertia [10 ⁻³ kgm ²]				max. speed approx. [min ⁻¹]				mass approx. [kg]			
		0,5m	1m	2m	3m	0,5m	1m	2m	3m	0,5m	1m	2m	3m	0,5m	1m	2m	3m
20	20	0,19	0,16	0,13	0,1	0,14	0,23	0,42	0,61	3.500	2.700	680	300	0,5	0,9	1,6	2,3
45	45	0,49	0,44	0,35	0,3	0,48	0,82	1,53	2,2	3.500	3.500	990	440	0,9	1,5	2,8	4,0
90	90	0,9	0,8	0,64	0,54	0,8	1,4	2,6	3,8	3.500	3.500	1200	530	1,3	2,0	3,5	5,0
200	200	1,05	0,95	0,79	0,68	1,4	2,4	4,3	6,2	3.500	3.500	1.400	600	1,7	2,5	4,3	6,0
400	400	2,9	2,5	1,9	1,57	3,2	5,1	8,9	12,7	3.500	3.500	1.600	700	2,5	3,5	5,5	7,5
800	800	5,7	5,3	4,7	4,2	14,7	22,9	39,3	55,7	3.500	3.500	2.400	1070	5,8	8,2	13,1	18
1600	1600	10,2	9,7	8,8	8,1	87	107	147	187	3.500	3.500	2.000	1650	22	25	32	39

maximum axial shaft misalignment ± 1 mm maximum lateral shaft misalignment 5 mm per meter overall length

maximum temperature range: -30°C up to +90°C



material:
 hubs: 20 - 800: high-tensile aluminum (size 1600: steel)
 intermediate pipe: aluminum precision pipe
 elastomer spider: PUR-72 Sh-D
 screws: ISO 4762 / 12.9 - coated

dimensions [mm]: length dimensions according to DIN ISO 2768 cH

EKHZ size	Øa	Øa*	Øb	c	f-tightening- torque	h	k	L _{min}	t	ØD1/2 min	ØD1/2 max(*)
20	40	42	35	27	M5 - 8 Nm	8,5	43	130	16	10	20
45	50	52	50	34	M6 - 14 Nm	10	50	140	19	15	26
90	60	63	60	41	M8 - 35 Nm	11,5	53	155	22	16	30
200	70	76	70	48	M10 - 65 Nm	14	59	170	26	20	35
400	85	91	80	58	M12 - 115 Nm	15	71	215	28	24	42
800	120	126	120	90	M14 - 180 Nm	18	85	250	34	32	70
1600	160	165	160	122	M16 - 290 Nm	24	105	320	43	48	100

note: Øa* = interfering edge screw head

order example: EKHZ 90 - D1 = 28^{F6} D2 = 24^{F6} L = 1250



Metal Bellows Couplings with intermediate pipe I WD-VA

- /// stainless steel design up to 350°C
- /// backlash free, exact torque transfer
- /// variable length up to 3 m
- /// very easy to fit with splitted hub design

stainless steel

technische Daten:

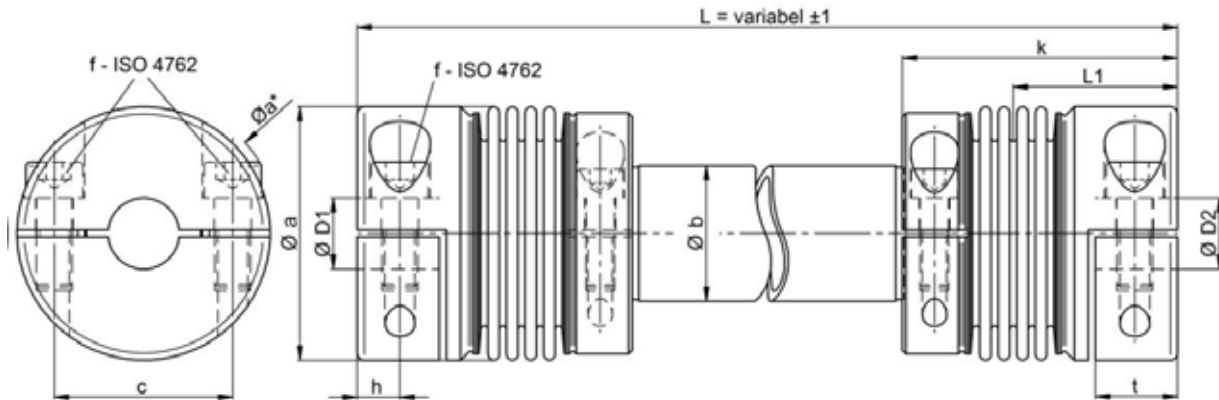
WD -VA size	T _N [Nm]	T _{max} [Nm]	torsional stiffness [Nm/arcmin]				moment of inertia [10 ⁻³ kgm ²]				mass [kg]				max. speed approx. [min ⁻¹]			
			0,5m	1m	2m	3m	0,5m	1m	2m	3m	0,5m	1m	2m	3m	0,5m	1m	2m	3m
10	10	14	0,22	0,11	0,06	0,04	0,07	0,09	0,13	0,17	0,8	1,2	2,2	3,1	6000	1550	350	150
50	50	70	1,6	0,88	0,46	0,31	0,63	0,81	1,18	1,55	1,9	2,9	5,0	7,0	6000	3400	740	310
120	120	160	3,7	2,0	1,0	0,7	2,1	2,5	3,2	3,9	3,3	4,6	7,3	9,9	6000	4700	1000	400
200	200	280	5,7	3,0	1,5	1,0	3,9	4,5	5,7	6,9	4,7	6,5	10	13	6000	5500	1100	470
350	350	480	9,7	4,8	2,4	1,6	8,4	9,3	11	13	8,4	9,3	12,3	16	6000	6000	1300	550
600	600	750	22	11	5,3	3,5	20	22	26	30	11,5	14	19	24	6000	6000	1700	700
1200	1200	1600	66	36	19	13	66	74	89	104	21	25	33	42	6000	6000	2650	1050

maximum axial shaft misalignment: $\Delta A = \pm 1,5 \text{ mm}$ / maximum angular shaft misalignment: $\alpha = 1^\circ$

maximum lateral shaft misalignment: $\Delta R = \tan \alpha \times L_x$ with $L_x = L - (2 \times L_1)$

Calculation example: WD-VA 100 / L=600mm

lateral shaft misalignment: with $L_x = 600 - (2 \times 43) = 514 \text{ mm}$; $\alpha = 1^\circ > \Delta R = \tan 1^\circ \times 514 \text{ mm} = 8,9 \text{ mm}$



material:

bellows: stainless steel 1.4571 / A4

hubs: stainless steel 1.4301 / A2

intermediate pipe: stainless steel A2 bzw. A4

screws: ISO 4762 stainless steel / A4-80.

optional: ISO 4762 / 12.9

notice: connection between bellows and hub with plasma welding-process

Dimensions [mm]: length dimensions according to DIN

WD-VA size	Øa	Øa*	Øb	c	f-tightening torque	h	L1	k ±1	t	ØD1/2 min	ØD1/2 max
10	34	36	16	21	M5 - 5 Nm	6,5	27	46	13	7	15
50	56	60	30	28	M8 - 24 Nm	9	35	63	17	12	28
120	71	76	38	38	M10 - 45 Nm	12	46	77	23	19	38
200	82	86	42	56	M12 - 80 Nm	13	50	86,5	25,5	22	42
350	101	103	48	68	M14 - 110Nm	15	56	97	30	30	50
600	122	124	60	80	M16 - 180 Nm	18	66	115	36	32	60
1200	157	161	89	110	M20 - 350 Nm	20	73	128	40	48	85

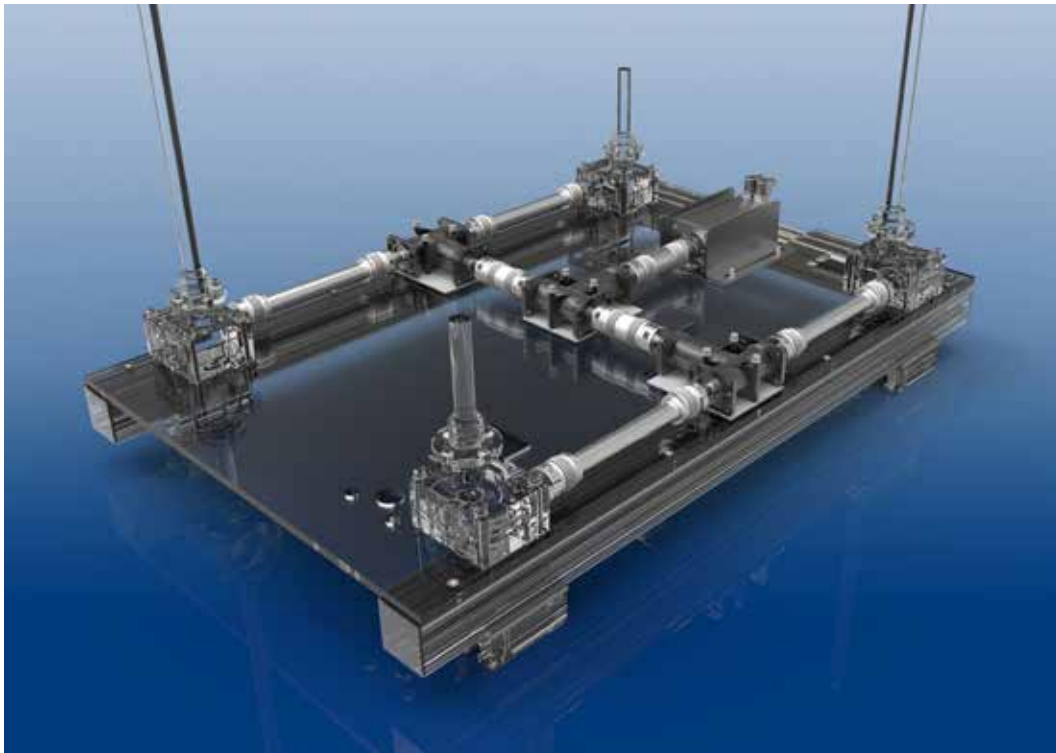
Øa: interfering edge – screw head

- clamping hubs with stainless steel screws A4/80 without EASY pin – regard reduced tightening torque!
- check torque transmission of shaft-hub-connection for shaft diameter smaller Dmin (request possible).
- optional coated screws of strength class 12.9 for higher clamping forces or torque - (see value in brackets).
- variable length up to 6m, and higher rotational speed on request

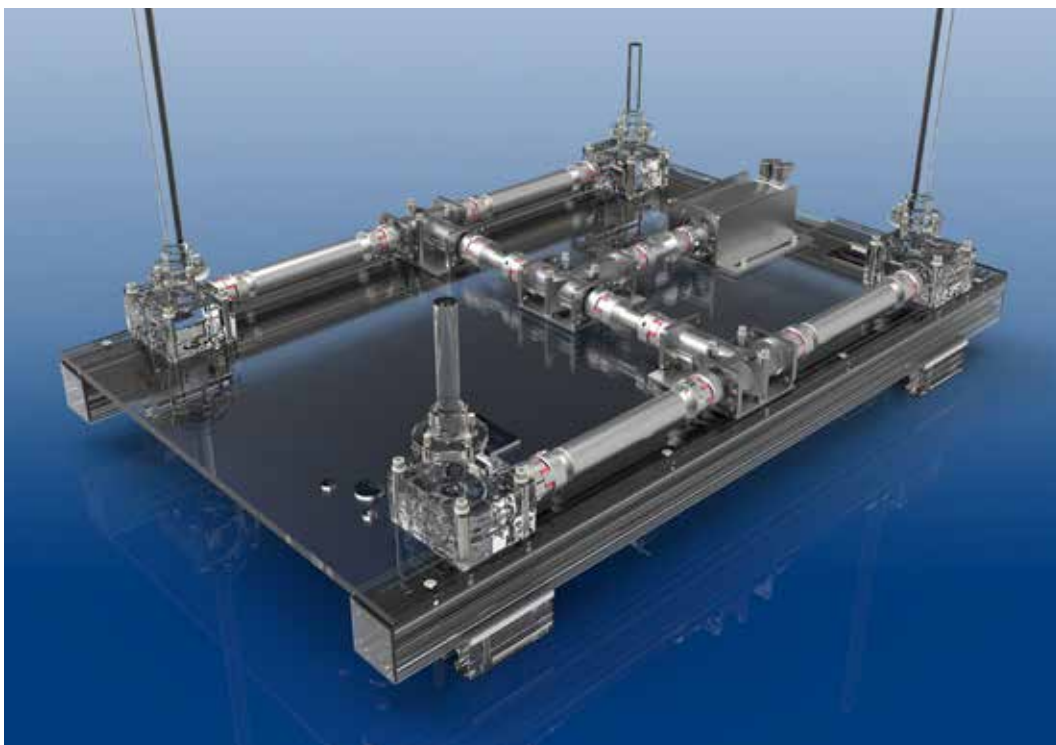
order example: WD - VA 200 D1 = 32 F6 D2 = 35 F6 L = 800

Distance Couplings with Intermediate Pipe

Application example - Lifting table

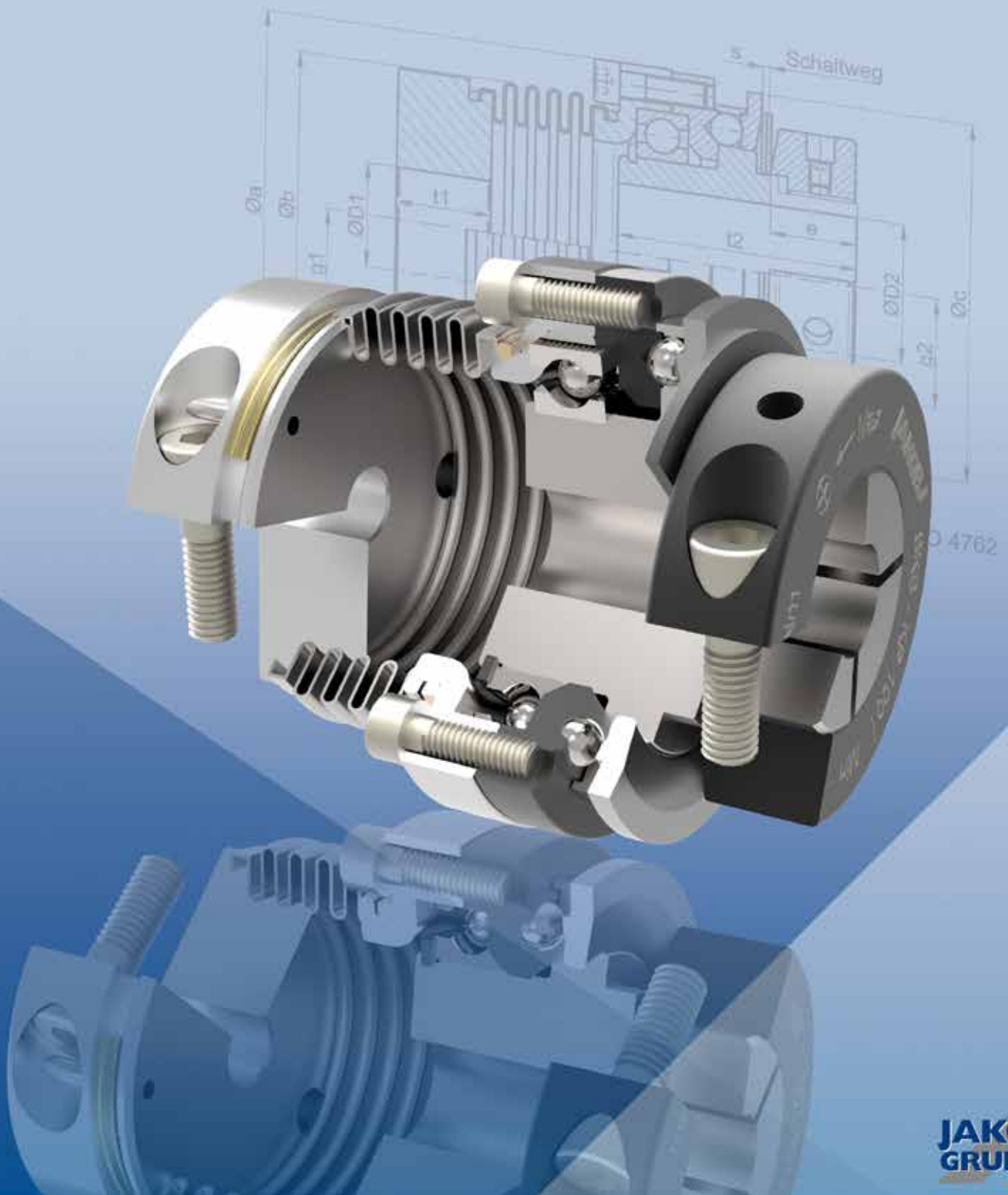


Linear system with metal bellows distance couplings of the **WDS** series



Linear system with elastomer distance couplings of the **EKZ** series

Safety couplings

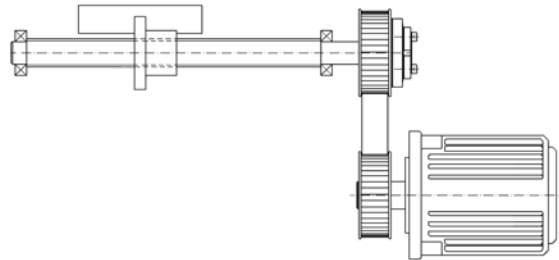


Safety Couplings I Modular System

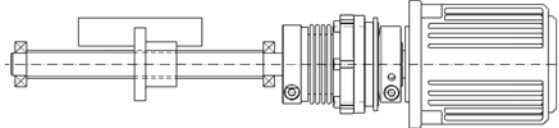
The safety coupling modular system consists of three standard series, as well as several special solutions for nearly every conceivable application. Various attachments can be fit to the safety mechanism, depending on the application.

For indirect drives, pulley, gear, or flange connection is available. For direct drives, the safety mechanism is connected to a metal bellows or elastomer coupling. The most important criteria for selection are the required disengagement torque, torsional stiffness, shaft diameters, assembly conditions, and shaft misalignment.

indirect drives



direct drives

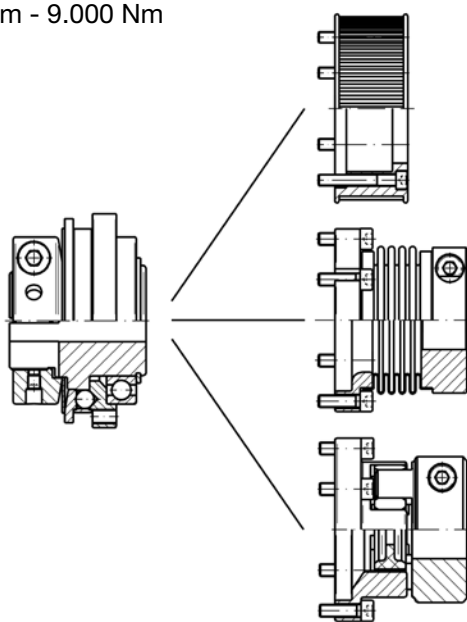


Overview:

safety mechanism

2 Nm - 9.000 Nm

attachments



- /// pulleys
- /// gears
- /// flanges

- /// metal bellows
 - torsionally stiff
 - all-steel-version
 - high operating temperatures
 - variable length

- /// elastomer spider
 - oscillation dampening
 - plug-in, electrically insulating
 - $T_{max} \leq 120^{\circ}C$

series

SK

SKB-K
SKY-K
SKW-K

SKB-E
SKY-E
SKW-E

Note:

- /// To reduce wear on the safety coupling mechanism the drive should be stopped as soon as possible after disengagement. The signal of the limit switch can be used for this purpose (emergency-OFF signal)
- /// In vertical drive axes, the slide or the table can drop upon disengagement of the safety coupling due to its own weight and the low residual torque of the safety coupling. To counter this effect, it is suggested that either a compensating weight or an additional brake be provided.
- /// During the coupling selection, the linear measuring system (positioning) must also be considered. When fitting an encoder to the drive motor, a torsionally stiff coupling should be used to get the best results.
- /// For high speed applications, please select types SKY or SKY-ES because of their rotational symmetry. Nominal speed up to $4,000 \text{ min}^{-1}$ as well as safety couplings with release mechanism are possible on request.
- /// The safety coupling is maintenance free under normal operating conditions.
- /// For mounting instructions and explanations about the shaft - hub - connection, please see pages 1-4.

Safety Couplings I Technical Information

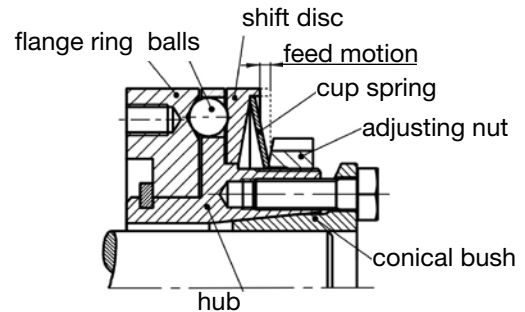
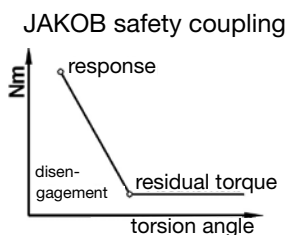
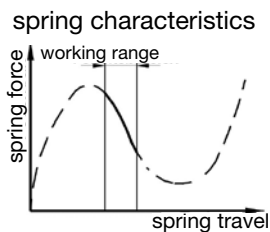
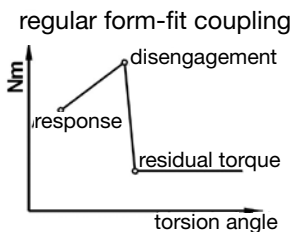
JAKOB safety couplings are designed as nominal break points or as overload protection in a direct or indirect drive train. The heart of the safety coupling is a highly precise, sturdy disengagement mechanism with steel balls as spring loaded positive locking elements. The drive torque is guided into the centrally arranged hub via a frictional, backlash-free lateral clamping hub or conical bush connection. The hub is designed as a ball cage and serves for fitting the flange ring and the shift disc. Special cup springs press the balls over the shift disc into hardened countersunk holes (calotte) of the flange ring. In normal operation, the drive torque is transferred without backlash into the flange ring. For further transfer of the torque and speed, a choice of compensation elements (metal bellows, elastomer spider), a gear or pulley or an appropriate connection flange is fit to the flange ring. If the set disengagement torque is exceeded in the case of crash or collision, the flange ring turns in relation to the cage hub and the balls are abruptly pushed out of the holes. The drive train is cut-off within a few milliseconds.

The backlash-free ball locking mechanism

The **preload** of the hardened and polished steel balls between the ball cage, the hub, and the detents of the flange ring ensures a **backlash-free torque** and angular motion transfer with high torsional stiffness. The mechanism is effective **in reverse direction** as well (for clockwise or counter-clockwise operation).

The degressive spring characteristic

The function of the safety coupling is influenced substantially by the cup springs, developed specifically for this application. Due to its operation in the **degressive range**, the spring force drops with increasing spring travel (shifting path), whereby **the torque drops immediately** on response. With conventional spring loaded torque limiters on the other hand, springs are stressed even further and the spring force as well the disengagement torque increase considerably before the actual disengagement takes place, leading to additional damage. This results in an undefined function between response and disengagement.



The axial stroke of the shift disc can be used with a proximity or mechanical limit switch for the immediate stop (emergency-OFF) of the drive.

Dynamic disengagement characteristics

JAKOB safety couplings are distinguished by their excellent dynamic disengagement characteristics. The reason for this is the **degressive spring characteristic**, as well as the **minimized mass** (ball and indexing plate) which must be accelerated axially during disengagement. The product of mass and acceleration ($F = m \times a$) results in a force which must be added to the spring force. In conventional couplings where large masses have to be moved, the static disengagement torque and the reaction time can increase manifold.

The re-engaging

The balls, the cage bores and holes are distributed asymmetrically on the circumference, so that only one **synchronized location** is possible every 360°. Until then, the balls slip over with a low **residual torque** he repeat accuracy of the configured disengagement torque is $\max \pm 5\%$. After elimination of the breakdown cause, the coupling re-engages at low speeds (below 30 r.p.m) into the **synchronized position** automatically and is ready for function. The relocation time for the reference point location is reduced considerably due to the synchronous reengagement.

The release mechanism

JAKOB offers various solutions for applications with high speeds and long stopping times. The ball-locking mechanism may have to be replaced by a mechanism which will not reengage until the drive is reversed at low speeds.

The labyrinth seal

In the SKB, SKY, SKX-L, and SKW series the locking mechanism is protected against penetration with dirt and washing out of lubricants by a special labyrinth seal.

Safety Couplings I Adjusting the Disengagement Torque

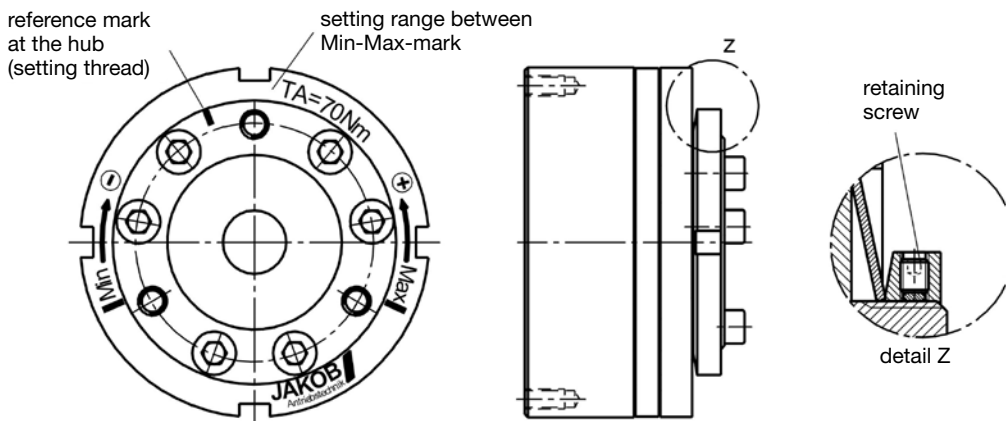
The disengagement torque generally is between 40% and 100% of the nominal torque of the coupling and is adjustable steplessly. If the customer does not specify a setting value, it is set **at the maximum torque** (nominal torque). The set, static disengagement torque can be adjusted (on the machine) at a later date by turning the adjusting nut with a pin wrench if needed. Adjusting nuts are provided with a user friendly scale: the disengagement torque, and the reference marks for T_{min} and T_{max} are engraved on the face side of the adjusting nut to facilitate setting. Disengagement torques greater than T_{max} are possible (on request), but this results in a stronger wear of the disengagement mechanic.

Caution:

Due to the degressive spring characteristics, turning back (counter-clockwise) the adjusting nut means an increase, or a turning in clockwise direction means a reduction of the disengagement torque (see direction arrow at clamping nut)!

Series SKG/SKY/SKW

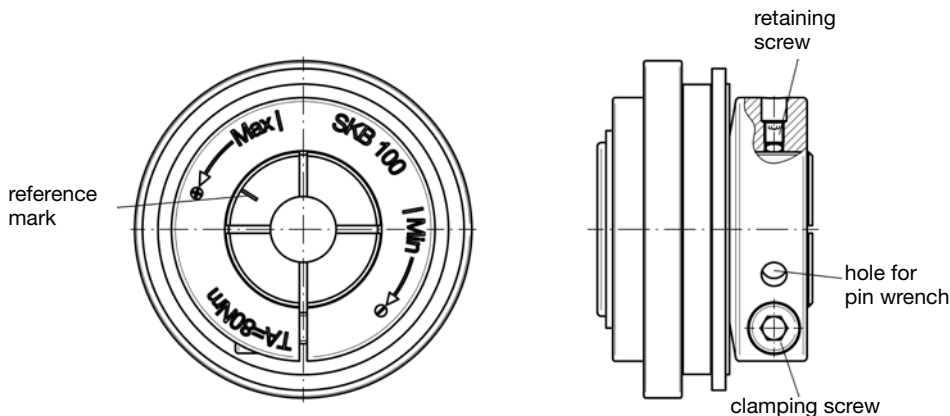
Setting of disengagement torque:



Unscrew retaining screw (see detail Z) completely; turn adjusting nut with pin wrench; after adjustment, secure the adjustment nut against turning by drilling and tightening the retaining screw.

Series SKB/SKX-L

Setting of disengagement torque:



Release retaining screw. Turn adjusting nut with pin wrench (note reference mark). Tighten retaining screw on hub after setting the required disengagement torque. Setting can be done by turning the hub with scale till the required torque value is in line with the reference mark. In mounted state, the clamping screw must be released, and after setting the disengagement torque, it has to be fastened again.

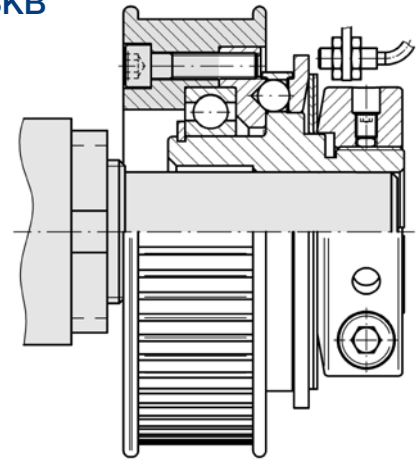
Safety Couplings I *for indirect drives*

- ✓ for the attachment of toothed belt pulleys, gear wheels, chain wheels, flanges, and so on
- ✓ with integrated ball bearing or sliding bearing - for optimal constructional adjustment
- ✓ frictional shaft-hub-connection with conical clamping bush or conical clamping ring

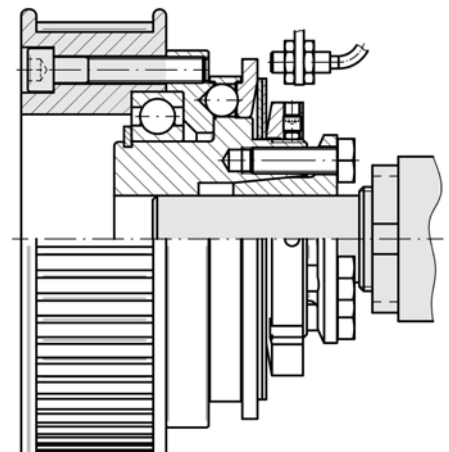
For overload protection or as collision protection for indirect drives, JAKOB's standard program presents series SKB, SKY, SKW and SKG with integrated ball bearing, as well as series SKX-L with integrated sliding bearing. The flange rings can be attached to gear wheels or other units with an axial run-out accuracy of a few hundredths of a millimeter. During normal operation, the bearings must take up the lateral and axial forces and transfer them to the drive or output shaft. Only during uncoupling, there is a relative rotational movement between flange ring and hub for a short time. The torque is transferred without backlash and frictionally from the shaft to the coupling hub by a conical clamping ring or a conical clamping bush.

The SKB coupling can be used for big pulleys and pinions because of the reference diameter of the fastening threads, the SKX-L series is made for longer attachment parts with small diameters. The series SKG with its integrated ball bearing provides a good alternative for very compact solutions. To achieve this, the coupling body can almost be completely fit into the pulley with the result, that the forces can be led almost centrally into the bearing. Furthermore, the clamping ring is located on the inside, at the side of the shaft, and therefore a subsequent mounting (modification) is possible, even when available space is limited. Other safety coupling series for indirect drives, such as series SKD with blocking mechanism can be delivered upon special request.

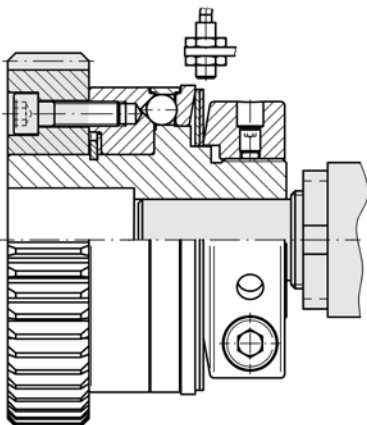
Series SKB



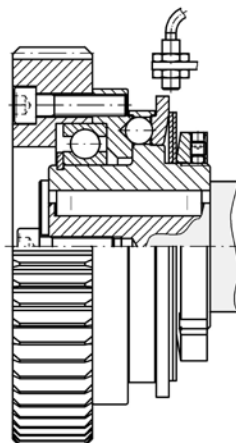
Series SKY



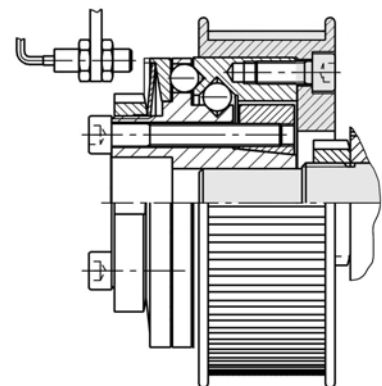
Series SKX-L



Series SKW



Series SKG





Safety Coupling I Series SKB for indirect drives

- /// simple installation with clamping ring hub // with integral ball bearing
- /// for high axial and lateral loads // excellent run-out accuracy
- /// alternative in corrosion-resistant design

technical data:

SKB size	setting range disengagement torque T_{KA} [Nm]		moment of inertia $[10^{-3} \text{kgm}^2]$	mass approx. [kg]	tightening torque of screw 'i' [Nm]		max. lateral load F_R [N]	bore diameters $\varnothing D$		
	min	max			min	max		min	max	
1	0,5	- 1	0,044	0,22	M5	- [10]	2.550	5	5	14
2	1	- 2								
6	2	- 6	0,09	0,36	M 5	- [10]	5.000	6	8	16
12	6	- 12								
15	8	- 15	0,36	0,80	M 6	- [18]	8.000	10	12	25,4
30	13	- 30								
45	22	- 45	1,10	1,50	M 8	- [40]	9.500	17	18	35
60	25	- 60								
100	40	- 100	4,2	3,3	M 10	- [80]	23.000	21	32	44
150	60	- 150								
230	80	- 230	12,2	6,2	M14	- [220]	30.000	27	40	58
330	130	- 330								
500	200	- 500	76	20	2x M16	- [290]	50.000	38	42	100
800	350	- 800								
1000	500	- 1000	48	100	100	100	100	100	100	100
2000	800	- 2000								

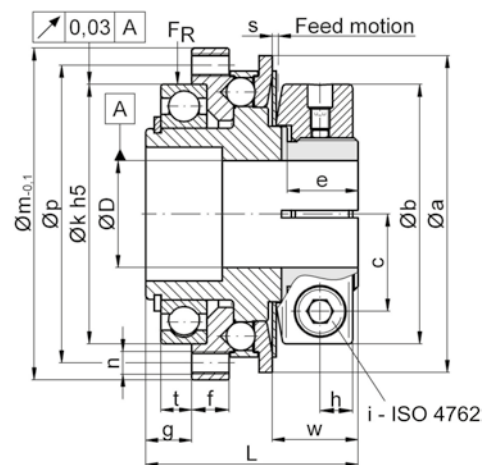
note: for higher torques, see series SKY

material:

heat-treated steel

temperature range:

-30°C up to +200°C



Dimensions [mm]: length dimensions according to DIN ISO 2768 cH

SKB	$\varnothing a$	$(\varnothing a^*)$	$\varnothing b$	c	e	f	g	h	$\varnothing k^{h5}$	$\varnothing m$	$\varnothing p$	L	n	s	t	w
1/2	42	-	38	13,5	13	6	6	6	30	40	35	33,5	6xM3	0,8	4	14,6
6/12	48	(42)	38,5	13,5	13	8	9,8	6	42	52	47	41	6xM3	0,9	7	15,8
15/30/45	66	(60)	53	19,5	15	9	11,5	7,5	55	69	62	48	6xM4	1,2	8	18,5
60/100/150	83	(76)	68	25,5	18,5	9	12	8,5	68	87	78	55,5	6xM6	1,6	8	22,4
230/330	109	(104)	87	32	21	14	16,5	10,5	90	113	102	71,5	6xM8	1,8	12	25,6
500/800	132	-	115	42	30	15	17	13,5	110	136	124	87,5	8xM8	2,5	12	37
1000/2000	185	-	172	69	76	16	28	17/30	140	181	165	142±2	12xM10	3,7	22,5	77

*note: smaller outer diameters of the thrust plate are possible (see values in brackets)

order example:

SKB 30 -
SKB 230 - corrosion resistant -

$D = 24^{H7}$ - $T_{KA} = 25 \text{ Nm}$
 $D = 35^{G6}$ - $T_{KA} = 200 \text{ Nm}$



Safety Coupling I Series SKY for indirect drives

- /// with conical clamping hub // with integral ball bearing
- /// for high axial and lateral loads // excellent run-out accuracy
- /// alternative in corrosion-resistant design

technical data:

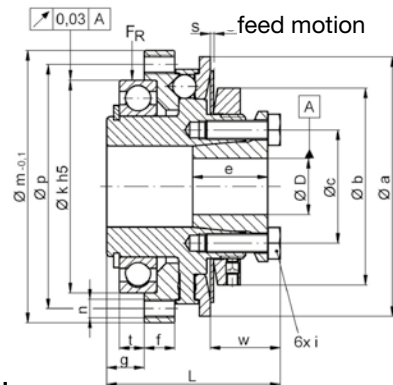
SKY size	setting range		moment of inertia [10 ⁻³ kgm ²]	mass approx. [kg]	tightening torque of screws 6x i [Nm]		max. lateral load F _R [N]	bore diameters ØD		
	disengagement torque T _{KA} [Nm]							prebored	min	max
1	0,5	- 1	0,028	0,17	M 3 - ISO 4762	[1,5]	2550	-	5	12
2	1	- 2								
6	2	- 6	0,08	0,30	M 3 - ISO 4762	- [1,5]	5.000	-	5	12
12	6	- 12								
15	8	- 15	0,31	0,65	M 4 - ISO 4762	- [3]	8.000	8	9	17
30	13	- 30							9	17
45	22	- 45							10	17
60	25	- 60	0,95	1,3	M 6 - ISO 4017	- [12]	9.500	11	12	24
100	40	- 100							12	24
150	60	- 150							14	24
230	80	- 230	3,8	2,9	M 6 - ISO 4017	- [12]	23.000	17	18	35
330	130	- 330							22	35
500	200	- 500	10	5,1	M 8 - ISO 4017	- [30]	30.000	25	28	42
800	350	- 800							30	42
1000	500	- 1000	53	14	M12 - ISO 4017	- [90]	50.000	38	40	65
2000	800	- 2000							42	65
3000	1500	- 3000	160	26	10xM12 - ISO 4017	- [115]	65.000	49	50	80(120)
6000	3000	- 6000							50	80(120)
9000	6000	- 9000							70	80(120)

material:

heat-treated steel

temperature range:

-30°C up to +200°C



Dimensions [mm]: length dimensions according to DIN ISO 2768 cH

SKY	Øa	(Øa*)	Øb	Øc	e	f	g	Øk ^{h5}	Øm	Øp	L	n	s	t	w
1/2	43	-	33	19	15	6	6,5	30	40	35	33	6xM3	0,8	4	13,7
6/12	48	(42)	33	19	15	8	9,8	42	52	47	39	6xM3	0,9	7	13,8
15/30/45	66	(60)	45	27	18	9	11,5	55	69	62	47,5	6xM4	1,2	8	18,1
60/100/150	83	(76)	63	36,2	24	9	12	68	87	78	55,5	6xM6	1,6	8	22,4
230/330	109	(104)	84	50	27	14	16,5	90	113	102	70	6xM8	1,8	12	24
500/800	132	-	105	62	32	15	17	110	136	124	84	8xM8	2,5	12	33,4
1000/2000	185	-	168	90	45	16	28	140	181	165	130	12xM10	3,7	22,5	64,5
3000-9000	236	-	197	110	53	18/14	22	180	243	200/225	137	12xM10	3,0	14	62

*note: smaller outer diameters of the shift disc are possible (see values in brackets)

** sizes 3000-9000 with shrink disc for bigger bore diameters up to Ø120

order example: SKY 60 - D = 22^{G6} - T_{KA} = 40 Nm
 SKY 150 - corrosion resistant - D = 22^{G6} - T_{KA} = 120 Nm



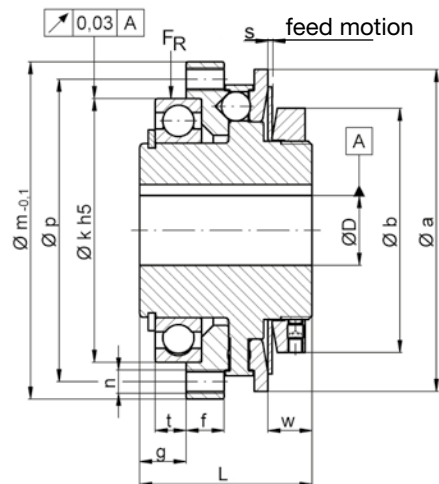
Safety Coupling I Series SKW for indirect drives

- ✓ cost-effective type ✓ easy keyway connection
- ✓ with integrated ball bearing for high axial and lateral load

technical data:

SKW Size	setting range disengagement torque T_{KA} [Nm]		moment of inertia [10^{-3}kgm^2]	mass approx. [kg]	max. lateral load F_R [N]	n	bore diameters $\varnothing D$	
	min	max					min	max
6	2	- 6	0,08	0,28	5.000	6 x M 3	6	12
12	6	- 12					6	12
15	8	- 15	0,3	0,63	8.000	6 x M 4	8	22
30	13	- 30					10	22
45	22	- 45					10	22
60	25	- 60	0,91	1,25	9.500	6 x M 6	11	32
100	40	- 100					13	32
150	60	- 150					16	32
230	80	- 230					18	38
330	130	- 330	3,70	2,80	23.000	6 x M 8	21	38
500	200	- 500					26	55
800	350	- 800	9,25	4,80	30.000	8 x M 8	38	55
1000	500	- 1000	52	15,5	50.000	12 x M 10	39	90
2000	800	- 2000					52	90
3000	1500	- 3000	160	25	65.000	12 x M 10	50	110
6000	3000	- 6000					50	110
9000	6000	- 9000					50	110

material:
heat-treated steel
temperature range:
-30°C up to +200°C



Dimensions [mm]: length dimensions according to DIN ISO 2768 cH

SKW	Øa	(Øa*)	Øb	f	g	Øk ^{h5}	Øm	Øp	L*	s	t	w
6/12	48	(42)	33	8	9,8	42	52	47	31	0,9	7	5,8
15/30/45	66	(60)	45	9	11,5	55	69	62	38	1,2	8	8,6
60/100/150	83	(76)	63	9	12	68	87	78	44,5	1,6	8	11,4
230/330	109	(104)	84	14	16,5	90	113	102	59,5	1,8	12	13,7
500/800	132	-	105	15	17	110	136	124	68,5	2,5	12	18,1
1000/2000	185	-	168	19	28	140	181	165	106	3,7	22,5	40,4
3000-9000	236	-	197	18/14	22	180	243	200/225	128	3,0	14	53

*note: smaller outer diameters of the shift disc are possible (see values in brackets)
with zero clearance conical-hub-connection (Dmax = Ø120) see series SKY

order example: SKW 500 - D = 44^{G6} - PFN 12 P9 x 3,3 - $T_{KA} = 450 \text{ Nm}$



Safety Coupling I Series SKX-L *for indirect drives*

- ✓ with longer bearing journal for integrated slide bearing
- ✓ simple installation with clamping ring hub
- ✓ with small centric diameter of small size pulleys or gear wheels

technical data:

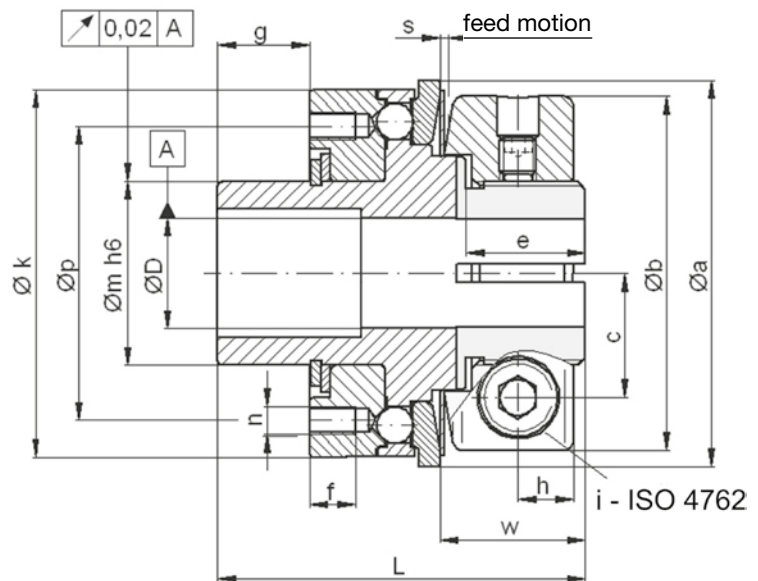
SKX-L size	setting range disengagement torque T_{KA} [Nm]		moment of inertia [10^{-3} kgm ²]	mass approx. [kg]	tightening torque of screws i [Nm]		prebored	bore diameters $\varnothing D$		
	-	-			-	-		min	max	
6	2	- 6	0,05	0,25	M 5	-	[10]	6	6	16
12	6	- 12							8	16
15	8	- 15	0,25	0,65	M 6	-	[18]	10	10	25,4
30	13	- 30							12	25,4
45	22	- 45							14	25,4
60	25	- 60	0,95	1,5	M 8	-	[40]	17	18	35
100	40	- 100							18	35
150	60	- 150							24	35
230	80	- 230	3,34	3	M 10	-	[80]	21	24	42
330	130	- 330							32	42
500	200	- 500	10,70	6	M 14	-	[220]	27	28	58
800	350	- 800							40	58

material:

heat-treated steel

bearing seat: nitro carburized

temperature range: -30°C up to +200°C



Dimensions [mm]: length dimensions according to DIN ISO 2768 cH

SKX-L	$\varnothing a$	($\varnothing a^*$)	$\varnothing b$	c	e	f	g	h	$\varnothing k$	$\varnothing m^{h6}$	$\varnothing p$	L	6xn	s	w
6/12	42	(48)	38,5	13,5	13	5	10	6	40	20	32	46	M 3	0,9	15,8
15/30/45	60	(66)	53	19,5	15	7	15	7,5	58	30	46	52	M 4	1,2	18,6
60/100/150	76	(83)	68	25,5	18,5	9	20	8,5	75	42	62	69	M 6	1,6	22,4
230/330	104	(109)	87	32	21	12	25	10,5	98	50	74	84	M 8	1,8	26,7
500/800	132	-	115	42	30	14	30	13,5	120	65	92	104	M 10	2,5	37

note: *bigger outer diameters of the shift disc are possible (see values in brackets)

**alternative bearing length 'g' is possible on request; please check if a plain bearing bush is required

order example: SKX-L 150 - $D = 28^{H7}$ - $T_{KA} = 120$ Nm



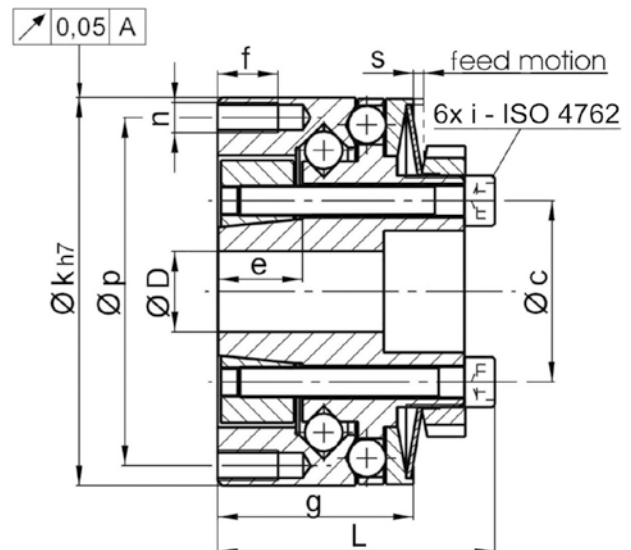
Safety Coupling I Series SKG *for indirect drives*

- /// with integral ball bearing // with conical clamping hub
- /// compact attachment - optimal system integration

technical data:

SKG size	setting range disengagement torque T_{KA} [Nm]		moment of inertia [10^{-3}kgm^2]	mass approx. [kg]	tightening torque of screws i [Nm]	bore diameters $\varnothing D$	
	min	max				min	max
4	2	4	0,2	0,5	M 4 - [4]	12	18
9	4	9	0,2	0,5			
18	9	18	0,2	0,5			
23	9	23	0,7	1,1	M 5 - [8]	18	25,5
35	18	35	0,7	1,1			
75	25	75	0,7	1,1			
100	50	100	1,8	1,9	M 6 - [12]	22	39
170	65	170	3	2,4			
270	100	270	10,4	5			
550	200	550	10,7	5,3	M 8 - [35]	29	44

material:
heat-treated steel
temperature range:
-30°C up to +200°C



Dimensions [mm]: length dimensions according to DIN ISO 2768 cH

SKG	$\varnothing c$	e	f	g	$\varnothing k_{h7}$	L	n	$\varnothing p$	s
4	27	11	8	27,3	60	40	4x M 4	53	1
9	27	11	8	27,3	60	40	4x M 4	53	1
18	27	11	8	27,9	60	40	4x M 4	53	1
23	37	17	12	39	77	54	4x M 6	69	1,4
35	37	17	12	39	77	54	4x M 6	69	1,4
75	37	17	12	39	77	54	4x M 6	69	1,4
100	54	17	10	36,5	92	55	4x M 6	83	1,4
170	54	17	12	51	105	66	4x M 6	94	1,7
270	66	26	15	63,5	135	85	6x M 8	120	2,2
550	66	26	15	63,5	135	85	6x M 8	120	2,2

order example: SKG 170 - 28^{H7} - $T_A = 140 \text{ Nm}$

Safety Couplings I *for direct drives*

- ✓ optimum overload and crash protection for direct drives
- ✓ with coupling attachment ✓ modular system with numerous variants
- ✓ simple installation ✓ frictional shaft-hub connection
- ✓ compact design ✓ low moment of inertia

Series SKB-KP / SKY-KS with bellows attachment



Series SKB-EK / SKY-ES with elastomer attachment



The safety couplings series SKB-K and SKB-E from JAKOB are combinations of the well-tried disengagement function with coupling elements for balancing misalignments between drive and output shaft. From a large program of diverse types, metal bellows or elastomer attachments can be selected. While the main features of metal bellows are very high torsional stiffness and low restoring forces, elastomer couplings feature robustness, excellent oscillation dampening and the possibility of plug-in fitting. Due to the screw connection between coupling element and safety part, a replacement of the coupling attachment is possible at all times, in case of damage or a change of operational parameters.

The following safety couplings series for direct drives are available:

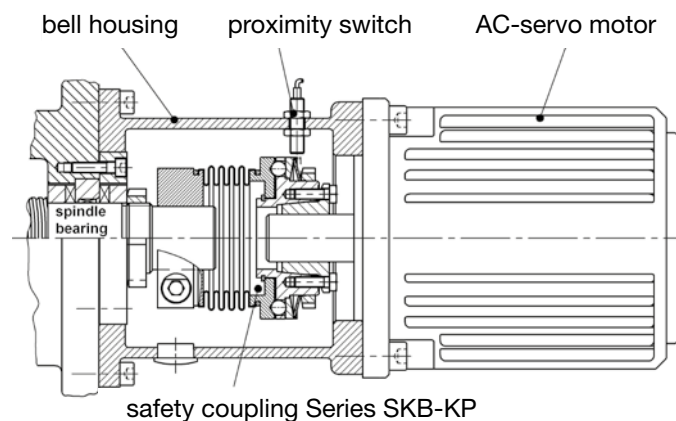
Series SKB-KP -> with 4-corrugation metal bellows / on bellows side with easy-to-fit lateral clamping hub

Series SKY-KS -> with 4-corrugation bellows / on bellows side with conical bushing for small shaft diameters

Series SKB-EK -> with elastomer spider - 98 Shore A / on coupling side with plug-in, lateral clamping hub

Series SKY-ES -> with elastomer spider - 98 Shore A / on coupling side with plug-in, conical hub

note: safety couplings series SKB with clamping hub - series SKY with conical bush





Safety Coupling I Series SKB-KP *for direct drives*

- /// with bellows attachment // with lateral clamping hub on both sides
- /// EASY-clamping hub on bellows side // compensation of misalignments // low restoring forces

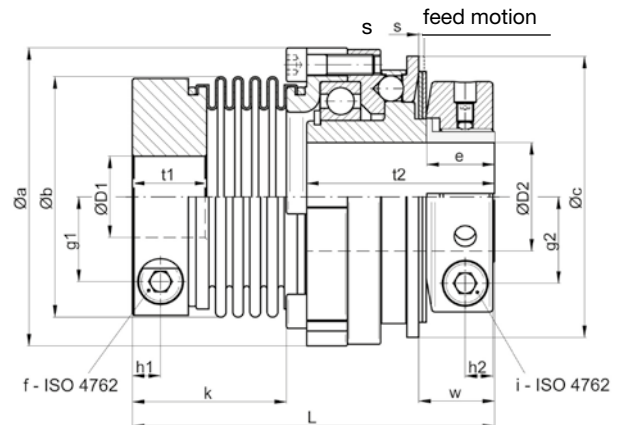
technical data:

SKB-KP size	setting range disengagement torque T_{KA} [Nm]	moment of inertia $[10^{-3} \text{kgm}^2]$	mass approx. [kg]	torsional stiffness [Nm/arcmin]	max. shaft misalignment [mm]		tightening torque of screws		$\varnothing D1$		$\varnothing D2$	
					axial \pm	lateral	f [Nm]	i [Nm]	min	max	min	max
1	0,5 - 1											
2	1 - 2	0,05	0,26	0,4	0,5	0,1	M3-2	M5-10	5	10(14)	5	14
6	2 - 6											
12	6 - 12	0,13	0,45	2,1	0,5	0,15	M5-8	M5-10	6	19(24)	6	16
15	8 - 15								8	32	10	25,4
30	13 - 30	0,5	1,0	9	0,5	0,2	M6-14	M6-18	10	32	12	25,4
45	22 - 45								12	32	14	25,4
60	25 - 60								13	30(38)	18	35
100	40 - 100	1,5	1,9	20	0,6	0,2	*M8-35 (30)	M8-40	14	30(38)	18	35
150	60 - 150								21	30(38)	24	35
230	80 - 230	5,5	3,8	28	0,8	0,2	*M10-65 (50)	M10-80	24	32(43)	24	44
330	130 - 330								32	32(43)	32	44
500	200 - 500	14,0	6,8	52	0,8	0,2	*M12-115 (90)	M14-220	35	42(55)	28	58
800	350 - 800	17,2	8,3	106	0,7	0,2	*M14-180 (140)	M14-220	42	55(68)	40	58
1000	500 - 1000	80	20	150	0,8	0,2	*M14-180 (140)	2xM16-290	45	65(75)	42	100
2000	800 - 2000	95	21	210	1	0,3	*M16-300	2xM16-290	58	90	45	100

(*) note: reduced tightening torque for bigger hub bore diameter - see also $\varnothing D1/D2$ max!
 temperature range: -30°C up to $+200^{\circ}\text{C}$

material:

- safety part: heat-treated steel
- clamping hub: high-tensile aluminum
- bellows: stainless steel
- screws: ISO 4762 / 12.9



Dimensions [mm]: length dimensions according to DIN ISO 2768 cH

SKB-KP	$\varnothing a$	$\varnothing b$	$\varnothing c$	e	g1	g2	h1	h2	k	$L_{\pm 1}$	s	t1	t2	w
1/2	40,5	24(28)	42	14	7,5	13,5	4,4	6	25	62,5	0,8	8	33	14,6
6/12	52,5	40 (45)	48	14	13	13,5	6	6	36,6	81	0,9	16,5	41	16
15/30/45	69	56	66	16	19	19,5	8	7,5	43	94,5	1,2	20	48	18,5
60/100/150	88	71	83	20	25	25,5	9	8,5	45,5	107	1,6	22	55,5	22
230/330	115	82	109	23	28,5	32	11,5	10,5	52	132	1,8	26	72	26
500	137	101	132	32	35	42	13	13,5	60	156	2,5	29	87,5	37
800	137	122	132	32	42	42	16	13,5	74,5	170	2,5	34	87,5	37
1000	181	133	185	74	47	69	18,5	17/30	87,5	220 \pm 2	3,7	45	124	74
2000	181	157	185	74	54	69	17,5	17/30	99	232	3,7	35	124	74

*note: alternative lengths of bellows are possible on request; bellows side with conical hub: see series SKB-KS
 setting range up to 9000Nm see series SKY-KS

order example: SKB-KP 30 - $D1 = 28^{G6}$ - $D1 = 24^{H7}$ - $T_{KA} = 25 \text{ Nm}$



Safety Coupling I Series SKY-KS for direct drives

- /// with bellows attachment
- /// with conical clamping hub on both sides
- /// low restoring forces
- /// compensation of misalignments

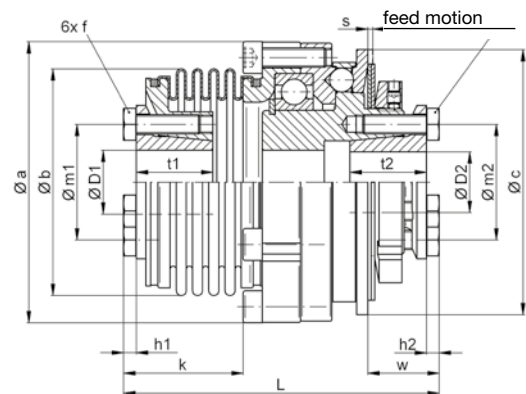
technical data:

SKY -KS size	setting range disengagement torque T_{KA} [Nm]	moment of inertia $[10^{-3}kgm^2]$	mass approx. [kg]	torsional stiffness [Nm/arcmin]	max. shaft mis-alignment [mm]		tightening torque of screws		\varnothing D1		\varnothing D2	
					axial \pm	lateral	f [Nm]	i [Nm]	min	max	min	max
6	2 - 6	0,12	0,5	2,1	0,5	0,15	M4[3]	M3[1,5]	6	16	5	12
12	6 - 12								6	16	5	12
15	8 - 15	0,44	0,98	9	0,5	0,2	M4[3]	M4[3]	9	19	9	17
30	13 - 30								9	19	9	17
45	22 - 45								10	19	10	17
60	25 - 60	1,4	1,9	20	0,6	0,2	M6[12]	M6[12]	12	24	12	24
100	40 - 100								12	24	12	24
150	60 - 150								14	24	14	24
230	80 - 230	5,1	3,9	28	0,8	0,2	M6[12]	M6[12]	18	35	18	35
330	130 - 330								22	35	22	35
500	200 - 500	12,5	6,7	52	0,8	0,2	M8[30]	M8[30]	28	42	28	42
800	350 - 800	14,6	7,7	106	0,7	0,2	M10[50]	M8[30]	30	48	30	42
1000	500 - 1000	58	16	150	0,8	0,2	M10[50]	M12[90]	40	60	42	65
2000	800 - 2000	69	18,5	240	1	0,3	M12[90]	M12[90]	42	70	42	65
3000	1500 - 3000	400	50	600	3	1,2	10xM12[70]	10xM10[50]	50	130	50	120
6000	3000 - 6000								50	130	50	120
9000	6000 - 9000								50	130	50	120

temperature range: -30°C up to +200°C

material:

- safety part: heat-treated steel
- conical hub: heat-treated steel
- bellows: stainless steel
- **screws: ISO 4762 / 12.9



Dimensions [mm]: length dimensions according to DIN ISO 2768 cH

SKY - KS	$\varnothing a$	$\varnothing b$	$\varnothing c$	h1	h2	k	L \pm 1	$\varnothing m1$	$\varnothing m2$	s	t1	t2	w
6/12	52,5	39,5	48	2,8	3	37,5	80	27	19	0,9	19	15	14
15/30/45	69	56	66	2,8	4	34,8	86	30	27	1,2	18	18	18
60/100/150	88	71	83	4	4	37,5	99	36	36	1,6	24	24	22
230/330	115	82	109	4	4	40	117	50	50	1,8	27	27	24
500	137	101	132	5,3	5,3	50	143	62	62	2,5	32,5	32	33
800	137	122	132	6,4	5,3	60	152	70	62	2,5	36	32	33
1000	181	132	185	6,4	7,5	69,5	192	83	90	3,7	44	45	64
2000	181	157	185	7,5	7,5	83	205	98	90	3,7	45	45	64
3000-9000	243	236	236	7,5	6,4	174	335	175	160	3,0	74	54	105

note: *alternative lengths possible on request
 sizes 3000-9000 with shrink disc on both sides - further details and options on request

order example: SKY-KS 500 - D1 = 38^{H7} - D2 = 32^{H7} - $T_{KA} = 400$ Nm



Safety Coupling I Series SKB-EK for direct drives

- /// with elastomer attachment
- /// with lateral clamping hub on both sides
- /// plug-in
- /// flexible
- /// backlash-free
- /// oscillation dampening

technical data:

SKB -EK size	setting range disengagement torque T_{KA} [Nm]	moment of inertia [10 ⁻³ kgm ²]	mass approx. [kg]	torsional stiffness [Nm/arcmin]	max. shaft mis- alignment [mm]		tightening torque of screws		\varnothing D1 min max		\varnothing D2 min max	
					axial±	lateral	f [Nm]	i [Nm]				
1	0,5 - 1	0,06	0,29	0,005	0,8	0,2	M2,5-1	M5-10	4	10	5	14
2	1 - 2											
6	2 - 6	0,13	0,44	0,25	0,5	0,1	M5-8	M5-10	8	20	6	16
12	6 - 12											
15	8 - 15	0,5	1	1	0,5	0,1	M6-14	M6-18	12	32	10	25,4
30	13 - 30											
45	22 - 45											
60	25 - 60											
100	40 - 100	1,5	2	1,2	1	0,1	M8-35	M8-40	19	38	18	35
150	60 - 150											
230	80 - 230	5,6	4,2	3,6	1	0,12	*M12-115(90)	M10-80	20	35(43)	24	42
330	130 - 330											
500	200 - 500	17	8,6	8	1	0,15	*M14-180(140)	M14-220	30	60(70)	28	58
800	350 - 800											
1000	500 - 1000	79	19,5	12	1	0,10	*M14-180(140)	M16-290	42	60(70)	42	100
2000	800 - 2000											

(*) note: reduced tightening torque for bigger hub bore diameter - see also \varnothing D 1max!

material:

safety part: heat treated steel

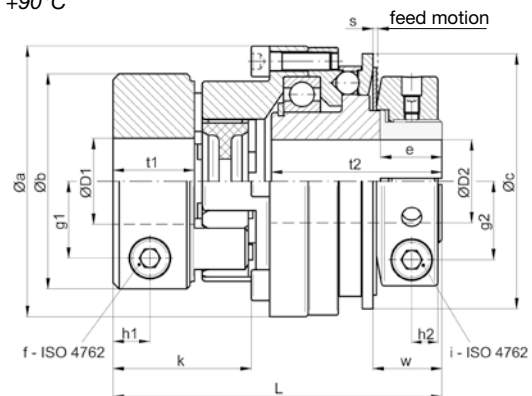
elastomer spider: polyurethane – 98 Shore A

clamping hub: high-tensile aluminum

screws: ISO 4762 / 12.9

(size 2000: tempered steel)

temperature range: -30°C up to +90°C



Dimensions [mm]: length dimensions according to DIN ISO 2768 cH

SKB-EK	Øa	Øb	Øc	e	g1	g2	h1	h2	k	L±1	s	t1	t2	w
1/2	40,5	20	42	14	6,5	13,5	5	6	28,5	65,5	0,8	10	33	14,6
6/12	52,5	40	48	14	13	13,5	8	6	33	77	0,9	17	41	16
15/30/45	69	55	66	16	20	19,5	10	7,5	39	91,5	1,2	21	48	18,5
60/100/150	88	70	83	20	25	25,5	12	8,5	45	107	1,6	26,5	55,5	22
230/330	115	85	109	23	29	32	14	10,5	54	134	1,8	31	72	26,5
500/800	137	120	132	32	44	42	18	13,5	71	167,5	2,5	38	87,5	37
1000	181	120	185	74	44	69	18	17/30	72	204	3,7	38	89	74
2000	181	160	185	76	55,5	69	21	17/30	84	219	3,7	42	89	77

*note: other shore hardnesses of elastomer spider are possible on request
coupling side with conical hub: see series SKB-ES

order example: SKB-EK 45 - D1 = 28^{G7} - D2 = 24^{H7} - T_{KA} = 35 Nm



Safety Coupling I Series SKY-ES for direct drives

// with elastomer attachment for direct drives // with conical clamping hub
 // plug-in // backlash-free // flexible // robust // oscillation dampening

technical data:

SKY -ES size	setting range		moment of inertia [10 ⁻³ kgm ²]	mass approx. [kg]	torsional stiffness [Nm/arcmin]	max. shaft alignment [mm]		tightening torque of screws		ø D1		ø D2	
	disengagement torque	T _{KA} [Nm]				axial ±	lateral	„f“ [Nm]	„i“ [Nm]	min	max	min	max
6	2	- 6	0,13	0,5	0,25	0,5	0,1	6xM4[4]	M3[1.5]	9	19	5	11,5
12	6	- 12								9	19	5	11,5
15	8	- 15	0,5	1,0	1,0	0,5	0,1	4xM5[8]	M4[3]	12	26	9	17
30	13	- 30								12	26	9	17
45	22	- 45	1,4	1,9	1,2	1	0,1	8xM5[8]	M6[12]	12	26	10	17
60	25	- 60								12	36	12	24
100	40	- 100	5,5	4,3	3,6	1	0,12	4xM8[35]	M6[12]	12	36	12	24
150	60	- 150								14	36	14	24
230	80	- 230	18,5	8,8	8	1	0,15	4xM12[115]	M8[30]	19	40	18	35
330	130	- 330								19	40	22	35
500	200	- 500	57	16	12	1	0,1	4xM12[115]	M12[90]	25	60	28	42
800	350	- 800								28	60	30	42
1000	500	- 1000	102	25,6	21	1	0,15	8xM12[115]	M12[90]	35	60	40	65
2000	800	- 2000								35	85	40	65

material:

safety part: heat-treated steel

hub: high-tensile aluminum

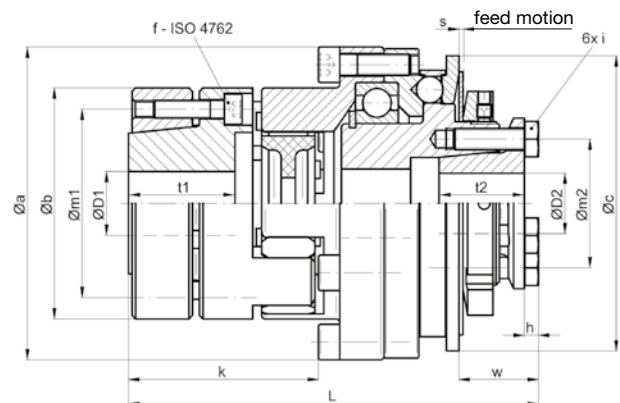
(size 2000: tempered steel)

clamping ring: heat treated steel

elastomer spider: polyurethane – 98 Shore A

screws: ISO 4762 / 12.9

temperature range: -30°C up to +90°C



Dimensions [mm]: length dimensions according to DIN ISO 2768 cH

SKY-ES	Øa	Øb	Øc	h	k	L±1	Øm1	Øm2	s	t1	t2	w
6/12	52,5	40	48	3	41	83	31	19	0,9	21	15	14
15/30/45	69	55	66	4	48	100	43	27	1,2	25	18	18
60/100/150	88	65	83	4	53,5	115,5	53	36	1,6	30	24	22
230/330	115	80	109	4	68	145,5	64	50	1,8	40	27	24
500/800	137	120	132	5,3	94	187	96	62	2,5	54	32	33
1000	181	120	185	7,5	95	218	96	98	3,7	54	45	64,5
2000	181	160	185	7,5	114	236,5	130	98	3,7	66	45	64,5

Note: elastomer spider optionally available with alternative shore hardness
coupling side with lateral clamping hub, see series SKY-EK

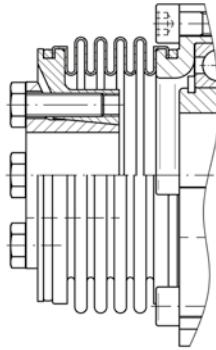
order example: SKY-ES 230 - D1 = 33^{H7} - D2 = 28^{H7} - T_{KA} = 200 Nm

Safety Couplings I Additional Series

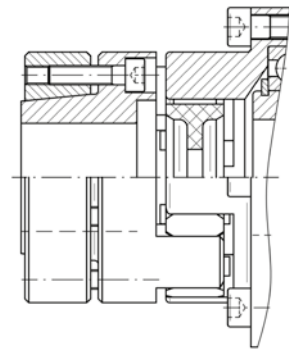
Series

- /// high clamping forces
- /// for smaller shaft diameters
- /// however: more difficult assembly
- /// with ES-hub: blind fitting possible
- /// dimensions on request
or see homepage:
www.jakobantriebstechnik.de

SKB-KS with conical clamping hub

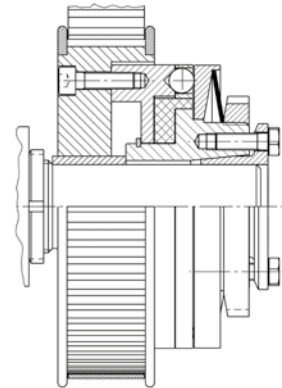


SKB-ES with conical clamping hub



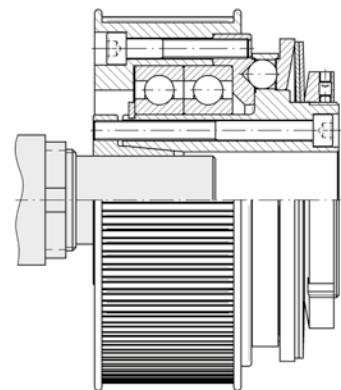
Series SKD/SBE/SK-F with special mechanism

- /// minimal residual torque
- /// re-engaging only by reverse rotation
- /// with separate sliding bearing (series SKD)
or integrated ball bearing (series SK-F)
- /// 10 sizes from 4 to 9.000 Nm



Series SKY with conical bush at bearing side with bearing tandem

- /// for very wide toothed belts or gear wheels
- /// for highest lateral loads
- /// compact mounting onto short shaft
- /// dimensions on request



Special series

- /// customized hub versions
and dimensions
- /// operating speeds up to 8.000 rpm
- /// special or stainless steel design
- /// special re-engaging functions
(e.g. for vertical drive axis)

-> please feel free to contact us

Product Overview | JAKOB Clamping Technology

Power Clamping Nut Series MCA

- /// 4 sizes up to 200 kN
- /// blind hole thread up to M64
- /// thread protected
- /// centered operation
- /// compact design



Power Clamping Nut Series MDA

- /// 2 sizes up to 180 kN
- /// through hole thread up to M48
- /// for variable clamping edges
- /// unlimited clamping stroke



Sectional Rail Couplings Series PKH / PKV

- /// self-locking, kinetic wedge-clamping
- /// pre-centering with alignment pins
- /// electrical clamping-condition control
- /// available in steel and aluminum designs



Power Clamping Screw Series SC

- /// 5 sizes up to 250 kN
- /// wedge clamping mechanism
- /// high clamping forces
- /// low tightening torques
- /// maximum operational safety



Spring Clamping Cylinder Series ZSF / ZDF

- /// numerous sizes up to 350 kN
- /// mechanical clamping
- /// hydraulic relasing
- /// high operational safety
- /// leak-proof, robust, economical
- /// temperature range: -30°C to +100°C
- /// fitting position in any direction



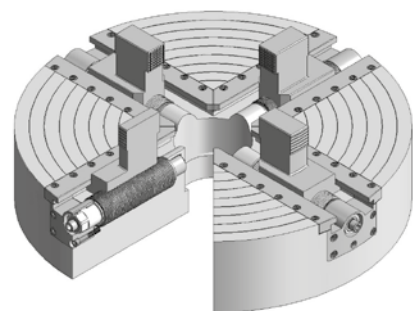
spring clamping cylinder Series ZSF (pulling)



spring clamping cylinder Series ZDF (pushing)

Power Clamping Screws mechanical type: Series MSP/MSPD hydraulic type: Series HSP

- /// nominal clamping forces up to 1,200 kN
- /// maximum operational safety
- /// large power clamping stroke
- /// simple operation and fitting
- /// very large clamping forces at low tightening torques



➔ please ask for our clamping elements catalog

OTT-Jakob Spanntechnik GmbH
Industriestr. 3-7 · 87663 Lengenwang
Fon: (+49) 8364 9821 0 · Fax: (+49) 8364 9821 10
info@ott-jakob.de · www.ott-jakob.de



Multitec-Jakob GmbH & Co. KG
Ressestr. 6 · 87459 Pfronten
Fon: (+49) 8363 9125 0 · Fax: (+49) 8363 9125 49
info@ts-jakob.de · www.ts-jakob.de



ALLMATIC-Jakob Spannsysteme GmbH
Jägermühle 10 · 87647 Unterthingau
Fon: (+49) 8377 929 0 · Fax: (+49) 8377 929 380
info@allmatic.de · www.allmatic.de



JAKOB Antriebstechnik GmbH
Daimler Ring 42 · 63839 Kleinwallstadt
Fon: (+49) 6022 2208 0 · Fax: (+49) 6022 2208 22
info@jakobantriebstechnik.de
www.jakobantriebstechnik.de



GPA-Jakob Pressenautomation GmbH
Greschbachstr. 15 · 76229 Karlsruhe
Fon: (+49) 721 6202 0 · Fax: (+49) 721 6202 222
info@gpa-jakob.de · www.gpa-jakob.de



OPTIMA Spanntechnik GmbH
Postfach 52 · 57584 Scheuerfeld
Fon: (+49) 2741 9789 0 · Fax: (+49) 2741 9789 10
info@optima-spanntechnik.de · www.optima-spanntechnik.de



JAKOB Vakuumtechnik GmbH
Daimler Ring 42 · 63839 Kleinwallstadt
Fon: (+49) 6022 2208 25 · Fax: (+49) 6022 2208 46
info@jakobvakuumtechnik.de · www.jakobvakuumtechnik.de